



Chipsmall Limited consists of a professional team with an average of over 10 year of expertise in the distribution of electronic components. Based in Hongkong, we have already established firm and mutual-benefit business relationships with customers from,Europe,America and south Asia,supplying obsolete and hard-to-find components to meet their specific needs.

With the principle of “Quality Parts,Customers Priority,Honest Operation,and Considerate Service”,our business mainly focus on the distribution of electronic components. Line cards we deal with include Microchip,ALPS,ROHM,Xilinx,Pulse,ON,Everlight and Freescale. Main products comprise IC,Modules,Potentiometer,IC Socket,Relay,Connector.Our parts cover such applications as commercial,industrial, and automotives areas.

We are looking forward to setting up business relationship with you and hope to provide you with the best service and solution. Let us make a better world for our industry!



## Contact us

Tel: +86-755-8981 8866 Fax: +86-755-8427 6832

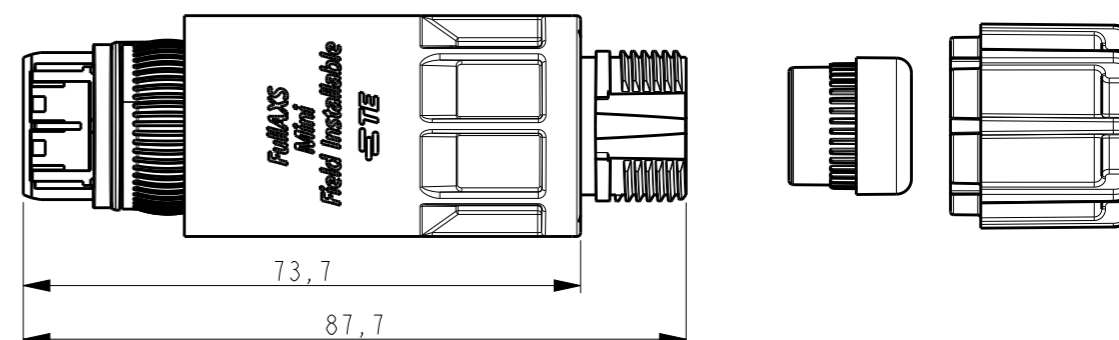
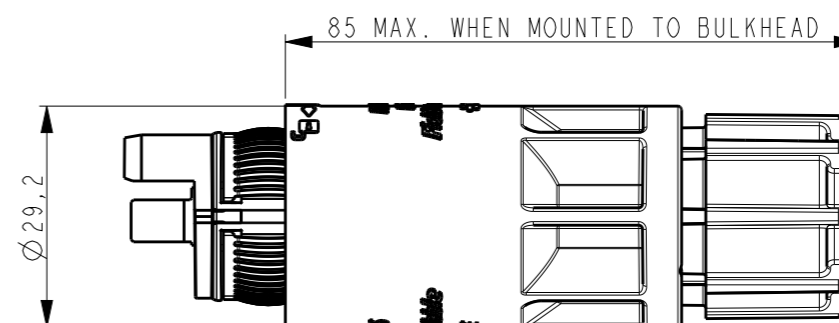
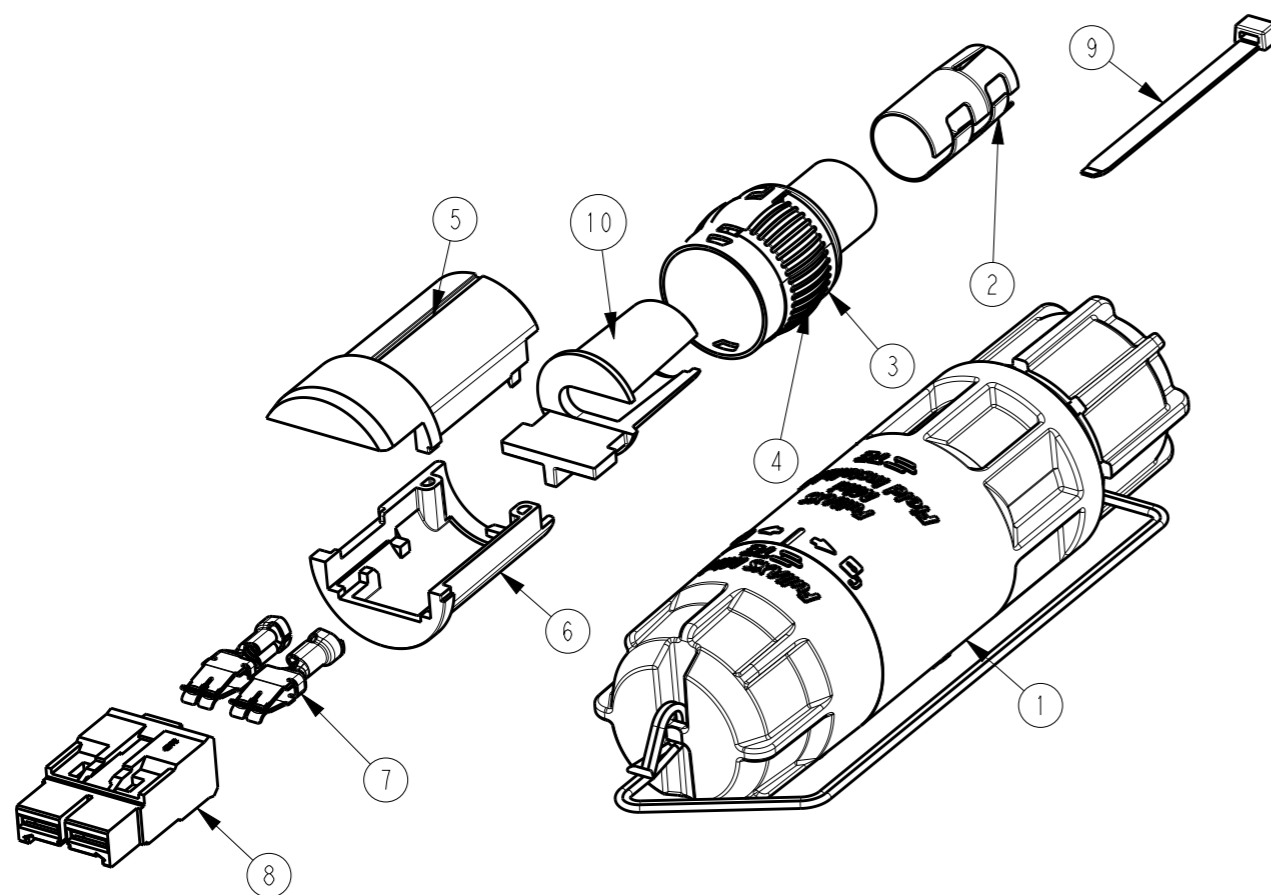
Email & Skype: info@chipsmall.com Web: www.chipsmall.com

Address: A1208, Overseas Decoration Building, #122 Zhenhua RD., Futian, Shenzhen, China



REVISIONS

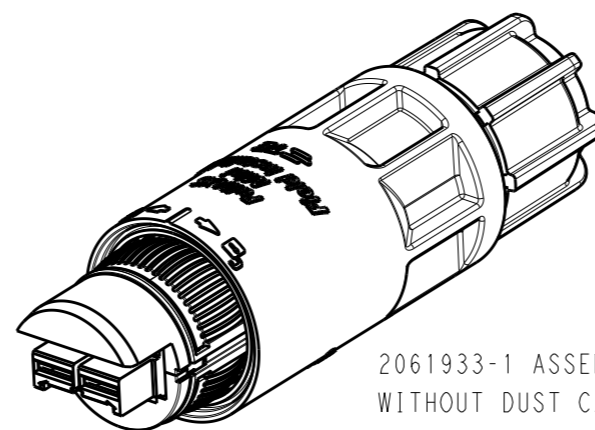
P	LTR	DESCRIPTION	DATE	DWN	APVD
	A	NEW RELEASE	02NOV2016	KZ	RS



TE Part Number	Cable Diameter
2061933-1	7.3 - 9.0 mm

NOTES:

1. THIS FullPOWER FIELD INSTALL ASSEMBLY KIT SHOULD BE USED WITH RUGGEDIZED CABLE AND RUGGED FAN-OUT CONSTRUCTION NO 900 MICRON TERMINATIONS TO BE USED
2. CABLE DIAMETER RANGE: SEE TABLE
3. THE FLAMMABILITY RATING OF THE MATERIAL IS UL94-V0
4. THE MATERIAL IS HALOGEN FREE ACCORDING IEC 60754-2
5. AN INSTRUCTION SHEET IS PACKED WITH EACH FIELD INSTALL KIT



2061933-1 ASSEMBLED  
WITHOUT DUST CAP

10	Spacer	1
9	Cable Tie	1
8	FullPOWER ET Power Housing	1
7	FullPOWER ET Power Timer Contact	3
6	FullPOWER Alignment Adapter Bottom	1
5	FullPOWER Alignment Adapter Top	1
4	FullPOWER Outer Ferrule	1
3	FullPOWER Ferrule spring	1
2	FullPOWER Inner Ferrule	1
1	FullPOWER MINI Field Install Sub-Assembly	1
Item	Description	Qty

THIS DRAWING IS A CONTROLLED DOCUMENT.

DIMENSIONS:	TOLERANCES UNLESS OTHERWISE SPECIFIED:
mm	
	0 PLC ±0,2
	1 PLC ±0,1
	2 PLC ±0,05
	3 PLC ±0,025
	4 PLC ±0,005
	ANGLES ±2°
MATERIAL	FINISH
-	-
-	-

DWN	R. COOLEN	09FEB2015
CHK	-	-
APVD	S. BORGAS	-
PRODUCT SPEC	-	-
APPLICATION SPEC	-	-
WEIGHT	-	-
CUSTOMER DRAWING		



NAME  
FullPOWER  
MINI FIELD INSTALL ASSEMBLY KIT

SIZE	CAGE CODE	DRAWING NO	RESTRICTED TO
A3	-	©-2061933	-
SCALE 1:1		SHEET 1 OF 1	REV A