



Chipsmall Limited consists of a professional team with an average of over 10 year of expertise in the distribution of electronic components. Based in Hongkong, we have already established firm and mutual-benefit business relationships with customers from,Europe,America and south Asia,supplying obsolete and hard-to-find components to meet their specific needs.

With the principle of “Quality Parts,Customers Priority,Honest Operation,and Considerate Service”,our business mainly focus on the distribution of electronic components. Line cards we deal with include Microchip,ALPS,ROHM,Xilinx,Pulse,ON,Everlight and Freescale. Main products comprise IC,Modules,Potentiometer,IC Socket,Relay,Connector.Our parts cover such applications as commercial,industrial, and automotives areas.

We are looking forward to setting up business relationship with you and hope to provide you with the best service and solution. Let us make a better world for our industry!



Contact us

Tel: +86-755-8981 8866 Fax: +86-755-8427 6832

Email & Skype: info@chipsmall.com Web: www.chipsmall.com

Address: A1208, Overseas Decoration Building, #122 Zhenhua RD., Futian, Shenzhen, China

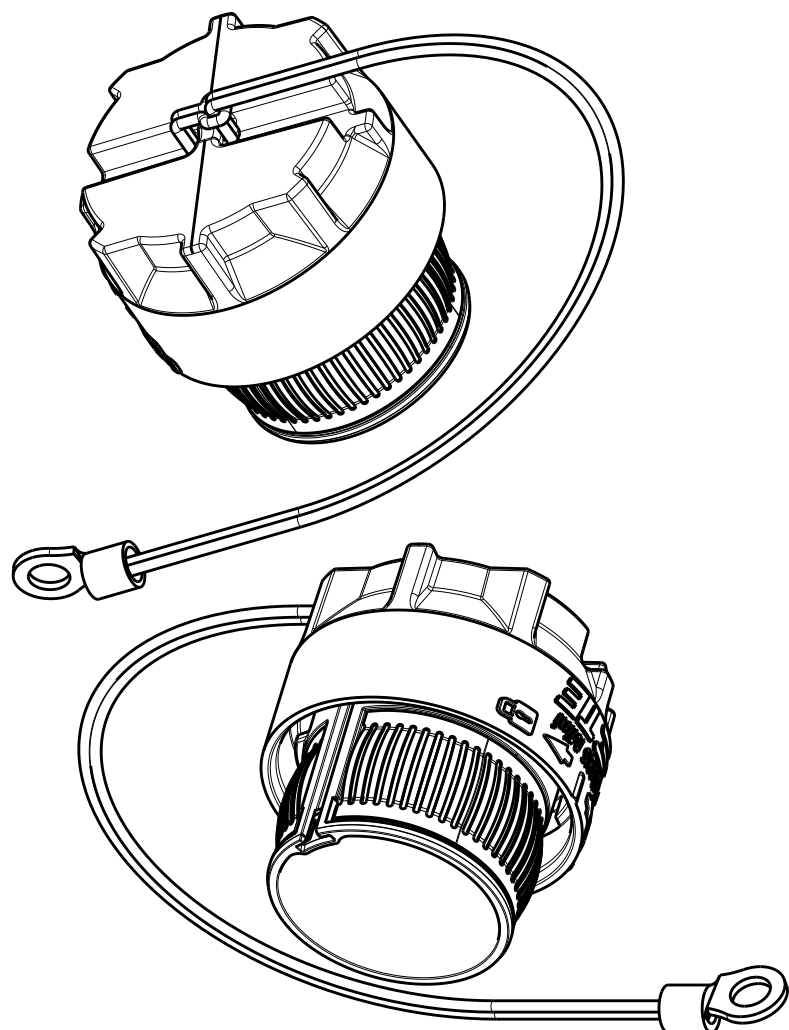


REVISIONS

P	LTR	DESCRIPTION	DATE	DWN	APVD
	2	INITIAL ISSUE	21APR2015	RC	SB

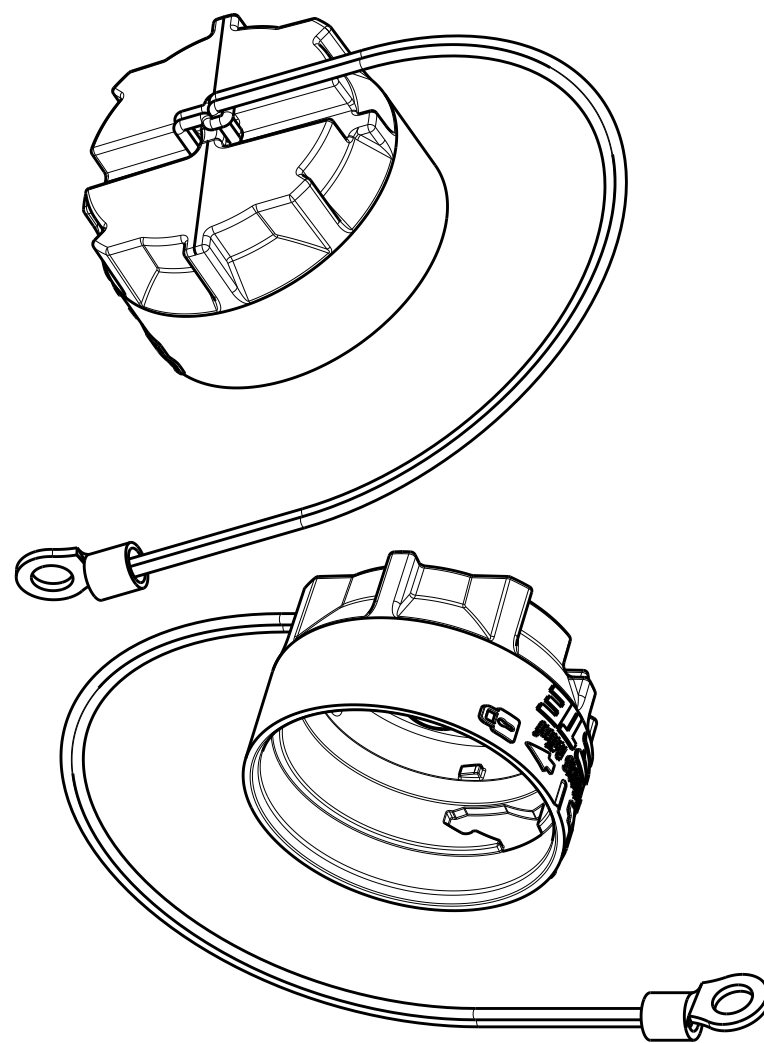
2061953-1 AS SHOWN

ASSEMBLED FULLAXS MINI BULKHEAD CAP WITH EMI SHIELD



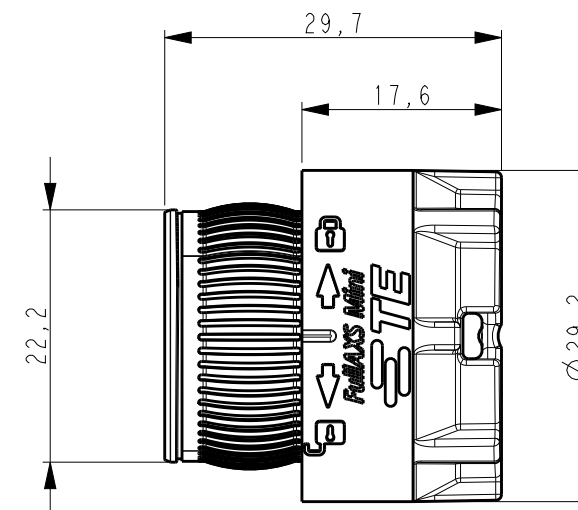
2061953-2 AS SHOWN

ASSEMBLED FULLAXS MINI BULKHEAD CAP



**PRELIMINARY PART
NOT RELEASED FOR PRODUCTION**

**THIS PRODUCT HAS NOT COMPLETED
VALIDATION TESTING**



NOTES:

- PACKAGING:
 - QTY TBD BULKHEADS PLACED INTO A ESD BAG OR TRAY, SEE NOTE 3
 - QTY TBD BAGS OR TRAYS PLACED INTO A SHIPPING BOX, SEE NOTE 3
- INFORMATION ON PACKAGING LABEL:
 - BARCODE
 - UNIQUE TE SERIAL NUMBER
 - TE CONNECTIVITY PART NUMBER & ORDER NUMBER
- FINAL PACKING METHOD AND QUANTITIES STILL TO BE DETERMINED

THIS DRAWING IS A CONTROLLED DOCUMENT.

DIMENSIONS:	TOLERANCES UNLESS OTHERWISE SPECIFIED:
mm	
	0 PLC ±0,2
	1 PLC ±0,1
	2 PLC ±0,05
	3 PLC ±0,025
	4 PLC ±0,005
	ANGLES ±2°
MATERIAL	FINISH
-	-
-	-

DWN	R. COOLEN	24MAR2015
CHK	B. MOOIJ	-
APVD	S. BORGAS	-
PRODUCT SPEC	-	-
APPLICATION SPEC	-	-
WEIGHT	-	-
Customer Drawing		

		TE Connectivity	
		NAME	
FULLAXS MINI BULKHEAD CAP			
SIZE	CAGE CODE	DRAWING NO	RESTRICTED TO
A3	-	©-2061953	-
SCALE		SHEET	REV
3:2		1 OF 1	A