



Chipsmall Limited consists of a professional team with an average of over 10 year of expertise in the distribution of electronic components. Based in Hongkong, we have already established firm and mutual-benefit business relationships with customers from,Europe,America and south Asia,supplying obsolete and hard-to-find components to meet their specific needs.

With the principle of “Quality Parts,Customers Priority,Honest Operation,and Considerate Service”,our business mainly focus on the distribution of electronic components. Line cards we deal with include Microchip,ALPS,ROHM,Xilinx,Pulse,ON,Everlight and Freescale. Main products comprise IC,Modules,Potentiometer,IC Socket,Relay,Connector.Our parts cover such applications as commercial,industrial, and automotives areas.

We are looking forward to setting up business relationship with you and hope to provide you with the best service and solution. Let us make a better world for our industry!



Contact us

Tel: +86-755-8981 8866 Fax: +86-755-8427 6832

Email & Skype: info@chipsmall.com Web: www.chipsmall.com

Address: A1208, Overseas Decoration Building, #122 Zhenhua RD., Futian, Shenzhen, China



THIS DRAWING IS UNPUBLISHED.

RELEASED FOR PUBLICATION

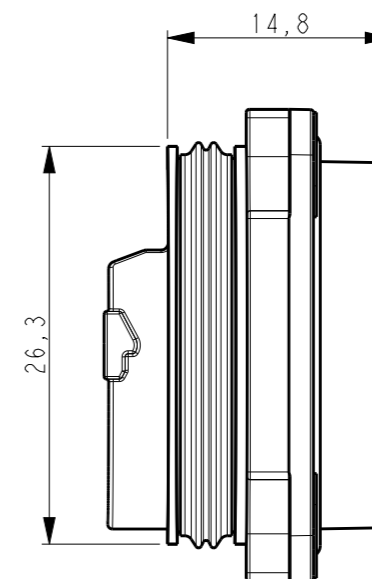
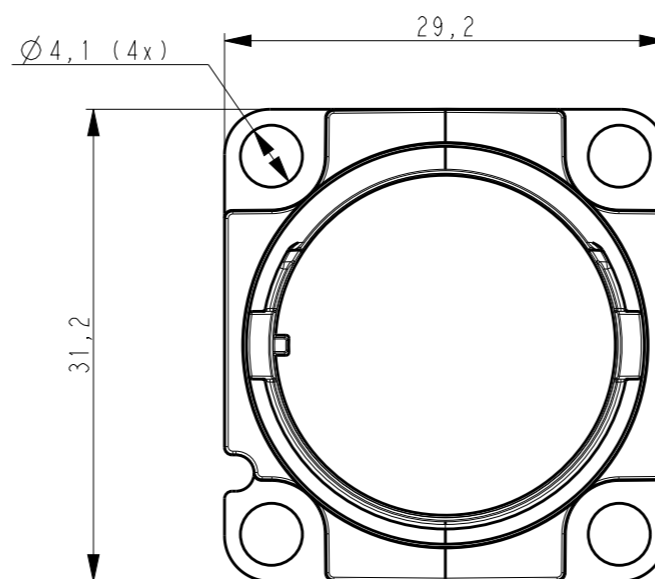
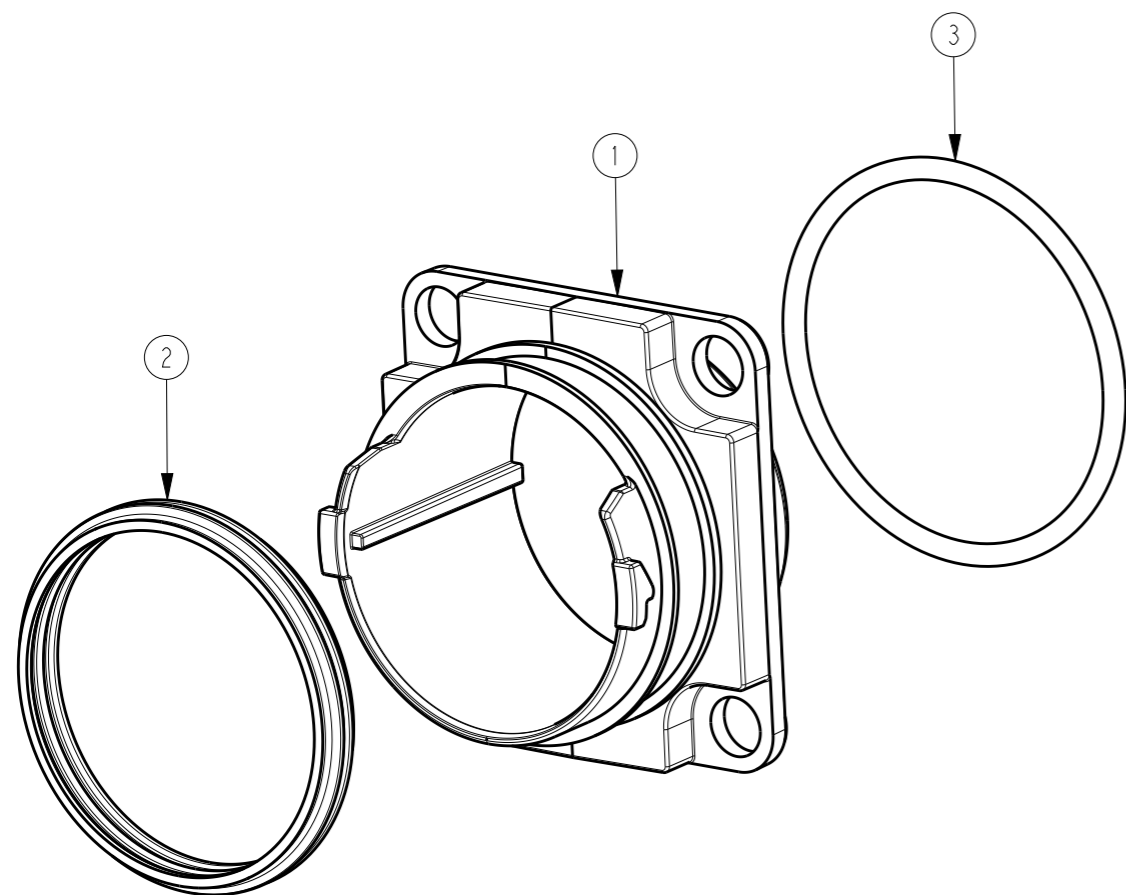
2014

© COPYRIGHT 2014 BY -

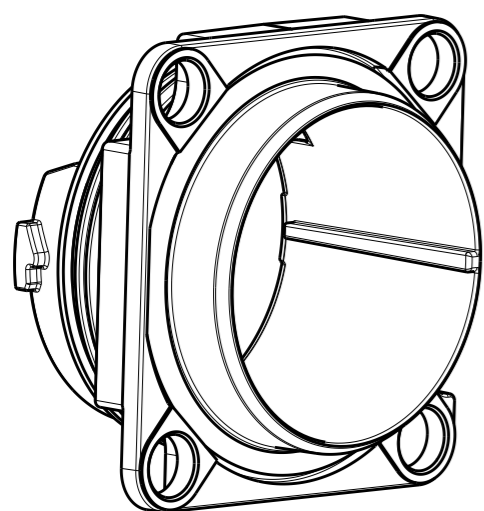
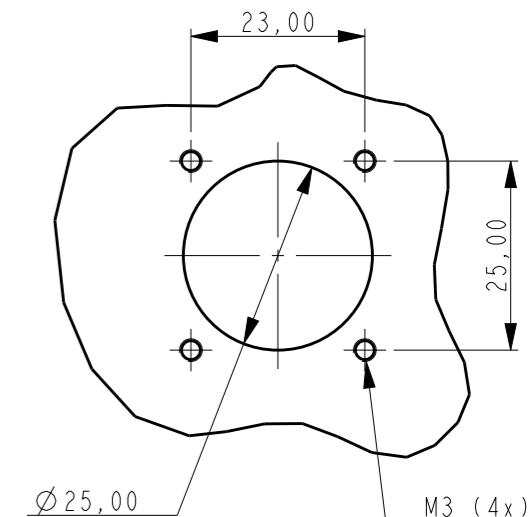
ALL RIGHTS RESERVED.

REVISIONS

P	LTR	DESCRIPTION	DATE	DWN	APVD
	A	RELEASE	02NOV2016	KZ	RS



Recommended panel cutout
Use correct screws
Scale 1:1



2061981-1 AS SHOWN

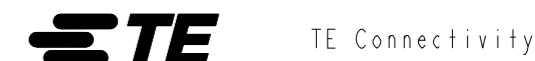
ASSEMBLED FULLAXS MINI BULKHEAD

1	FOAC FULLAXS MINI O-RING	3
1	FOAC FULLAXS MINI PERIPHERAL SEAL	2
1	FOAC FULLAXS MINI BULKHEAD, PLATED	1
Qty	Description	Item

THIS DRAWING IS A CONTROLLED DOCUMENT.

DIMENSIONS:		TOLERANCES UNLESS OTHERWISE SPECIFIED:	
mm			
	0 PLC	±0,2	
	1 PLC	±0,1	
	2 PLC	±0,05	
	3 PLC	±0,025	
	4 PLC	±0,005	
ANGLES		±2°	
MATERIAL		FINISH	
-		-	
-		-	

DWN	R. COOLEN	24MAR2015
CHK	B. MOOIJ	-
APVD	S. BORGAS	-
PRODUCT SPEC	-	
APPLICATION SPEC	-	
WEIGHT	-	
CUSTOMER DRAWING		



NAME				FULLAXS MINI BULKHEAD	
SIZE	CAGE CODE	DRAWING NO	RESTRICTED TO		
A3	-	©-2061981	-		
SCALE		SHEET	OF	REV	
2:1		1	1	A	