



Chipsmall Limited consists of a professional team with an average of over 10 year of expertise in the distribution of electronic components. Based in Hongkong, we have already established firm and mutual-benefit business relationships with customers from,Europe,America and south Asia,supplying obsolete and hard-to-find components to meet their specific needs.

With the principle of “Quality Parts,Customers Priority,Honest Operation,and Considerate Service”,our business mainly focus on the distribution of electronic components. Line cards we deal with include Microchip,ALPS,ROHM,Xilinx,Pulse,ON,Everlight and Freescale. Main products comprise IC,Modules,Potentiometer,IC Socket,Relay,Connector.Our parts cover such applications as commercial,industrial, and automotives areas.

We are looking forward to setting up business relationship with you and hope to provide you with the best service and solution. Let us make a better world for our industry!



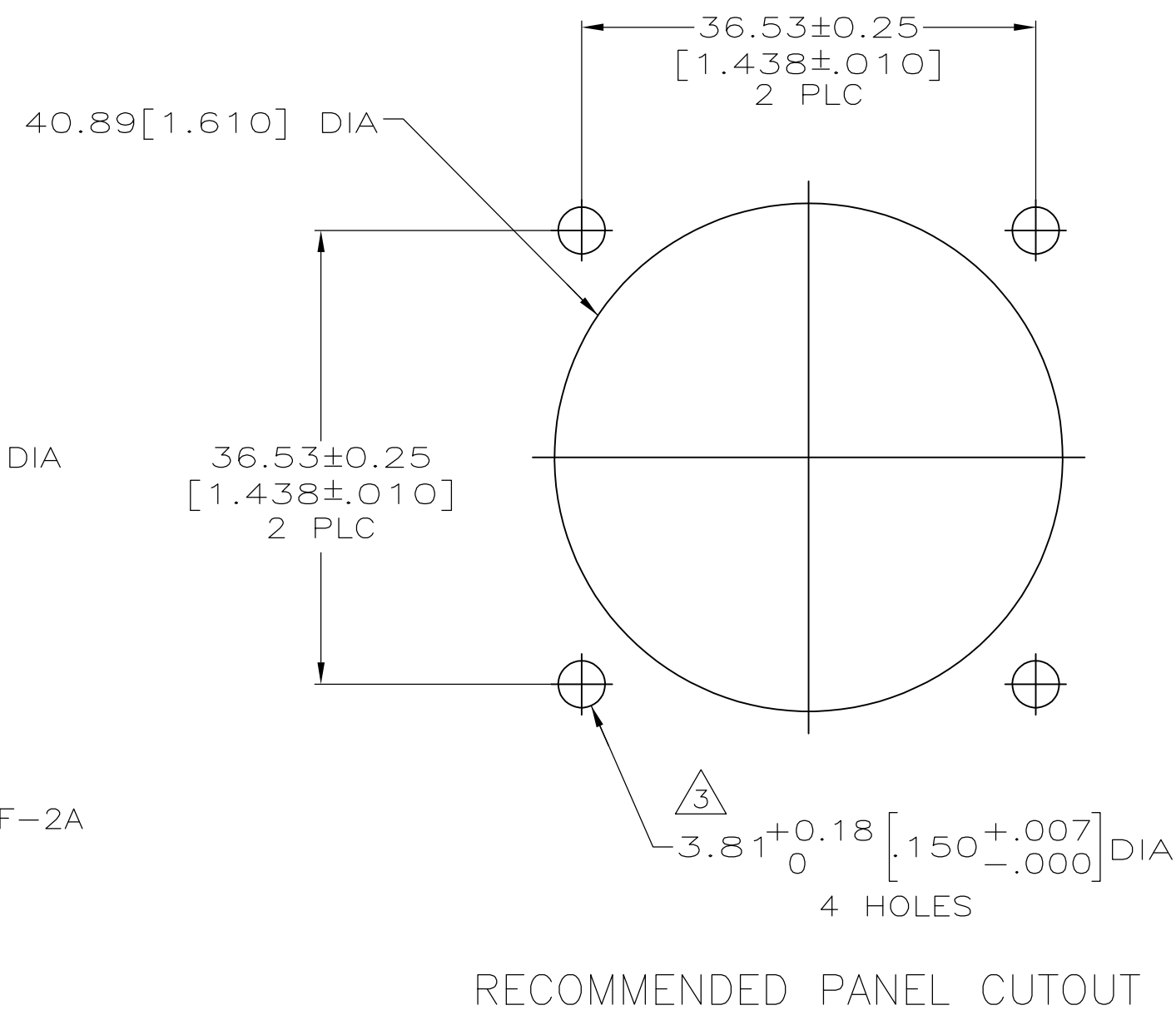
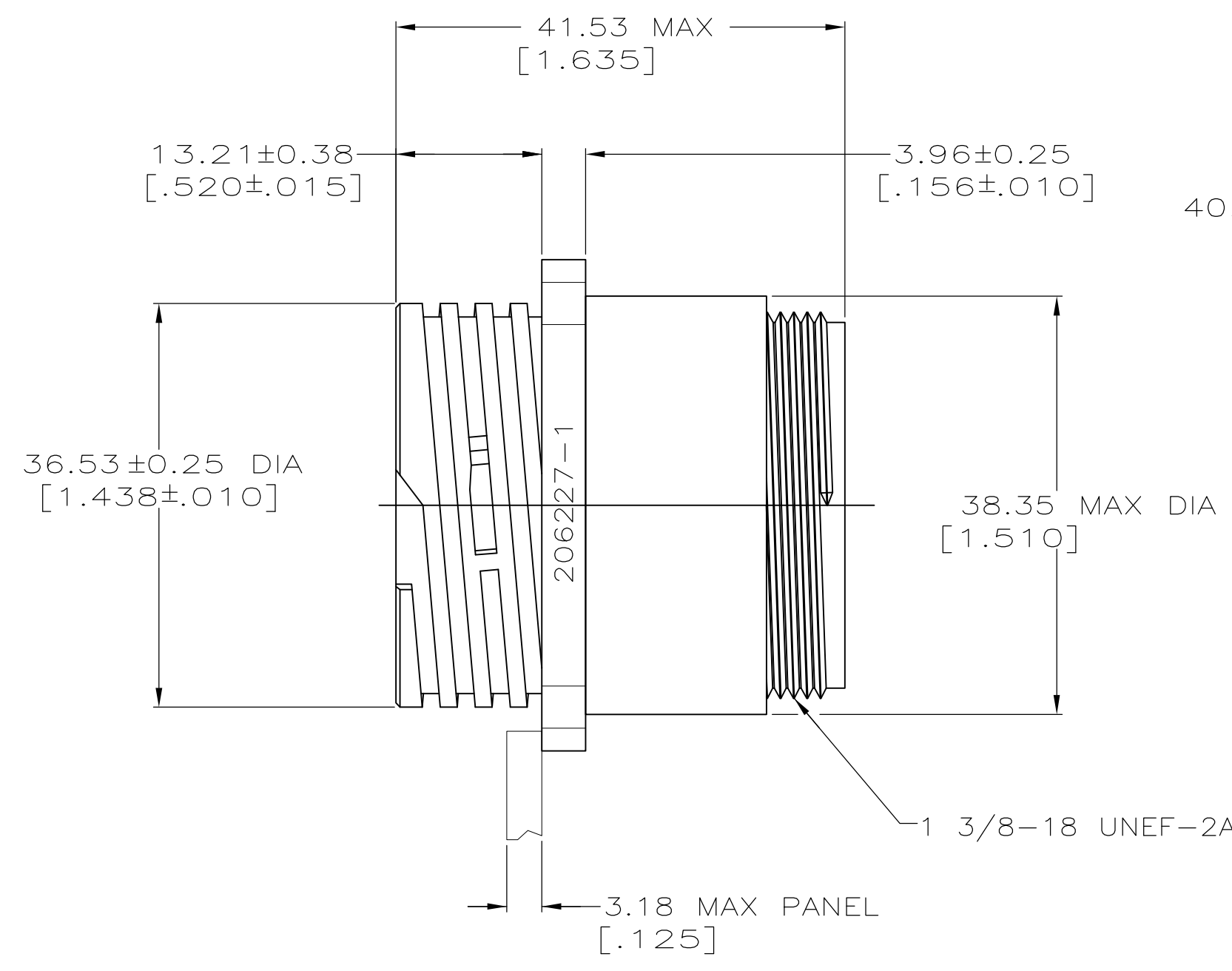
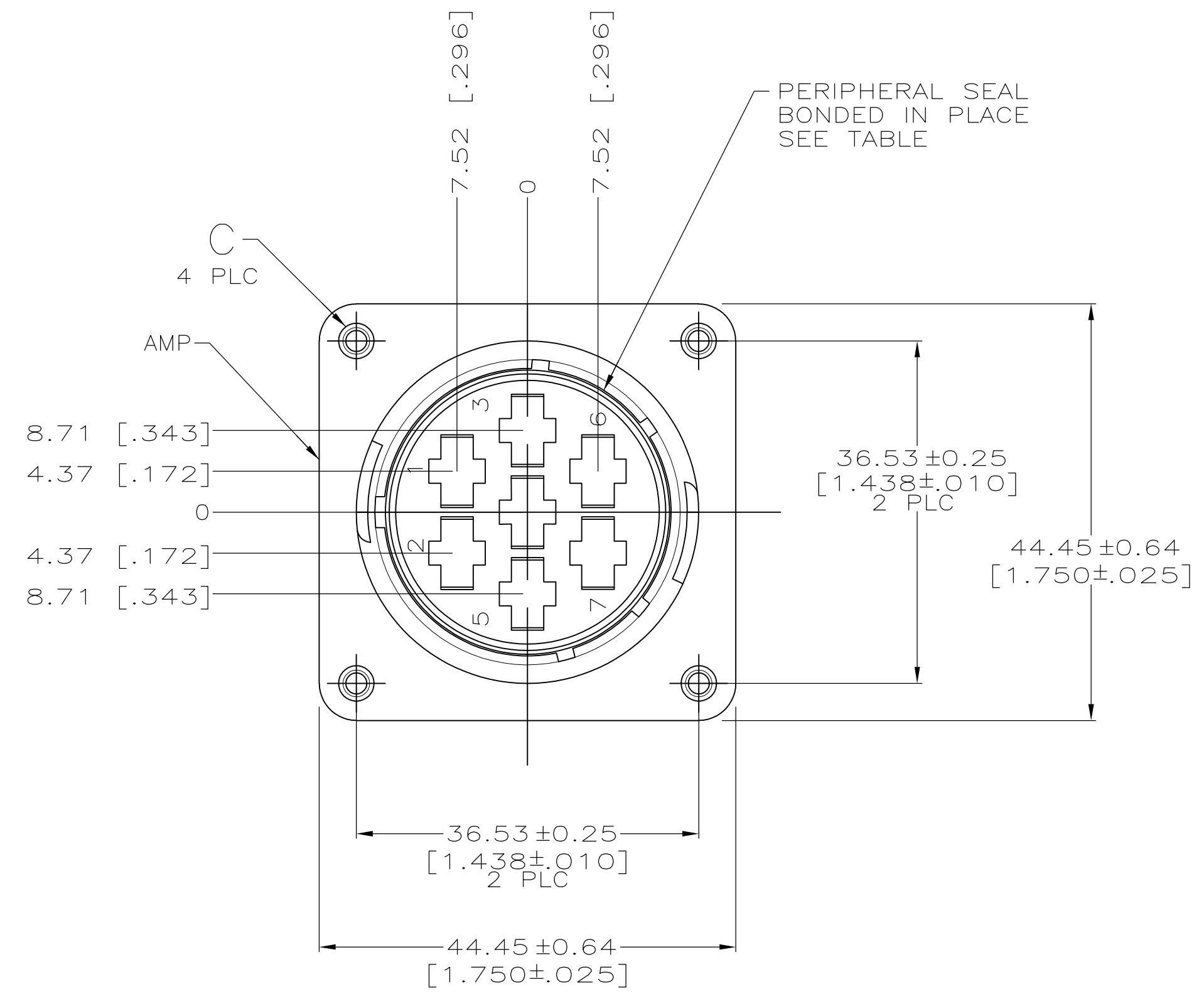
Contact us

Tel: +86-755-8981 8866 Fax: +86-755-8427 6832

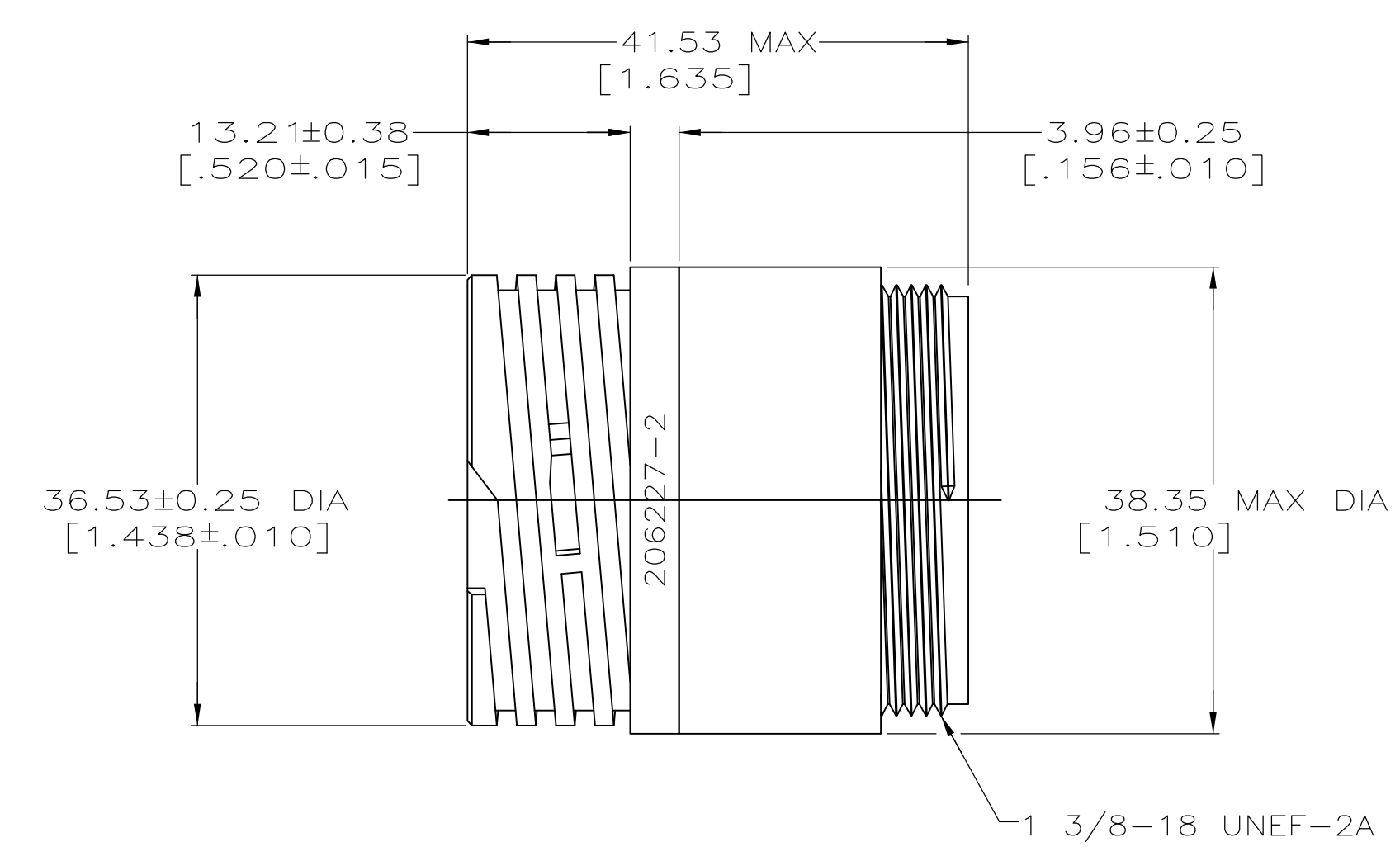
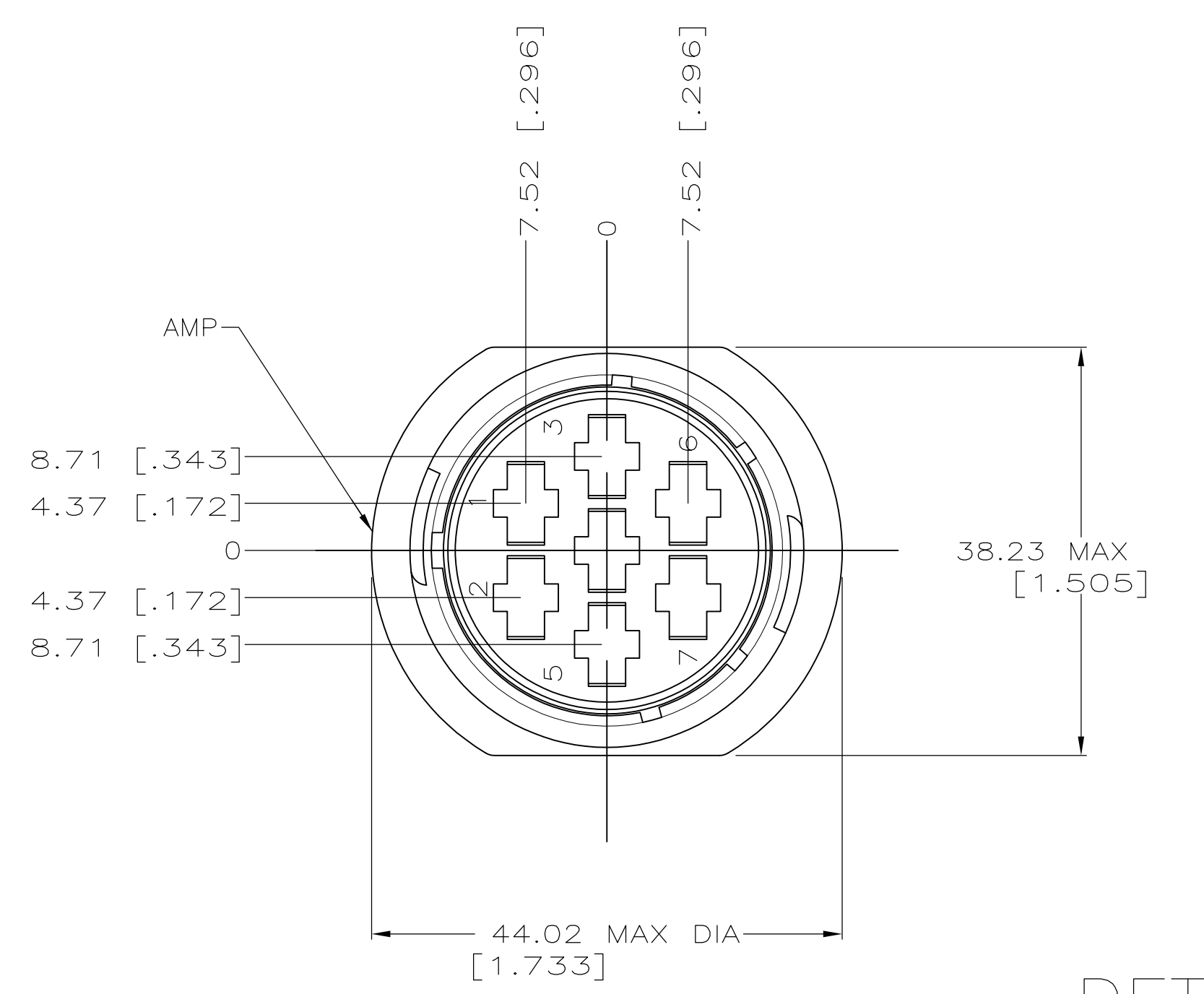
Email & Skype: info@chipsmall.com Web: www.chipsmall.com

Address: A1208, Overseas Decoration Building, #122 Zhenhua RD., Futian, Shenzhen, China





DETAIL A



DETAIL B

1. CAVITY IDENTIFICATION ON FRONT AND REAR FACE.
 2. WILL ACCEPT SEVEN (7) TYPE XII SOCKET CONTACTS.
- ⚠ #4 FASTENER RECOMMENDED FOR MOUNTING.
- ⚠ OBSOLETE PARTS: OBSOLETE CIS STREAMLINING PER D.RENAUD/D.SINISI

⚠ OBSOLETE	4-40 THREADED INSERTS	NO	A	206227-6
	3.81±0.08 [.150±.003]	YES	A	206227-5
	3.81±0.08 [.150±.003]	NO	B	206227-2
	3.81±0.08 [.150±.003]	NO	A	206227-1
C		PERIPHERAL SEAL	SEE DETAIL	PART NUMBER
THIS DRAWING IS A CONTROLLED DOCUMENT.		DWN D.HARDY 05/31/94	STE TE Connectivity	
DIMENSIONS: INCHES		TOLERANCES UNLESS OTHERWISE SPECIFIED:	CHK W.G.LENKER 06/08/94	APVD A.FRANTUM 07/13/94
0 PLC ± -		1 PLC ± -	NAME RECEPTACLE HOUSING, REVERSE SEX, SHELL SIZE 23, CPC	
1 PLC ± -		2 PLC ± 0.13 [.005]	PRODUCT SPEC 108-10024	
2 PLC ± -		3 PLC ± -	APPLICATION SPEC	
3 PLC ± -		4 PLC ± -	SIZE CAGE CODE DRAWING NO RESTRICTED TO	
4 PLC ± -		ANGLES ± -	A1 00779 C=206227	
MATERIAL NYLON, BLACK		FINISH -	WEIGHT -	
CUSTOMER DRAWING		SCALE 2:1	SHEET 1 OF 1 REV M2	