



Chipsmall Limited consists of a professional team with an average of over 10 year of expertise in the distribution of electronic components. Based in Hongkong, we have already established firm and mutual-benefit business relationships with customers from,Europe,America and south Asia,supplying obsolete and hard-to-find components to meet their specific needs.

With the principle of "Quality Parts,Customers Priority,Honest Operation,and Considerate Service",our business mainly focus on the distribution of electronic components. Line cards we deal with include Microchip,ALPS,ROHM,Xilinx,Pulse,ON,Everlight and Freescale. Main products comprise IC,Modules,Potentiometer,IC Socket,Relay,Connector.Our parts cover such applications as commercial,industrial, and automotives areas.

We are looking forward to setting up business relationship with you and hope to provide you with the best service and solution. Let us make a better world for our industry!



Contact us

Tel: +86-755-8981 8866 Fax: +86-755-8427 6832

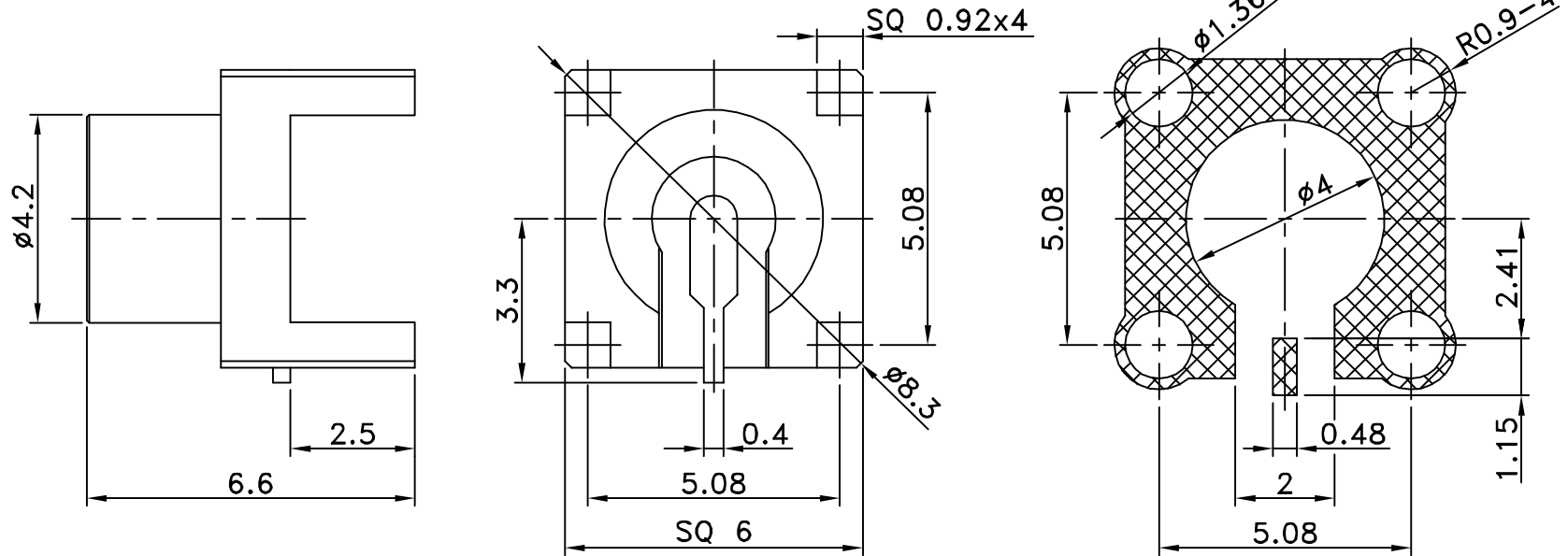
Email & Skype: info@chipsmall.com Web: www.chipsmall.com

Address: A1208, Overseas Decoration Building, #122 Zhenhua RD., Futian, Shenzhen, China



REV	DESCRIPTION\PER REQUEST	DRAWN	DATE

Frequency:0~40GHz
VSWR:1.2 Max.



NOTES: FINISH (PLATING THICKNESS IN MICRO-INCHES)
 1.GOLD PL. 3 MIN. THICK OVER NICKEL PL. 70 MIN. THICK OVER COPPER STRIKE
 2.GOLD PL. 30 MIN. THICK OVER NICKEL PL. 70 MIN. THICK OVER COPPER STRIKE

RECOMMENDED MOUNTING PATTERN

PART NO. 2062AL12111					* MAJOR DIMENSION			Bomar Interconnect Products, Inc	
3	Dielectric	1	Teflon	None	APPROVED	DATE	UNLESS OTHERWISE NOTED TOLERANCES 0.5-6=±0.2 6-30=±0.4 30-120=±0.6 120-315=±1.0 ANGLES=±1°		
2	Pin	1	Brass	NOTE 2	CHECKED	DATE			
1	Body	1	Brass	NOTE 1	DRAWN	DATE			
NO	Description	Q'ty	Material	Finish					
					DATE 09/10/12		TITLE SMP SMT PLUG(Limited Detent)		
					DATE 09/10/12		DRAWING NO. ASSMP-43002-TGG		REV B
					DATE 09/10/12		FILE NO. W:\AS\ASSMP\ASSMP-43002-TGG Bomar->20120911		
					DRAWN Kai		SCALE 8/1	UNIT mm	