



Chipsmall Limited consists of a professional team with an average of over 10 year of expertise in the distribution of electronic components. Based in Hongkong, we have already established firm and mutual-benefit business relationships with customers from,Europe,America and south Asia,supplying obsolete and hard-to-find components to meet their specific needs.

With the principle of "Quality Parts,Customers Priority,Honest Operation,and Considerate Service",our business mainly focus on the distribution of electronic components. Line cards we deal with include Microchip,ALPS,ROHM,Xilinx,Pulse,ON,Everlight and Freescale. Main products comprise IC,Modules,Potentiometer,IC Socket,Relay,Connector.Our parts cover such applications as commercial,industrial, and automotives areas.

We are looking forward to setting up business relationship with you and hope to provide you with the best service and solution. Let us make a better world for our industry!



Contact us

Tel: +86-755-8981 8866 Fax: +86-755-8427 6832

Email & Skype: info@chipsmall.com Web: www.chipsmall.com

Address: A1208, Overseas Decoration Building, #122 Zhenhua RD., Futian, Shenzhen, China



THIS DRAWING IS UNPUBLISHED.

RELEASED FOR PUBLICATION

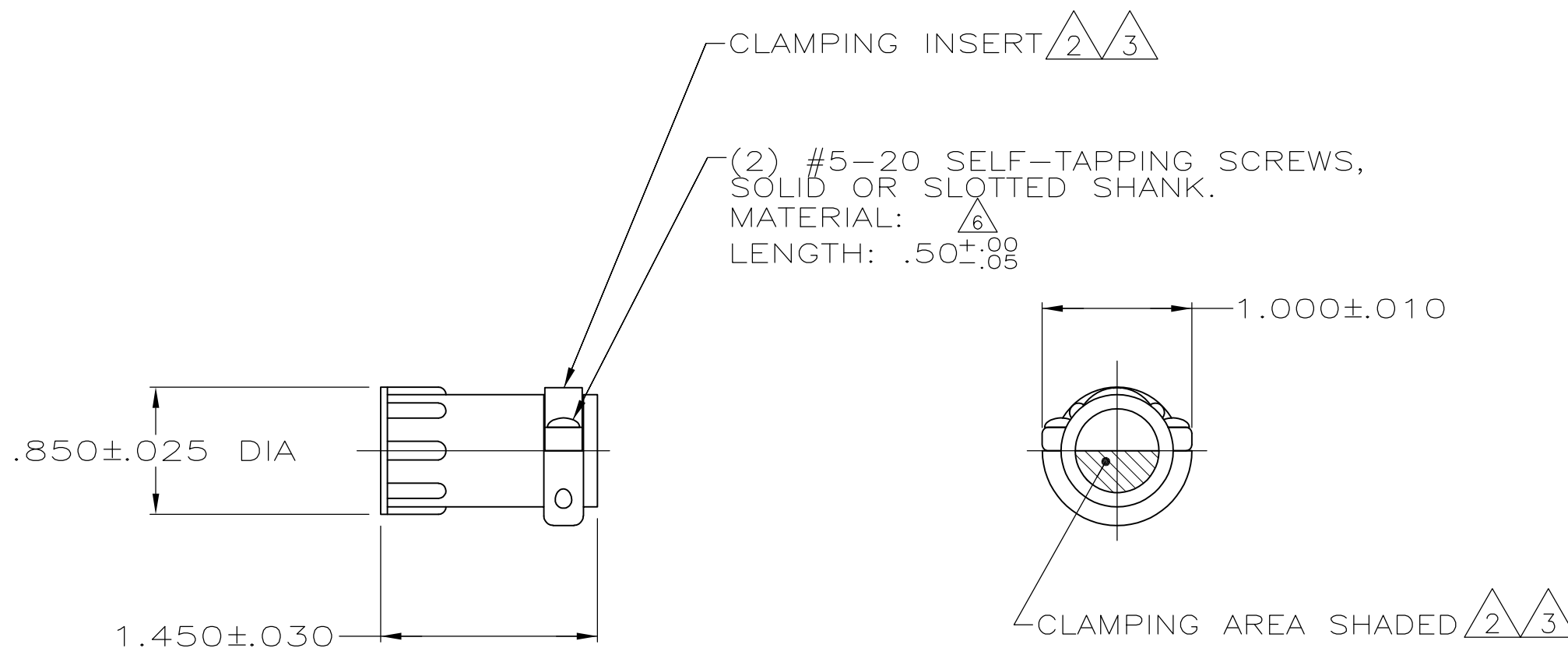
ALL RIGHTS RESERVED.

LOC
BD

DIST
0

REVISIONS

P	LTR	DESCRIPTION	DATE	DWN	APVD
	N1	REVISED PER ECO-11-004820	11MAR11	RK	HMR



1 PARTS PACKAGED UNASSEMBLED.

$\triangle 2$ CABLE CLAMPING AREA ADJUSTABLE FROM .010 TO .161 SQ IN BY REVERSING CLAMPING INSERTS. (2 INSERTS SUPPLIED, -1 AND -2 ONLY)

$\triangle 3$ CABLE CLAMPING AREA ADJUSTABLE FROM .010 TO .161 SQ IN BY CHANGING CLAMPING INSERTS. (4 INSERTS SUPPLIED, -3 ONLY)

4 .453 MAXIMUM CABLE OUTSIDE DIAMETER.

$\triangle 5$ BULK PACKAGED KITS TO BE ORDERED IN MULTIPLES OF 200 ONLY.

$\triangle 6$ STEEL, ZINC PLATE WITH NON-HEXAVALENT CHROMATE.

PACKAGING	PART NUMBER
$\triangle 6$ $\triangle 5$ BULK	206358-6
$\triangle 6$ INDIVIDUAL	206358-5
$\triangle 6$ INDIVIDUAL	206358-4
OBSOLETE $\triangle 5$ BULK	206358-3
$\triangle 6$ SUPERSEDED BY 206358-6 $\triangle 5$ BULK	206358-2
$\triangle 6$ SUPERSEDED BY 206358-5 INDIVIDUAL	206358-1

THIS DRAWING IS A CONTROLLED DOCUMENT.		DWN A GRAFF 4/23/91	TE Connectivity CABLE CLAMP KIT, LARGE, SHELL SIZE 11, CPC														
DIMENSIONS: INCHES		CHK W.G.LENKER 7-23-92															
TOLERANCES UNLESS OTHERWISE SPECIFIED:		APVD -	NAME														
<table border="0"> <tr><td>0 PLC</td><td>± -</td></tr> <tr><td>1 PLC</td><td>± -</td></tr> <tr><td>2 PLC</td><td>± -</td></tr> <tr><td>3 PLC</td><td>± -</td></tr> <tr><td>4 PLC</td><td>± -</td></tr> <tr><td>ANGLES</td><td>± -</td></tr> </table>		0 PLC	± -	1 PLC	± -	2 PLC	± -	3 PLC	± -	4 PLC	± -	ANGLES	± -	PRODUCT SPEC 108-10024	RESTRICTED TO		
0 PLC	± -																
1 PLC	± -																
2 PLC	± -																
3 PLC	± -																
4 PLC	± -																
ANGLES	± -																
MATERIAL THERMOPLASTIC		FINISH -	APPLICATION SPEC -	SIZE A3	CAGE CODE 00779	DRAWING NO C-206358											
CUSTOMER DRAWING			WEIGHT -	SCALE NTS	SHEET 1 OF 1	REV N1											