



Chipsmall Limited consists of a professional team with an average of over 10 year of expertise in the distribution of electronic components. Based in Hongkong, we have already established firm and mutual-benefit business relationships with customers from,Europe,America and south Asia,supplying obsolete and hard-to-find components to meet their specific needs.

With the principle of “Quality Parts,Customers Priority,Honest Operation,and Considerate Service”,our business mainly focus on the distribution of electronic components. Line cards we deal with include Microchip,ALPS,ROHM,Xilinx,Pulse,ON,Everlight and Freescale. Main products comprise IC,Modules,Potentiometer,IC Socket,Relay,Connector.Our parts cover such applications as commercial,industrial, and automotives areas.

We are looking forward to setting up business relationship with you and hope to provide you with the best service and solution. Let us make a better world for our industry!



Contact us

Tel: +86-755-8981 8866 Fax: +86-755-8427 6832

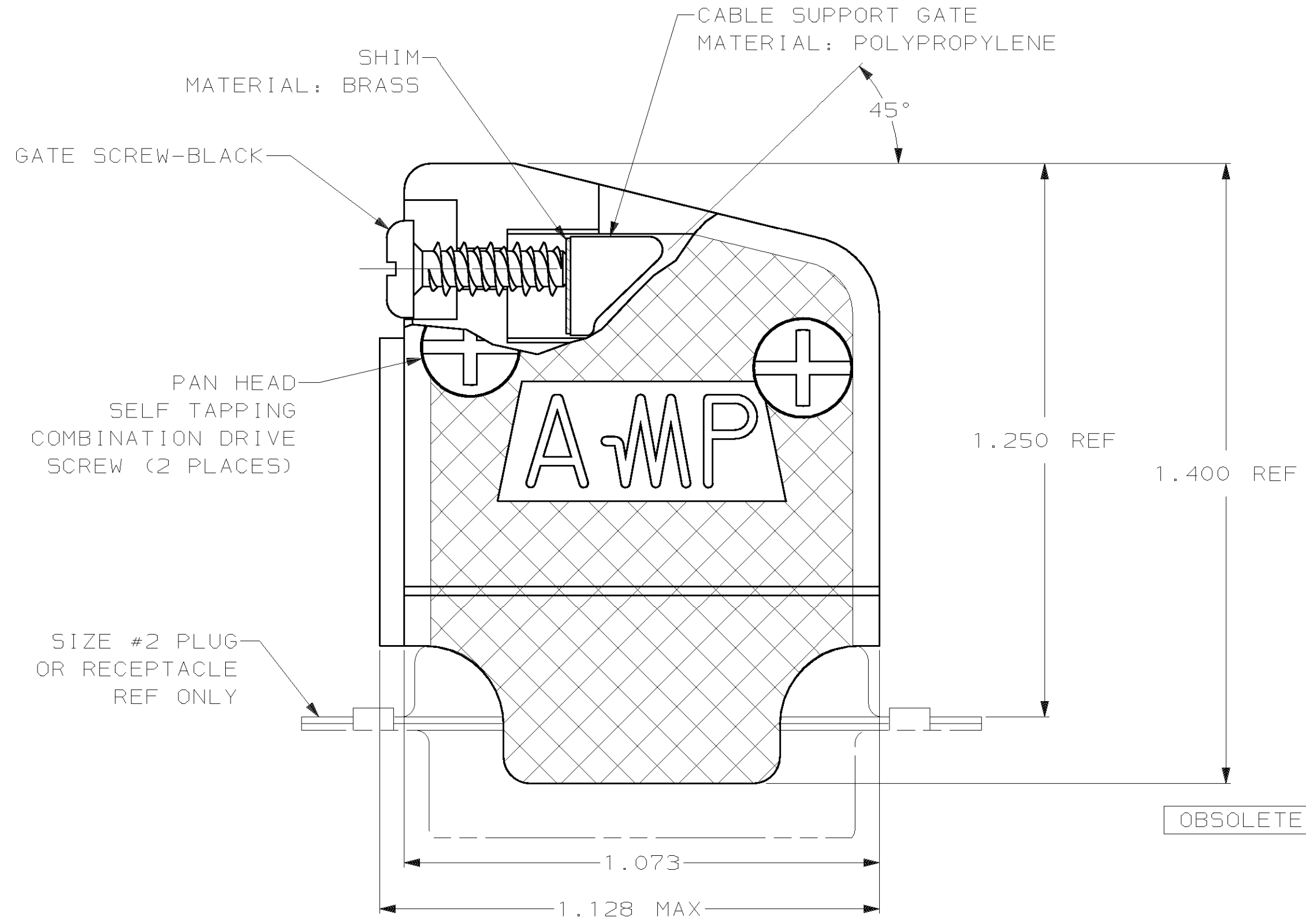
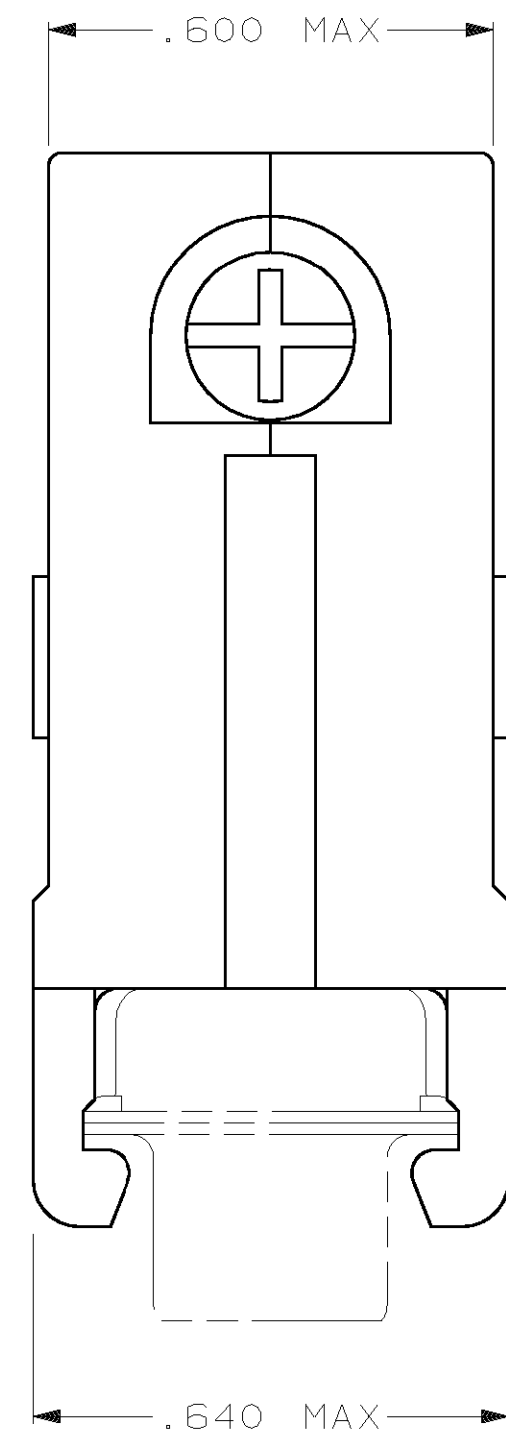
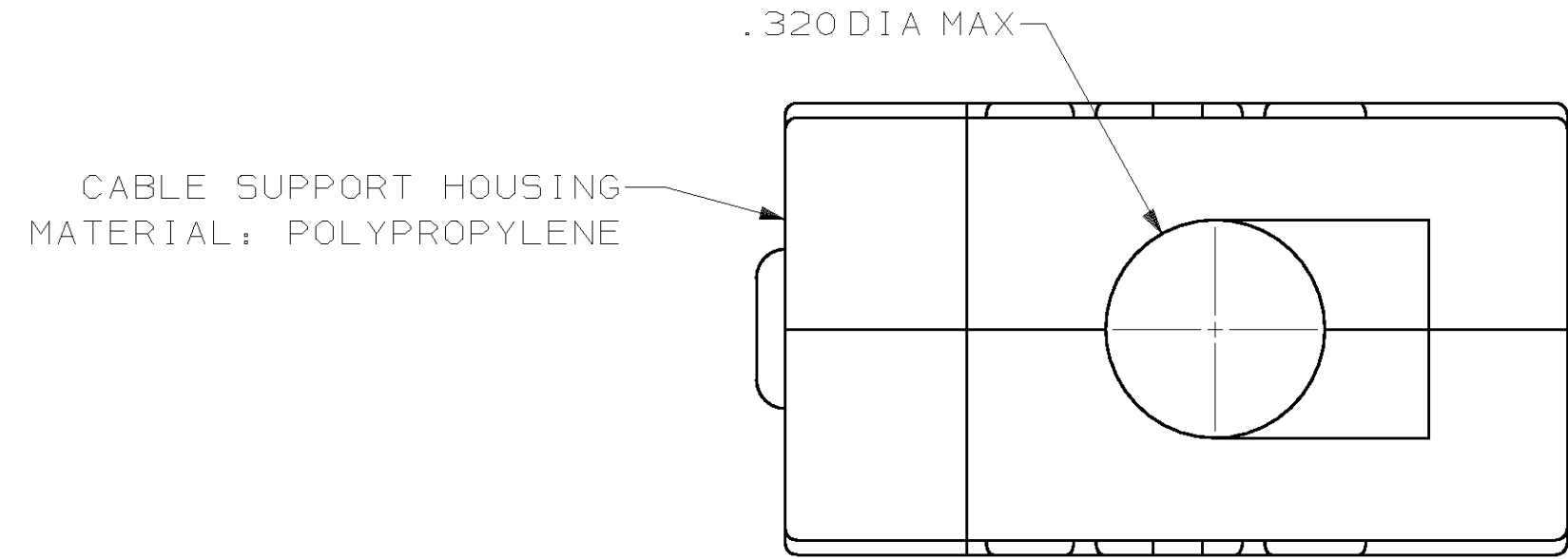
Email & Skype: info@chipsmall.com Web: www.chipsmall.com

Address: A1208, Overseas Decoration Building, #122 Zhenhua RD., Futian, Shenzhen, China



THIS DRAWING IS UNPUBLISHED. RELEASED FOR PUBLICATION ,19 .
 © COPYRIGHT 19 BY AMP INCORPORATED. ALL INTERNATIONAL RIGHTS RESERVED.

LOC	DIST	P	F	ZONE	LTR	DESCRIPTION	DATE	APPD
BD	48				F	REDRAWN ON CAD	5-2-90	-
					G	OBS -3 PER ECN BD6420	07/20/92	RM
					H	REV PER EC 0U1D-0106-99	11 NOV 99	DK



OBSOLETE	AS SHOWN	206393-3
		206393-1
	PACKAGING	PART NUMBER

1. PARTS ARE PACKAGED UNASSEMBLED.

2 COMPONENTS INDIVIDUALLY BULK PACKED & SHIPPED AS A UNIT PACKAGE KIT.

DO NOT SCALE PRINT. UNLESS SPECIFIED DIMENSIONS IN INCHES TOLERANCES ON :	DR 5-2-90 J GALLUCCI BG	AMP INCORPORATED Harrisburg, Pa. 17105	
2 PLC DEC ± -	CHK 6-15-90 W.G.LENKER		
3 PLC DEC ± .005	APPD 7-9-90 J.E.WESTMAN	NAME	
ANGLES ± -	APPD 7-16-90 J.ASSINI	SELF TAPPING 45°/180° CABLE SUPPORT CLAMSHELL, SIZE 2 ASSEMBLY, AMPLIMITE™ HD-20	
MATERIAL	PRODUCT SPEC	SIZE	FSCM NO
SEE CALOUT	-	C	00779
FINISH	APPLICATION SPEC	SCALE	DRAWING NO
-	-	4:1	206393
	WEIGHT		SHEET
	-		1 OF 1