



Chipsmall Limited consists of a professional team with an average of over 10 year of expertise in the distribution of electronic components. Based in Hongkong, we have already established firm and mutual-benefit business relationships with customers from,Europe,America and south Asia,supplying obsolete and hard-to-find components to meet their specific needs.

With the principle of “Quality Parts,Customers Priority,Honest Operation,and Considerate Service”,our business mainly focus on the distribution of electronic components. Line cards we deal with include Microchip,ALPS,ROHM,Xilinx,Pulse,ON,Everlight and Freescale. Main products comprise IC,Modules,Potentiometer,IC Socket,Relay,Connector.Our parts cover such applications as commercial,industrial, and automotives areas.

We are looking forward to setting up business relationship with you and hope to provide you with the best service and solution. Let us make a better world for our industry!



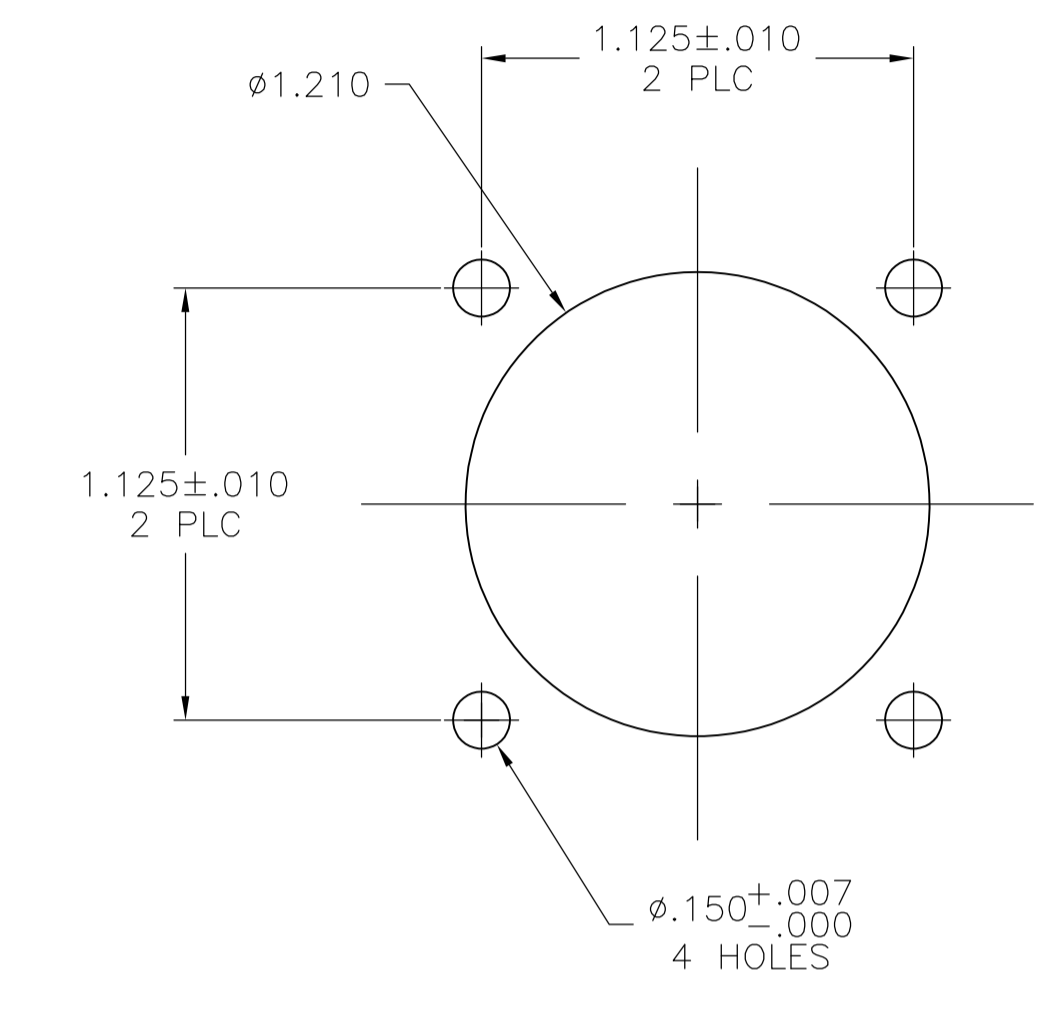
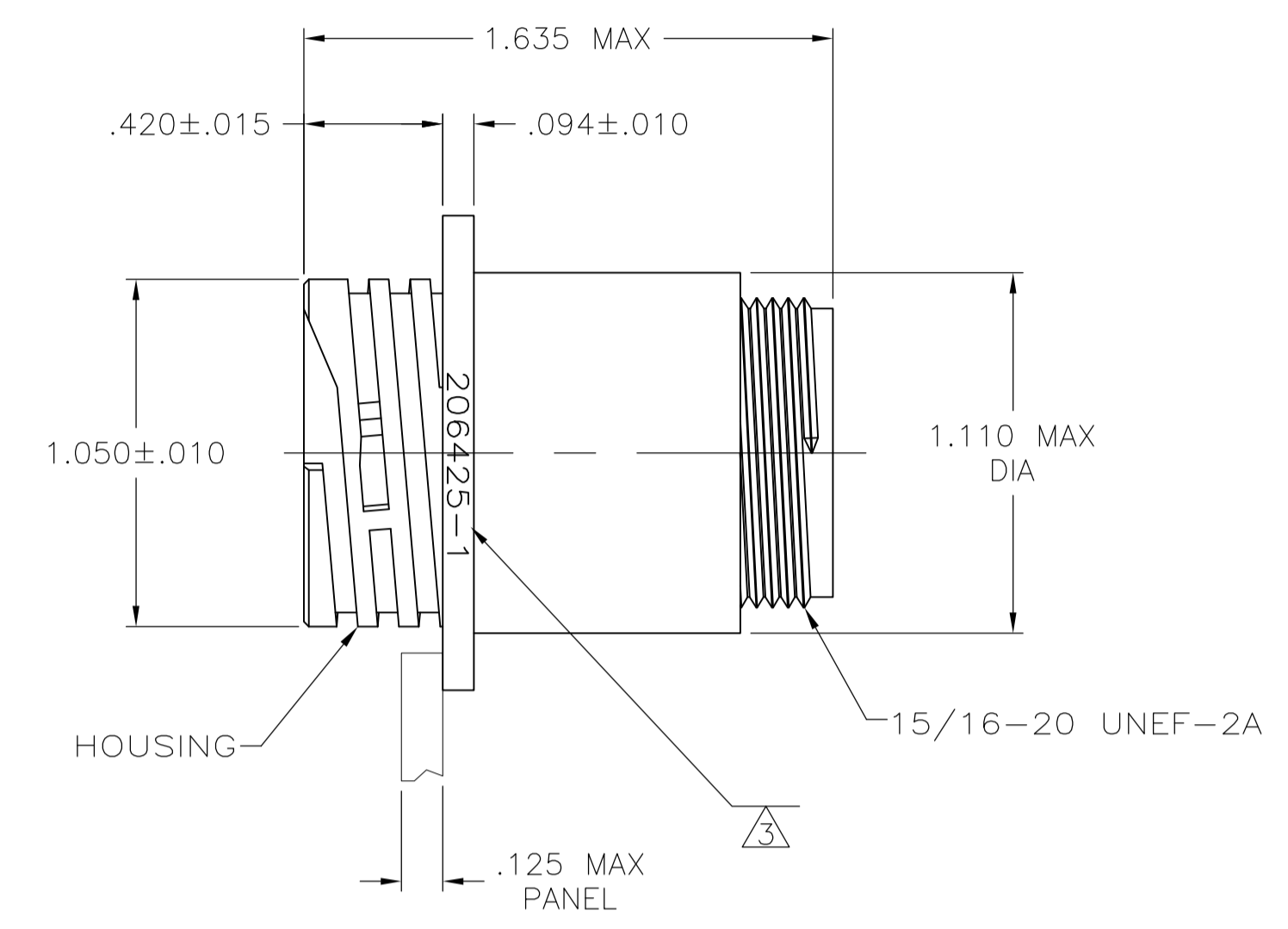
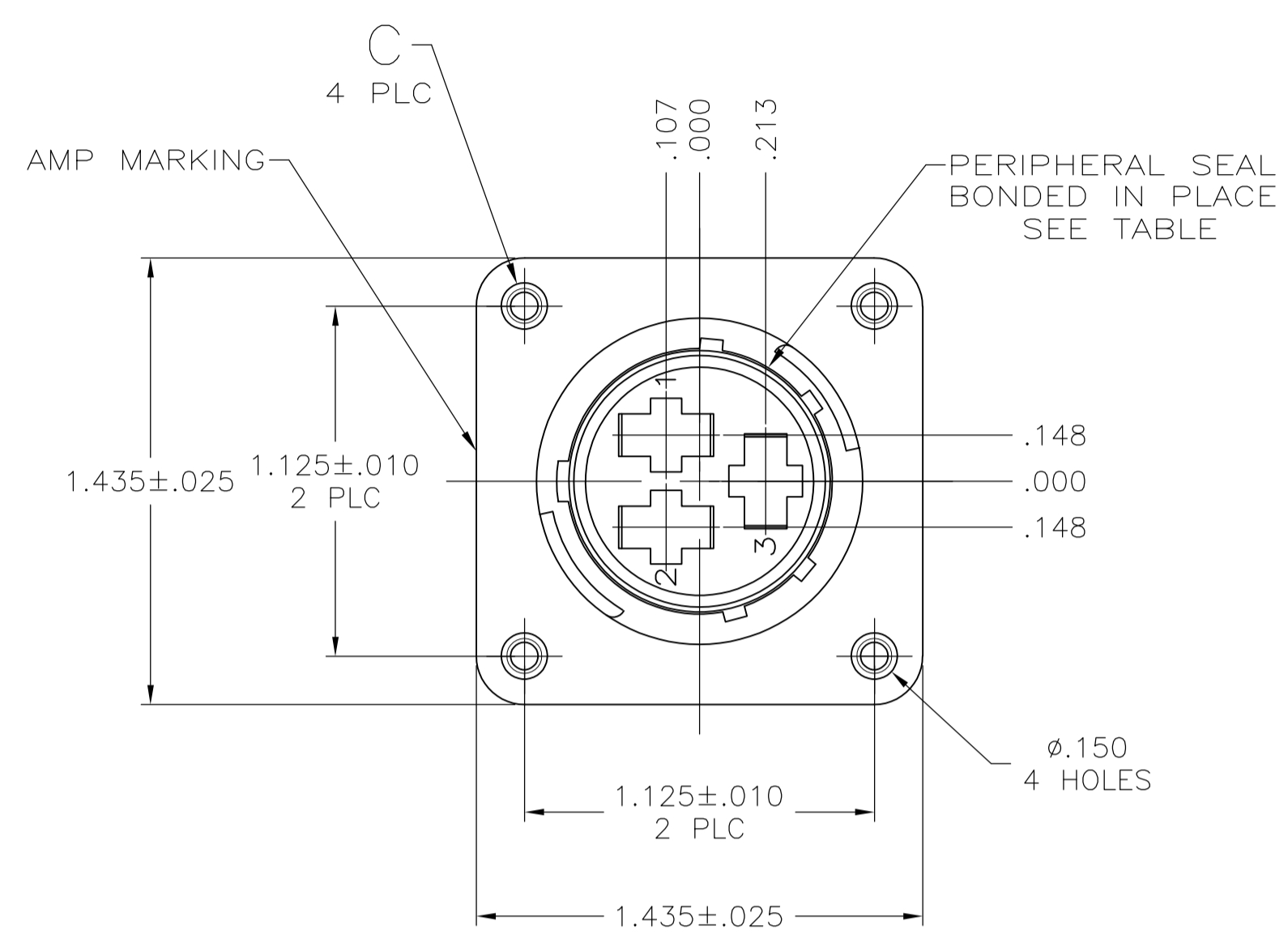
Contact us

Tel: +86-755-8981 8866 Fax: +86-755-8427 6832

Email & Skype: info@chipsmall.com Web: www.chipsmall.com

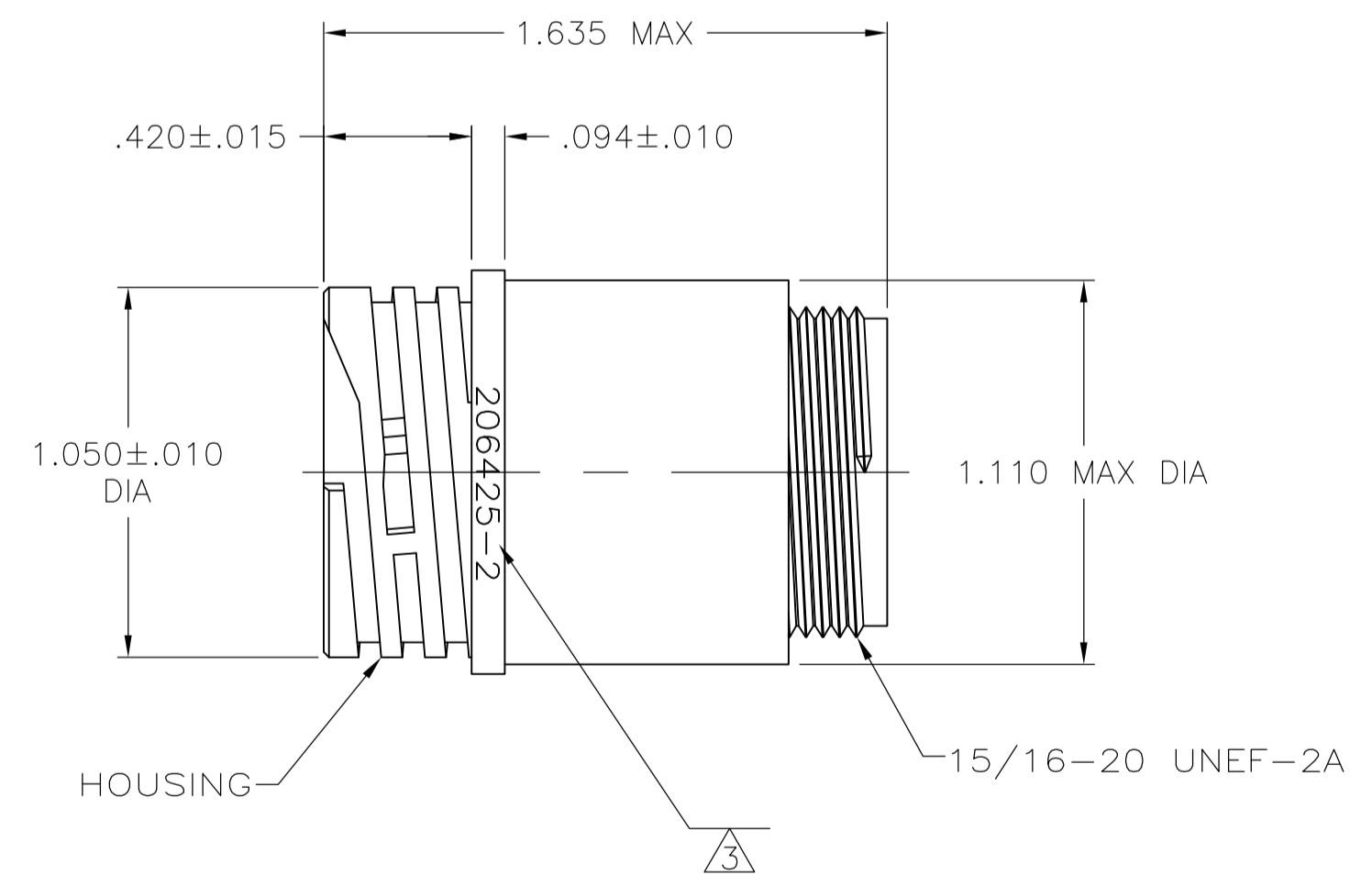
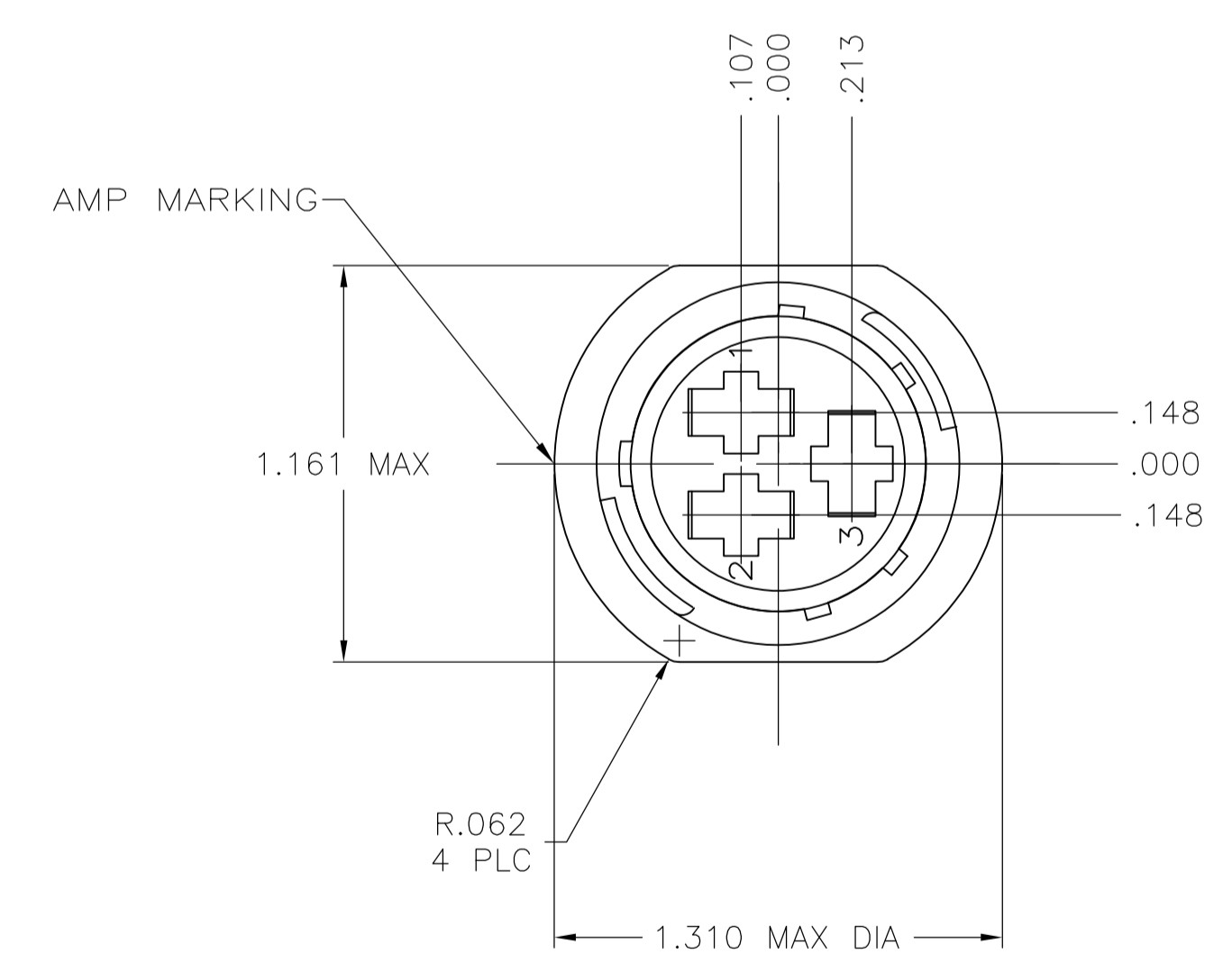
Address: A1208, Overseas Decoration Building, #122 Zhenhua RD., Futian, Shenzhen, China





RECOMMENDED PANEL CUTOUT

DETAIL A



DETAIL B

- NOTES:**
- CAVITY IDENTIFICATION ON FRONT AND REAR FACE.
 - WILL ACCEPT (3) TYPE XII SOCKET CONTACTS.
- ⚠ PART NUMBER AND "AMP" INSIGNIA CAN BE LOCATED ON ANY FLANGE EDGE.

4-40 THREADED INSERTS	NO	A	206425-5
.150±.003	YES	A	206425-3
.150±.003	NO	B	206425-2
.150±.003	NO	A	206425-1
C	PERIPHERAL SEAL	SEE DETAIL	PART NUMBER

THIS DRAWING IS A CONTROLLED DOCUMENT.		DIN M. BINNER 06/01/94	TE Connectivity	
DIMENSIONS: INCHES		CHK R. STONE 6-23-94	NAME	
TOLERANCES UNLESS OTHERWISE SPECIFIED:		PRODUCT SPEC 108-10024		
0 PLC ± -		APPLICATION SPEC		
1 PLC ± -		SIZE A1		
2 PLC ± .005		CAGE CODE 00779		
3 PLC ± -		DRAWING NO 206425		
4 PLC ± -		RESTRICTED TO		
ANGLES ± -		WEIGHT		
FINISH		SCALE 2:1		
MATERIAL HOUSING: NYLON, BLACK SEAL: ELASTOMER, GREY		SHEET 1 OF 1		
CUSTOMER DRAWING		REV J1		