



Chipsmall Limited consists of a professional team with an average of over 10 year of expertise in the distribution of electronic components. Based in Hongkong, we have already established firm and mutual-benefit business relationships with customers from,Europe,America and south Asia,supplying obsolete and hard-to-find components to meet their specific needs.

With the principle of “Quality Parts,Customers Priority,Honest Operation,and Considerate Service”,our business mainly focus on the distribution of electronic components. Line cards we deal with include Microchip,ALPS,ROHM,Xilinx,Pulse,ON,Everlight and Freescale. Main products comprise IC,Modules,Potentiometer,IC Socket,Relay,Connector.Our parts cover such applications as commercial,industrial, and automotives areas.

We are looking forward to setting up business relationship with you and hope to provide you with the best service and solution. Let us make a better world for our industry!



## Contact us

Tel: +86-755-8981 8866 Fax: +86-755-8427 6832

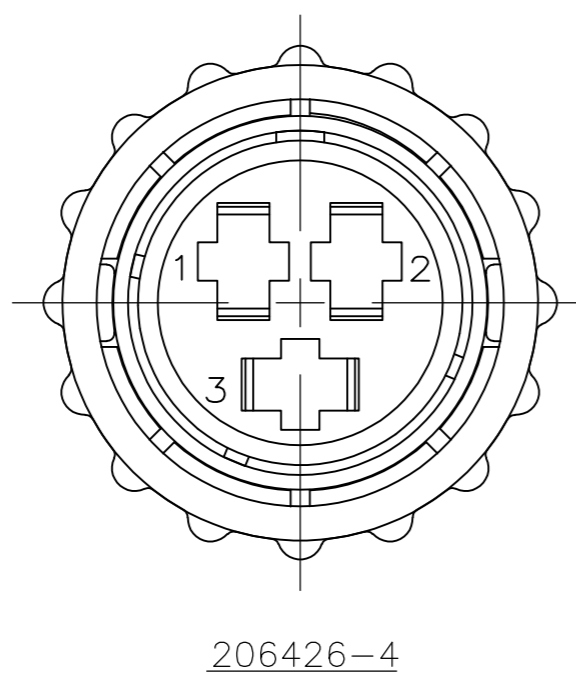
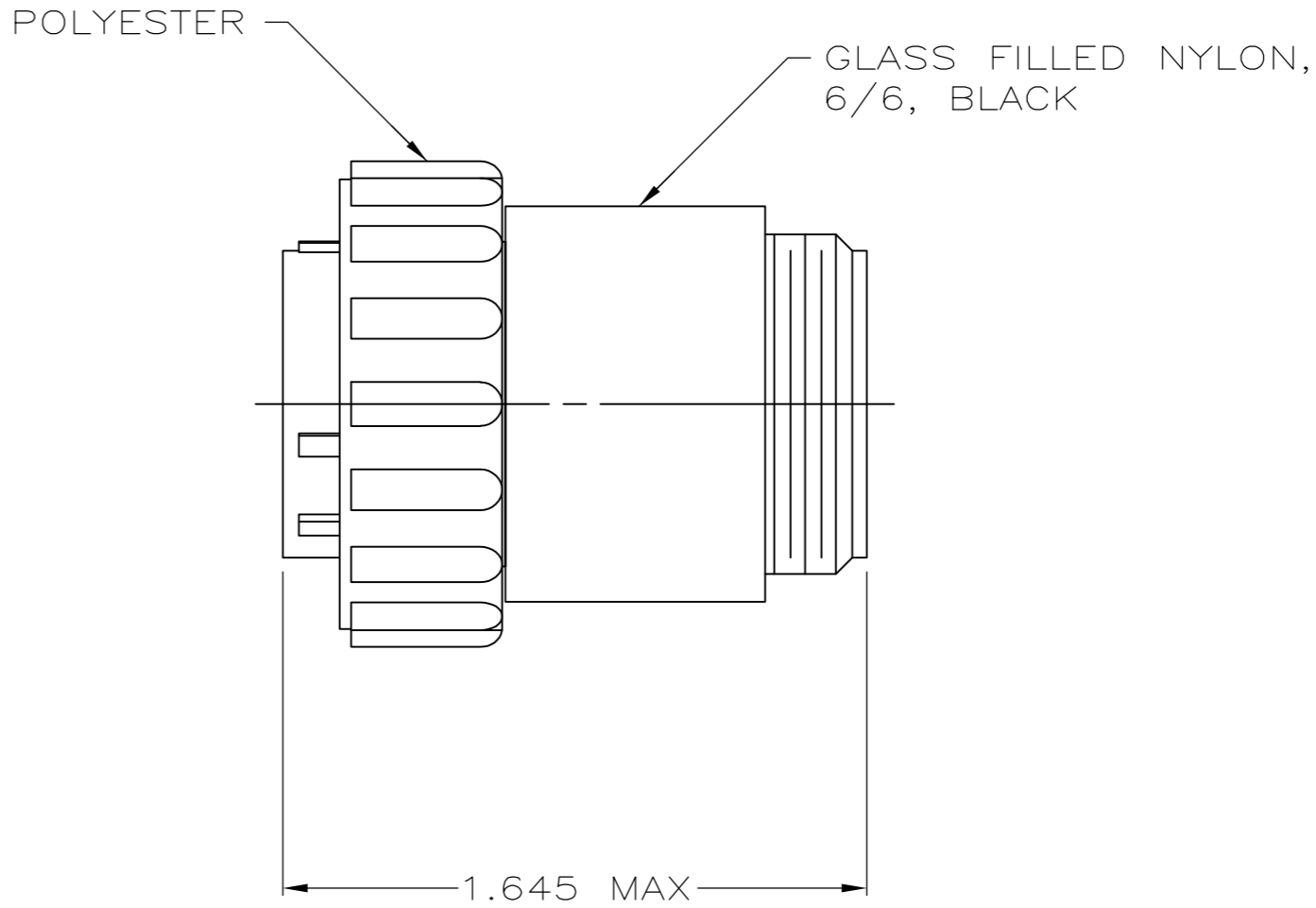
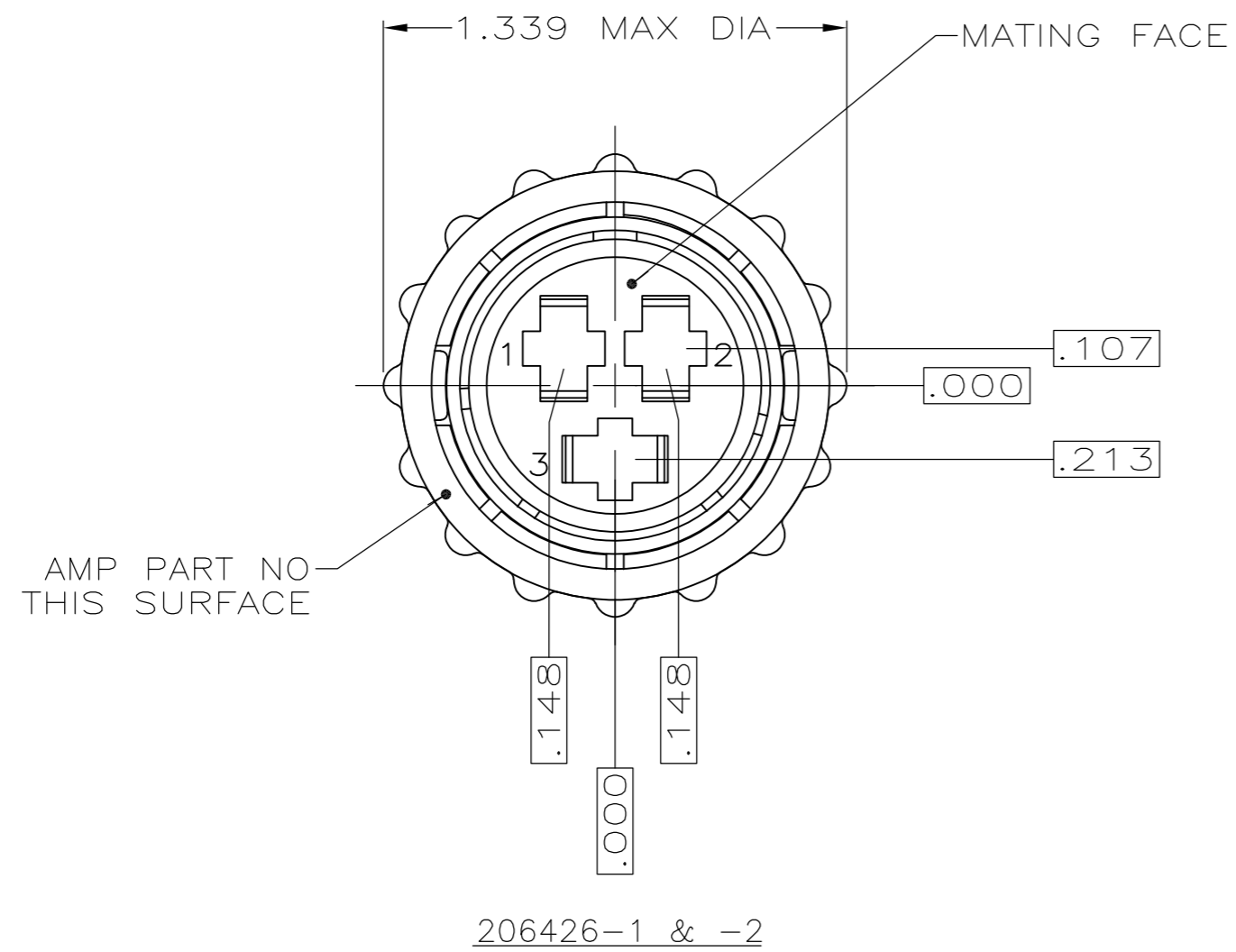
Email & Skype: info@chipsmall.com Web: www.chipsmall.com

Address: A1208, Overseas Decoration Building, #122 Zhenhua RD., Futian, Shenzhen, China



THIS DRAWING IS UNPUBLISHED. RELEASED FOR PUBLICATION  
 © COPYRIGHT - By - ALL RIGHTS RESERVED.

LOC		DIST		REVISIONS			
P	LTR	DESCRIPTION	DATE	DWN	APVD		
FT	0						
F2		REVISED PER ECO-11-004820	11MAR11	RK	HMR		



B	BLACK	VALOX	206426-4
A	GRAY	NORYL	206426-2
A	BLACK	VALOX	206426-1
KEYING STYLE	COUPLING RING COLOR	COUPLING RING MATL	PART NUMBER

- CONTACT CAVITIES IDENTIFIED BY CHARACTERS ON FRONT AND REAR FACES OF CONNECTOR.
- WILL ACCEPT (3) TYPE XII PIN CONTACTS.

THIS DRAWING IS A CONTROLLED DOCUMENT.		DWN	S.RIDGLEY	BG	8/2/90	<b>TE</b> TE Connectivity	
		CHK	R.STONE		04/26/91		
DIMENSIONS: INCHES		TOLERANCES UNLESS OTHERWISE SPECIFIED:		APVD		NAME	
		0 PLC	±	-	PRODUCT SPEC		PLUG ASSEMBLY, SHELL SIZE 17, REVERSE SEX, SERIES 3, CPC
		1 PLC	±	-	APPLICATION SPEC		
		2 PLC	±	-	WEIGHT		
		3 PLC	±	-	SCALE		
		4 PLC	±	-	FINISH		SIZE
		ANGLES	±	-	MATERIAL		CAGE CODE
SEE		-		CUSTOMER DRAWING		DRAWING NO	
						RESTRICTED TO	
						A2 00779 C=206426	
						SHEET 1 of 1	
						REV F2	