



Chipsmall Limited consists of a professional team with an average of over 10 year of expertise in the distribution of electronic components. Based in Hongkong, we have already established firm and mutual-benefit business relationships with customers from,Europe,America and south Asia,supplying obsolete and hard-to-find components to meet their specific needs.

With the principle of "Quality Parts,Customers Priority,Honest Operation,and Considerate Service",our business mainly focus on the distribution of electronic components. Line cards we deal with include Microchip,ALPS,ROHM,Xilinx,Pulse,ON,Everlight and Freescale. Main products comprise IC,Modules,Potentiometer,IC Socket,Relay,Connector.Our parts cover such applications as commercial,industrial, and automotives areas.

We are looking forward to setting up business relationship with you and hope to provide you with the best service and solution. Let us make a better world for our industry!



Contact us

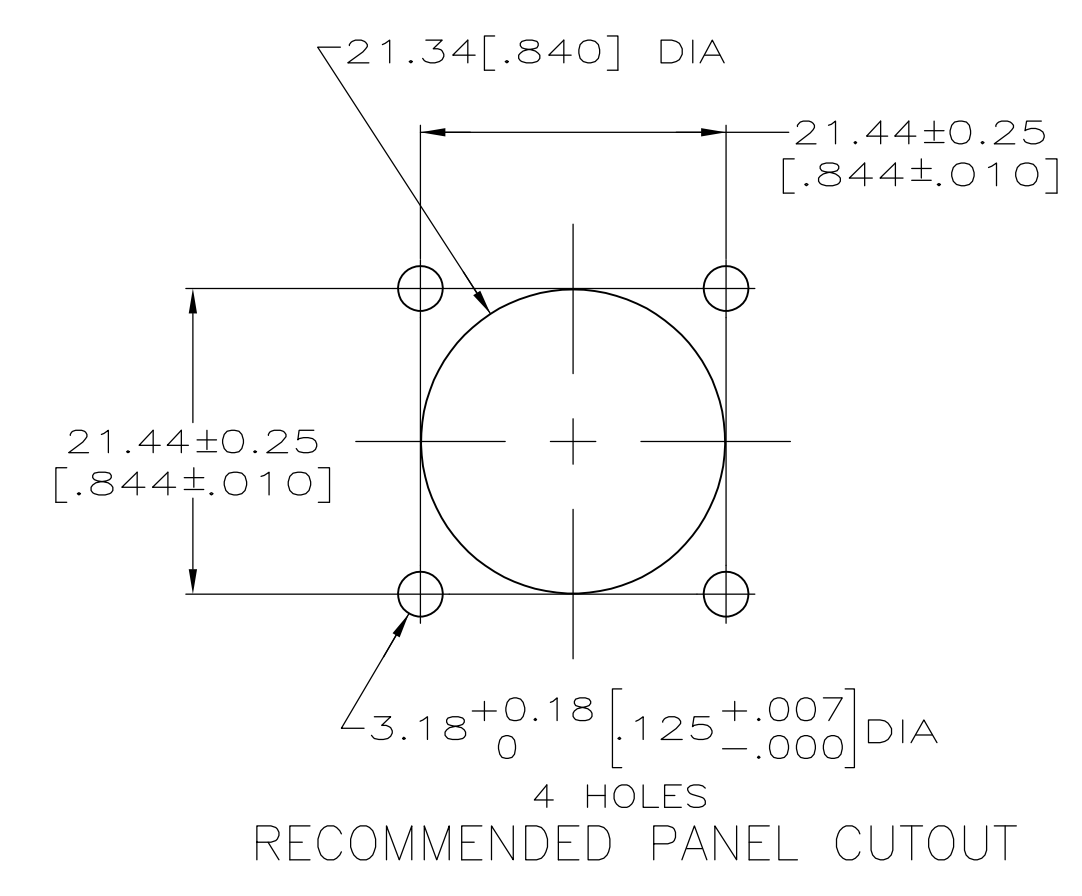
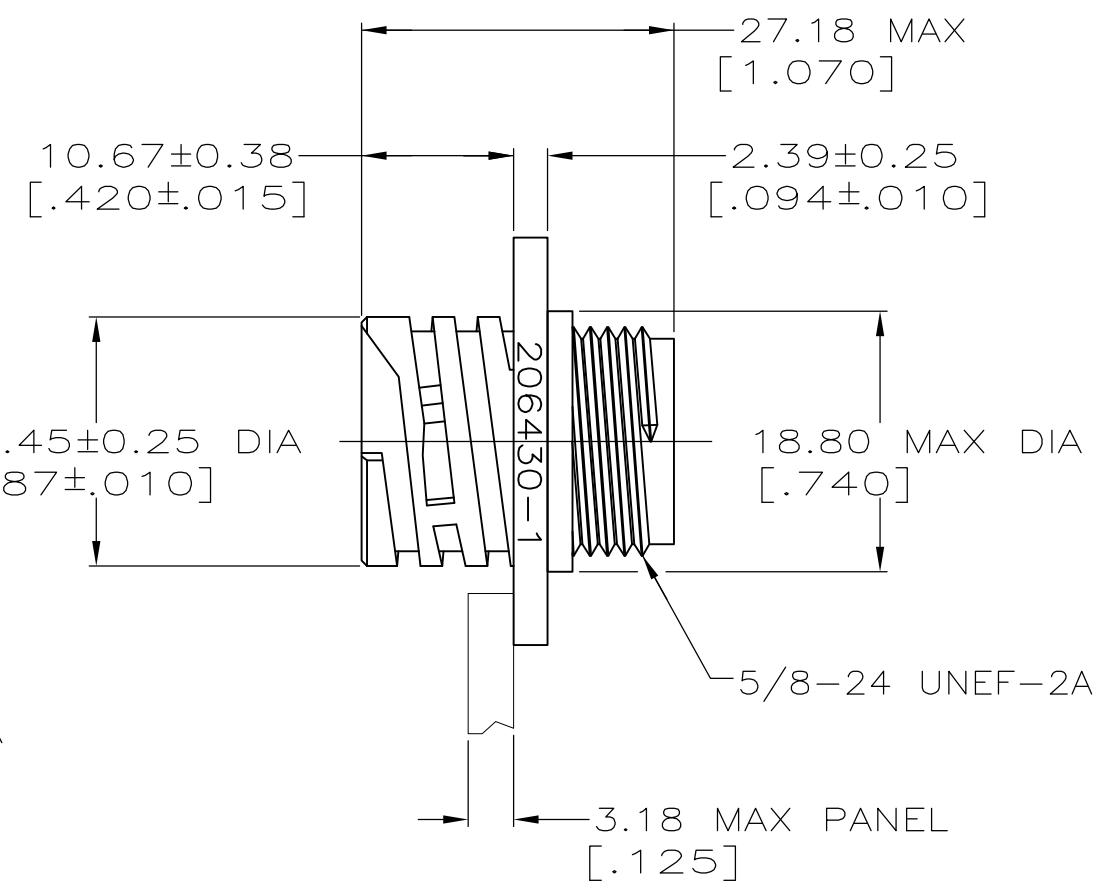
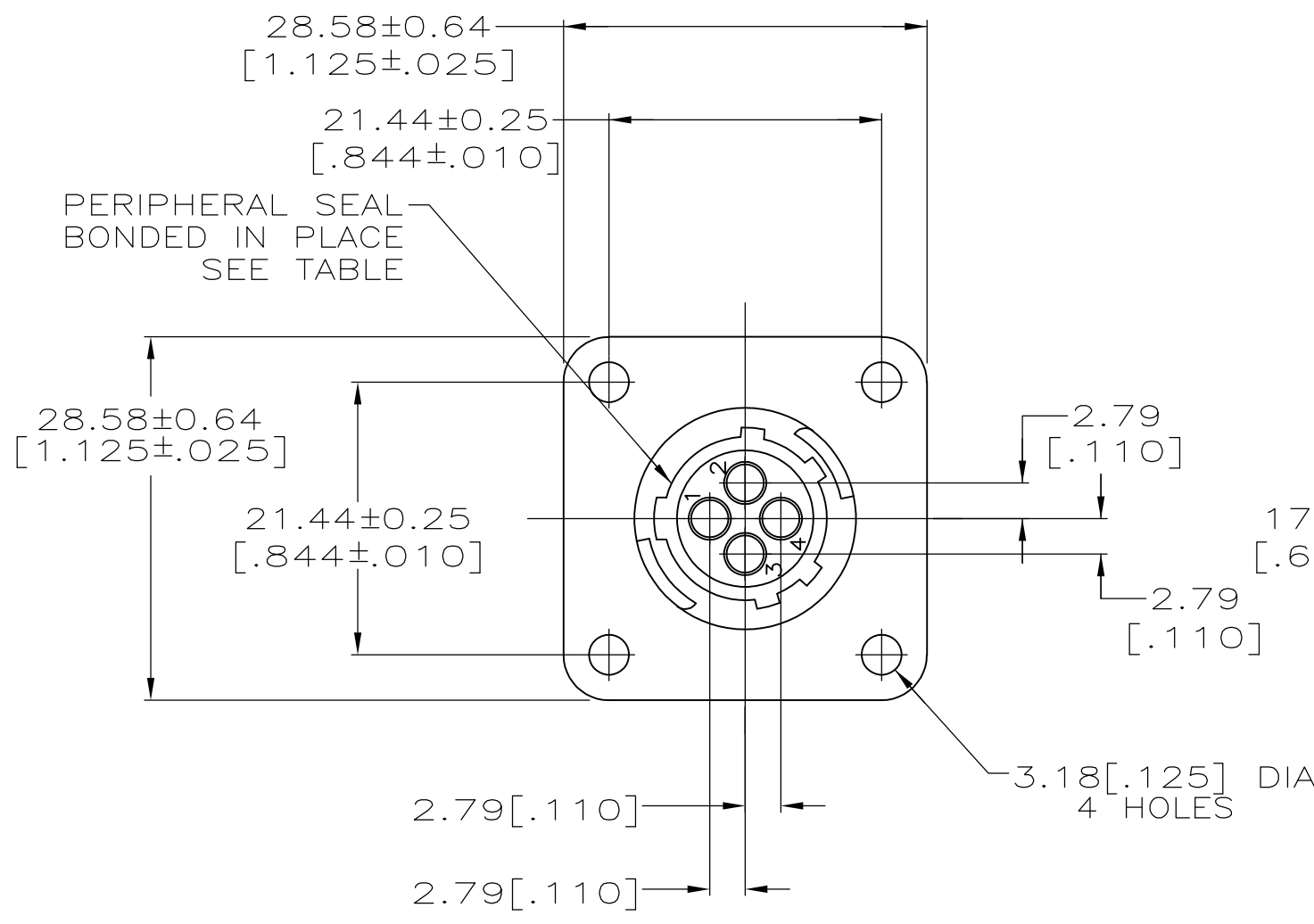
Tel: +86-755-8981 8866 Fax: +86-755-8427 6832

Email & Skype: info@chipsmall.com Web: www.chipsmall.com

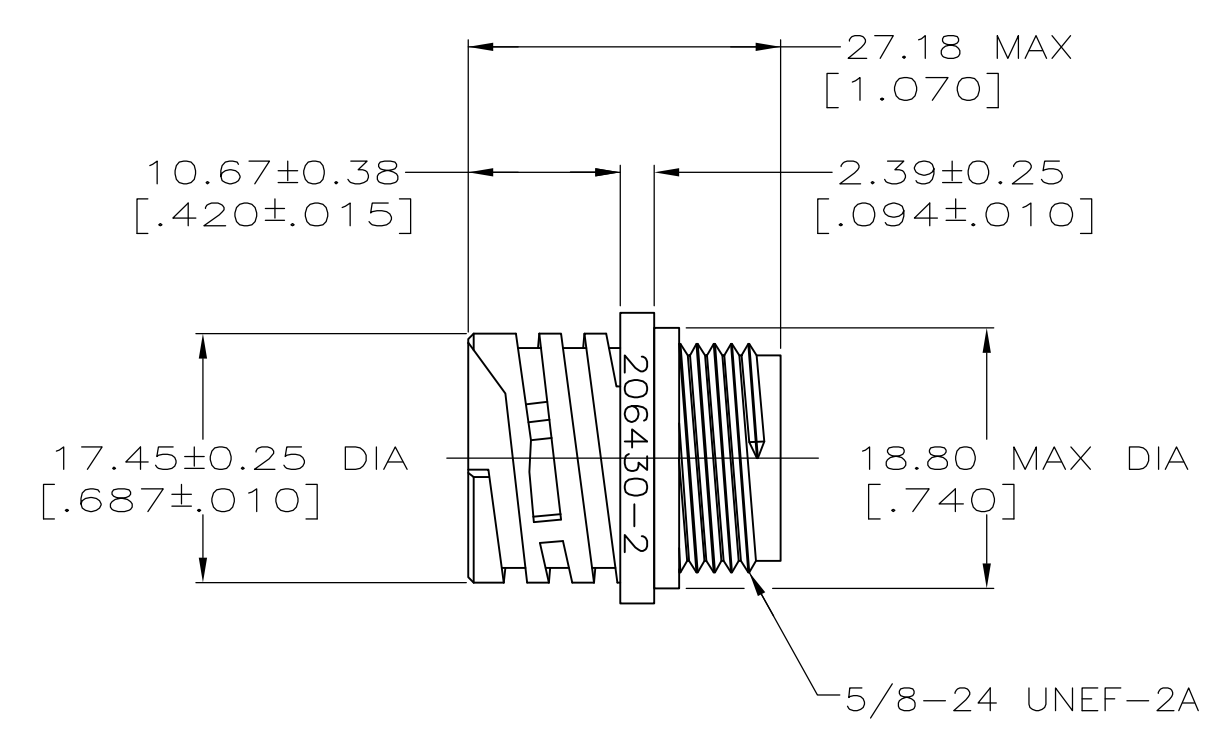
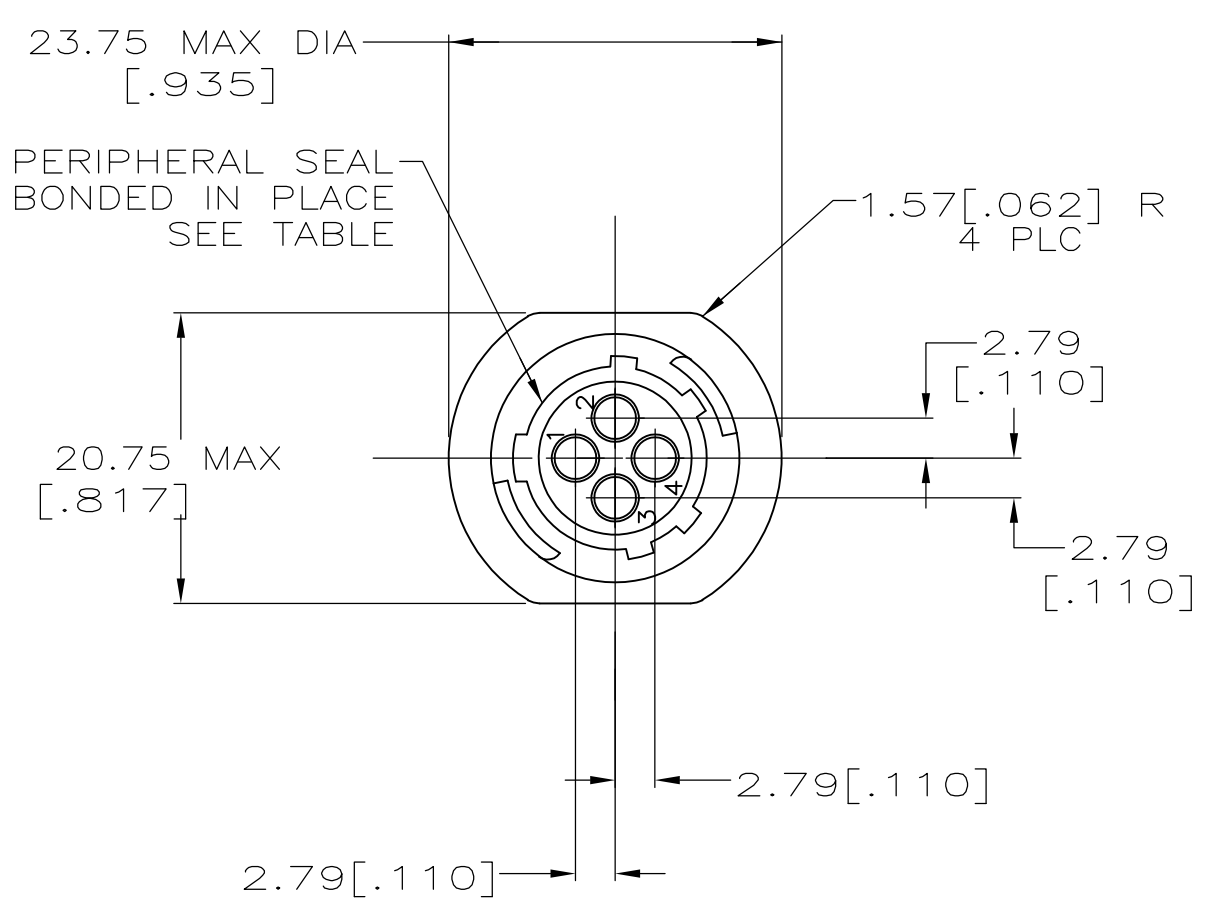
Address: A1208, Overseas Decoration Building, #122 Zhenhua RD., Futian, Shenzhen, China



MOD	LOC	DIST	REVISIONS					
4	BD	35	P	LTR	DESCRIPTION	DATE	OWN	APVD
			H		REVISED PER ECO-12-015521	28SEP12	KH	MZ



DETAIL A



DETAIL B

SMALL PACK	NO	A	206430-5
STANDARD	YES	B	206430-4
STANDARD	YES	A	206430-3
STANDARD	NO	B	206430-2
STANDARD	NO	A	206430-1
PACKAGING	PERIPHERAL SEAL	SEE DETAIL	PART NO

- CAVITY IDENTIFICATION ON FRONT AND REAR FACE.
- WILL ACCEPT FOUR (4) MULTIMATE SOCKET CONTACTS.

THIS DRAWING IS A CONTROLLED DOCUMENT.

DWN	W.LENKER	09/09/92	TE Connectivity
CHK	R.STONE	08/11/93	
APVD	A.FRANTUM	08/13/93	
NAME	RECEPTACLE HOUSING, REVERSE SEX, SHELL SIZE 11, CPC		
DIMENSIONS:	TOLERANCES UNLESS OTHERWISE SPECIFIED:		PRODUCT SPEC
mm[INCHES]	0 PLC ± -		108-10024
	1 PLC ± -		APPLICATION SPEC
	2 PLC ± 0.13 [.005]		SIZE
	3 PLC ± -		A2
	4 PLC ± -		CAGE CODE
	ANGLES ± ± -		00779
MATERIAL	FINISH	WEIGHT	DRAWING NO
NYLON, BLACK	-	-	G-206430
CUSTOMER DRAWING			RESTRICTED TO
SCALE 2:1			SHEET 1 OF 1
REV H			