



Chipsmall Limited consists of a professional team with an average of over 10 year of expertise in the distribution of electronic components. Based in Hongkong, we have already established firm and mutual-benefit business relationships with customers from,Europe,America and south Asia,supplying obsolete and hard-to-find components to meet their specific needs.

With the principle of “Quality Parts,Customers Priority,Honest Operation,and Considerate Service”,our business mainly focus on the distribution of electronic components. Line cards we deal with include Microchip,ALPS,ROHM,Xilinx,Pulse,ON,Everlight and Freescale. Main products comprise IC,Modules,Potentiometer,IC Socket,Relay,Connector.Our parts cover such applications as commercial,industrial, and automotives areas.

We are looking forward to setting up business relationship with you and hope to provide you with the best service and solution. Let us make a better world for our industry!



Contact us

Tel: +86-755-8981 8866 Fax: +86-755-8427 6832

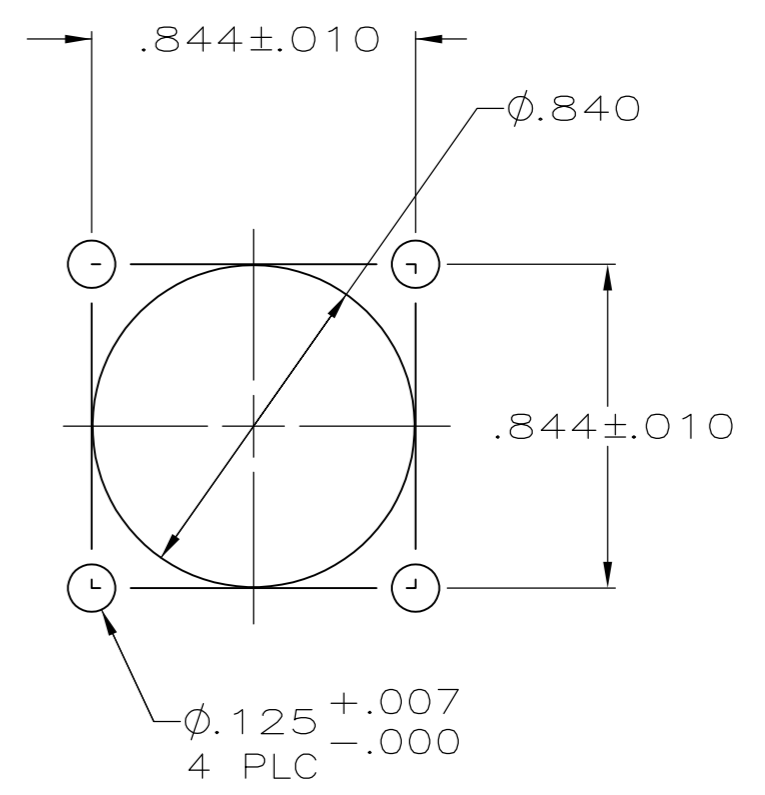
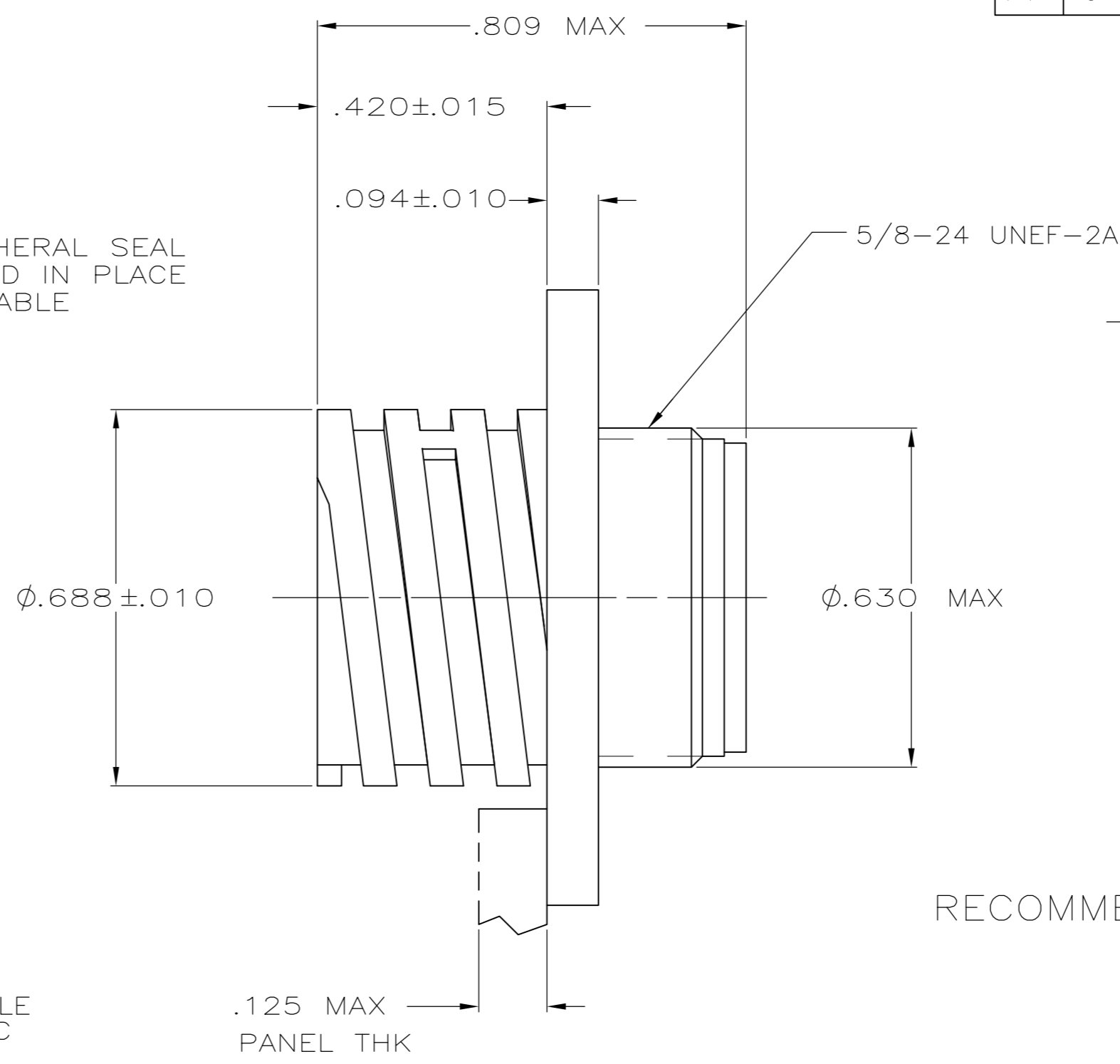
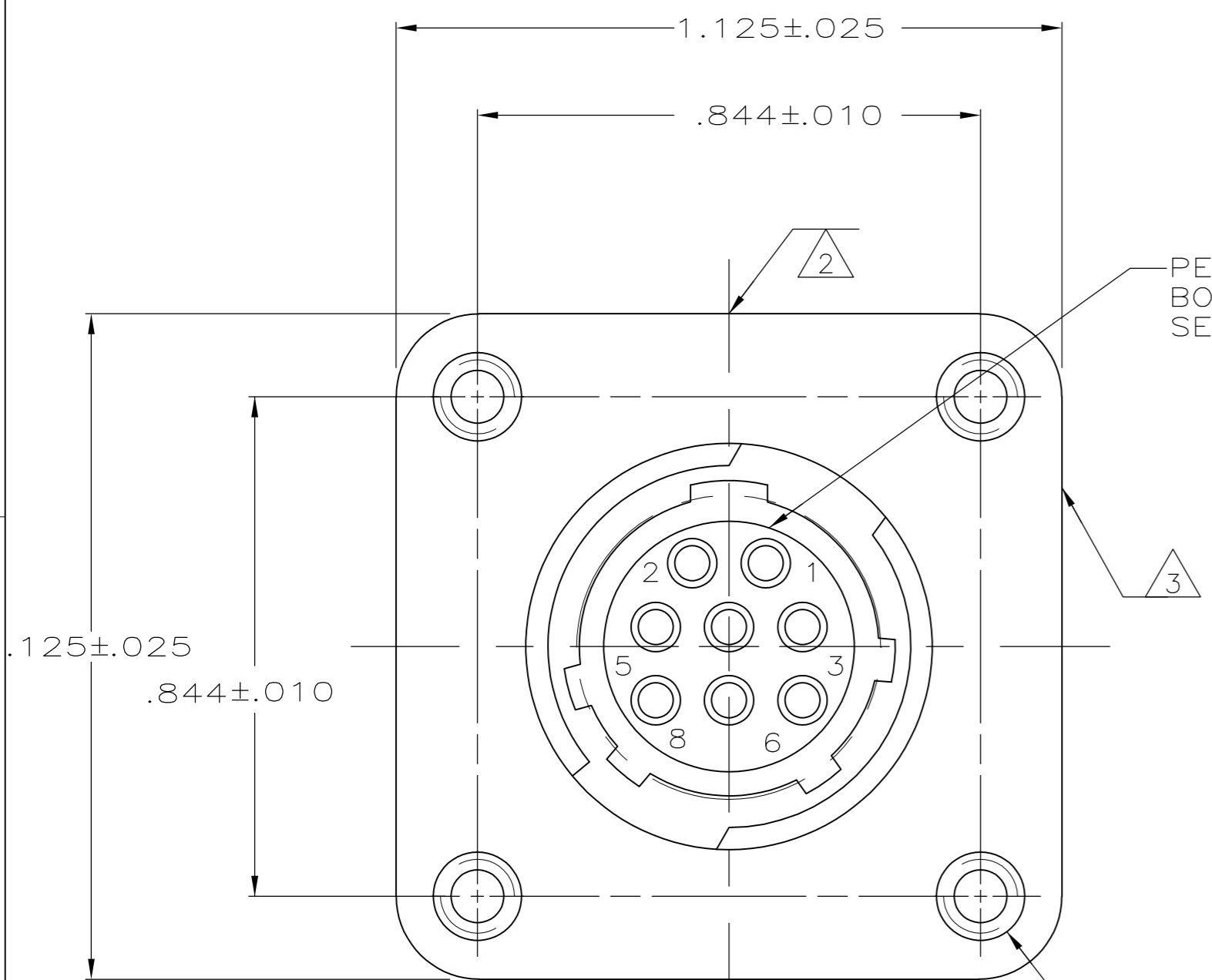
Email & Skype: info@chipsmall.com Web: www.chipsmall.com

Address: A1208, Overseas Decoration Building, #122 Zhenhua RD., Futian, Shenzhen, China

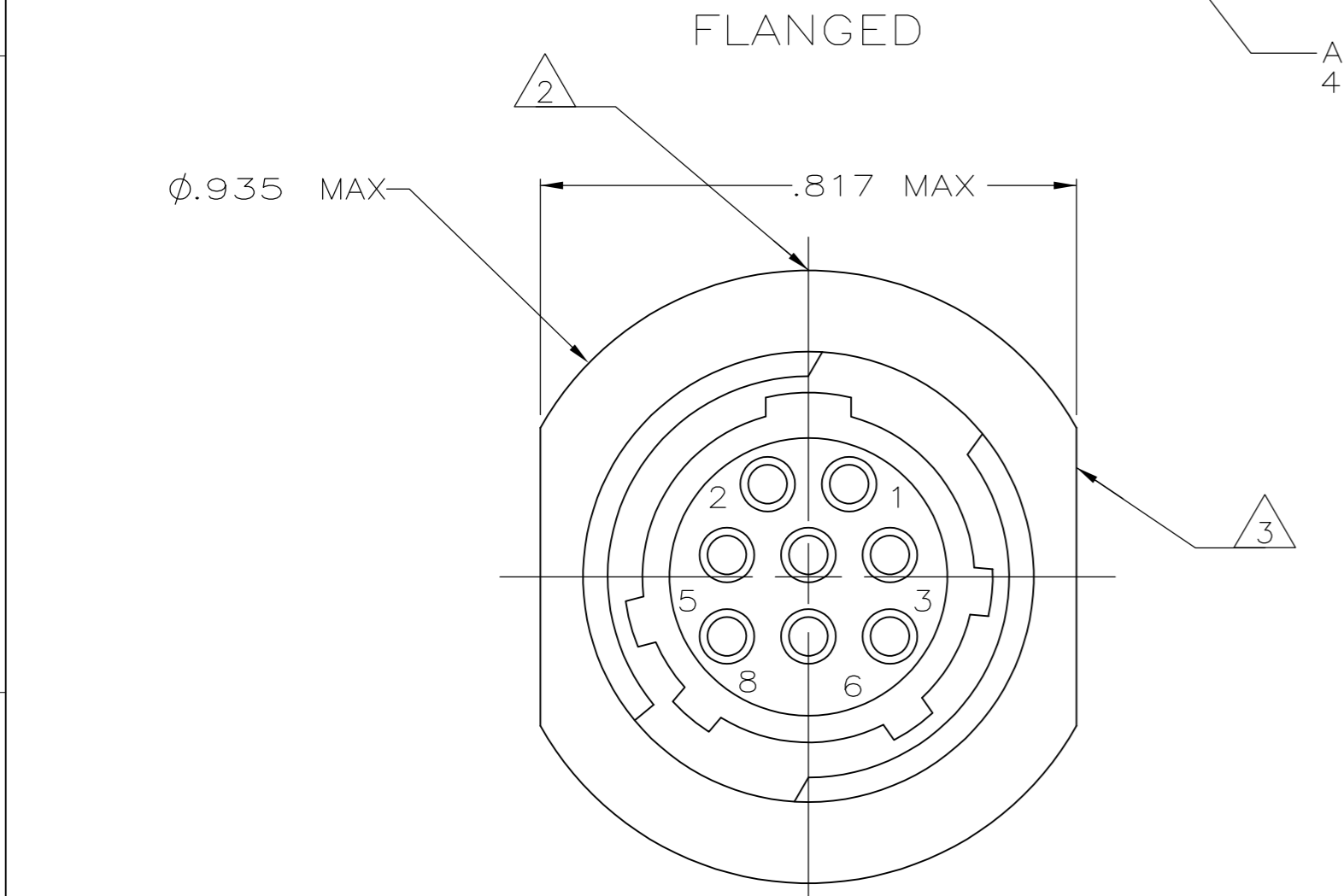


THIS DRAWING IS UNPUBLISHED. RELEASED FOR PUBLICATION
 © COPYRIGHT - By - ALL RIGHTS RESERVED.

LOC		DIST		REVISIONS			
P	LTR	DESCRIPTION		DATE	DWN	APVD	
FT	0	H2	REVISED PER ECO-11-004587		11MAR11	RK	HMR



RECOMMENDED PANEL CUTOUT
SCALE 2:1



- 1 CONTACT CAVITIES IDENTIFIED BY CHARACTERS ON FRONT AND REAR FACE.
- 2 AMP MOLDED ON THIS SURFACE.
- 3 PART NUMBER AND DATE CODE MARKED ON THIS SURFACE.
- 4 206433-4 STRIPPED WIRE LENGTH SHOULD BE .193-.213 WITH .095 MAX INSULATION.
- 5 OBSOLETE PART NUMBER.

STANDARD	YES	4-40 BRASS THREADED INSERT	20	FLANGED	206433-6
SMALL PACK	NO	.125 DIA	20	FLANGED	206433-5
STANDARD	NO	.125 DIA	20DF WITHOUT INSULATION SUPPORT	FLANGED	5 206433-4
STANDARD	NO	4-40 BRASS THREADED INSERT	20	FLANGED	206433-3
STANDARD	NO	-	20	FREE HANGING	206433-2
STANDARD	NO	.125 DIA	20	FLANGED	206433-1
PACKAGING	PERIPHERAL SEAL	A	WILL ACCEPT SOCKET CONTACT SIZE	TYPE	PART NUMBER

THIS DRAWING IS A CONTROLLED DOCUMENT.

DIMENSIONS: INCHES	TOLERANCES UNLESS OTHERWISE SPECIFIED:	DWN J.McCLINTON 1-25-88	
	0 PLC ± -	CHK R.STONE 1-26-88	
	1 PLC ± -	APVD M.KAPEZYNSKI 1-27-88	
	2 PLC ± -	NAME	
	3 PLC ± .005	PRODUCT SPEC	RECEPTACLE ASSEMBLY, ARRANGEMENT 11-8 REVERSE SEX, CPC
	4 PLC ± -	APPLICATION SPEC	SIZE CAGE CODE DRAWING NO
	ANGLES ± -	WEIGHT	A2 00779 C-206433
MATERIAL NYLON, GLASS FILLED, FLAME RETARDED, BLACK	FINISH -	CUSTOMER DRAWING	RESTRICTED TO
		SCALE 4:1	SHEET 1 of 1
			REV H2