



Chipsmall Limited consists of a professional team with an average of over 10 year of expertise in the distribution of electronic components. Based in Hongkong, we have already established firm and mutual-benefit business relationships with customers from,Europe,America and south Asia,supplying obsolete and hard-to-find components to meet their specific needs.

With the principle of “Quality Parts,Customers Priority,Honest Operation,and Considerate Service”,our business mainly focus on the distribution of electronic components. Line cards we deal with include Microchip,ALPS,ROHM,Xilinx,Pulse,ON,Everlight and Freescale. Main products comprise IC,Modules,Potentiometer,IC Socket,Relay,Connector.Our parts cover such applications as commercial,industrial, and automotives areas.

We are looking forward to setting up business relationship with you and hope to provide you with the best service and solution. Let us make a better world for our industry!



## Contact us

Tel: +86-755-8981 8866 Fax: +86-755-8427 6832

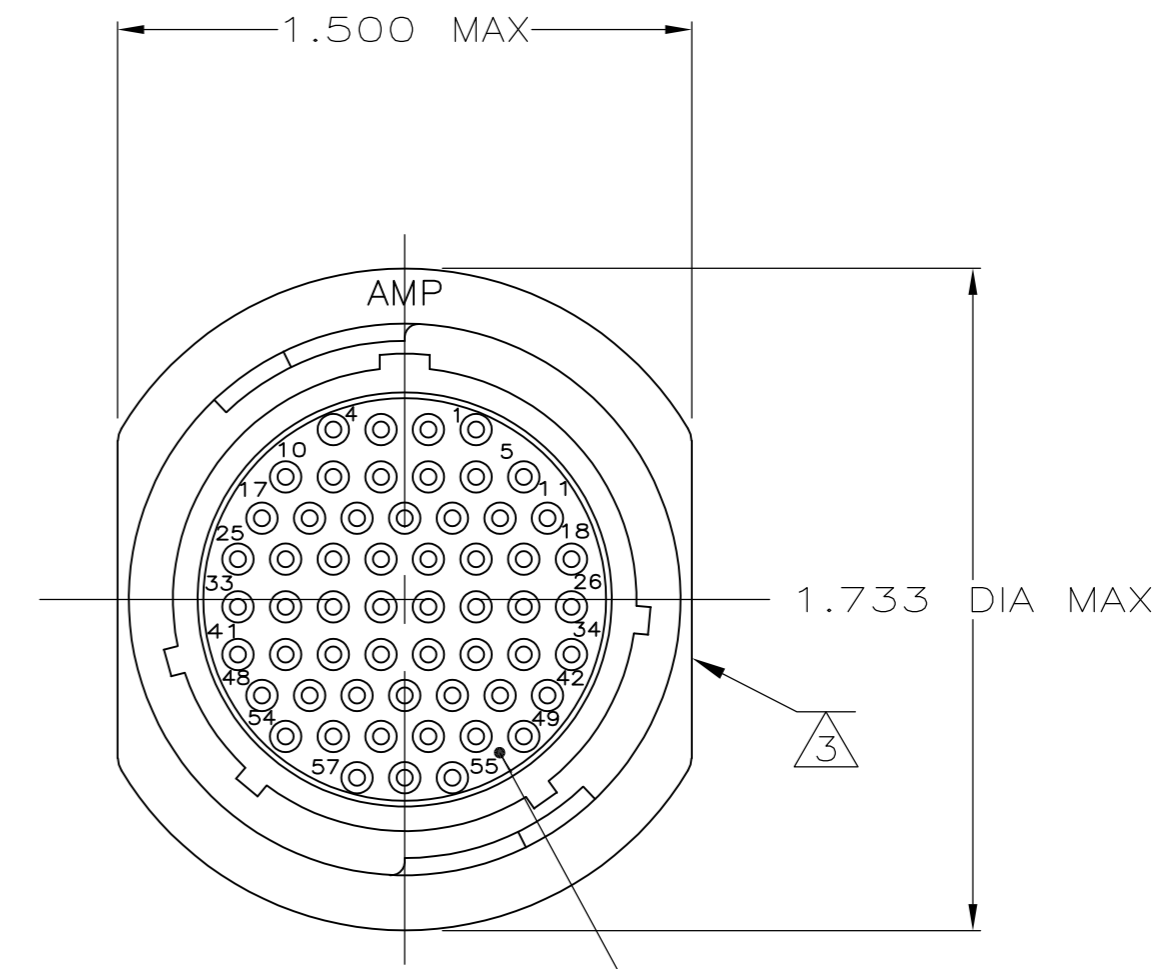
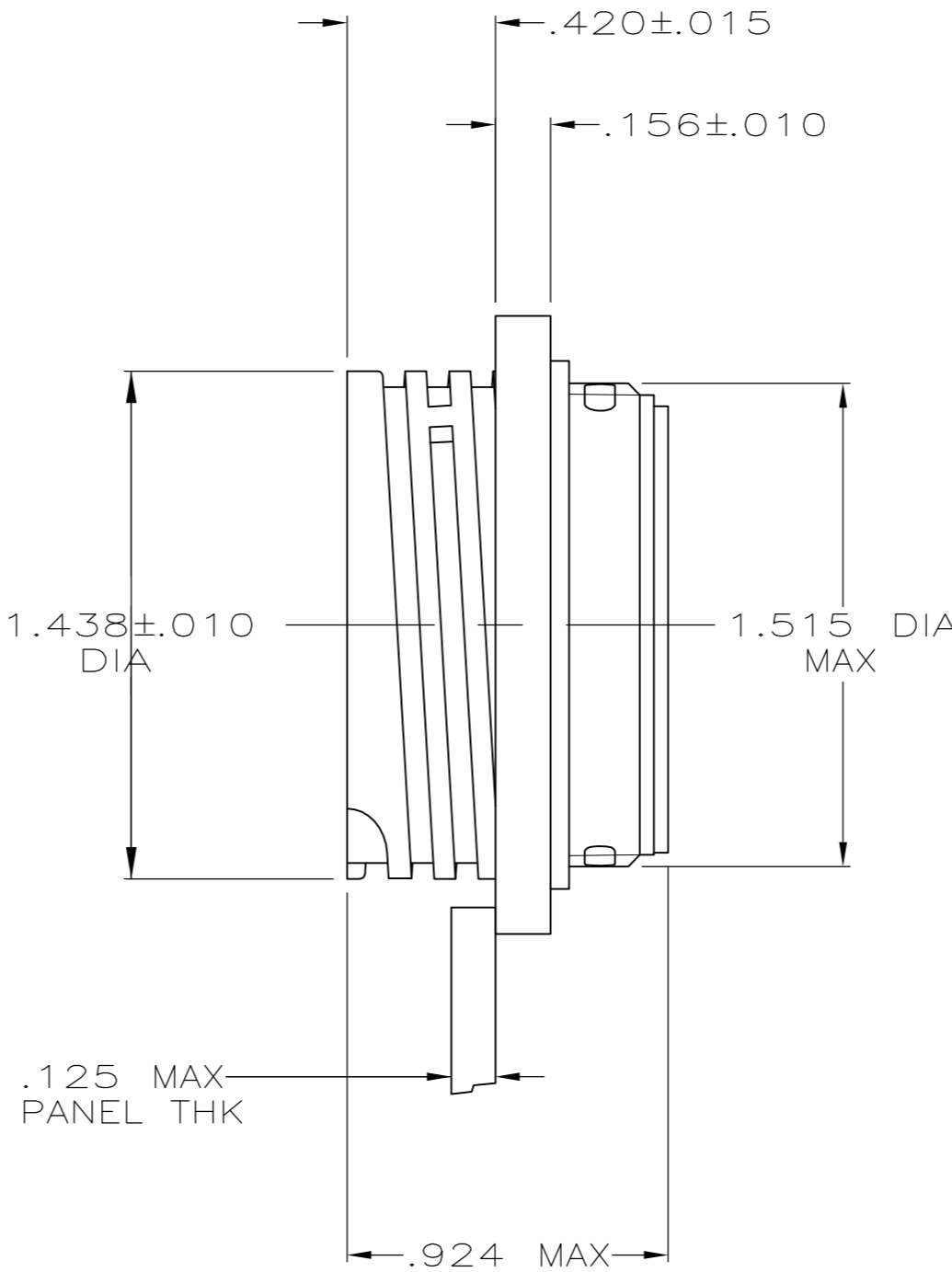
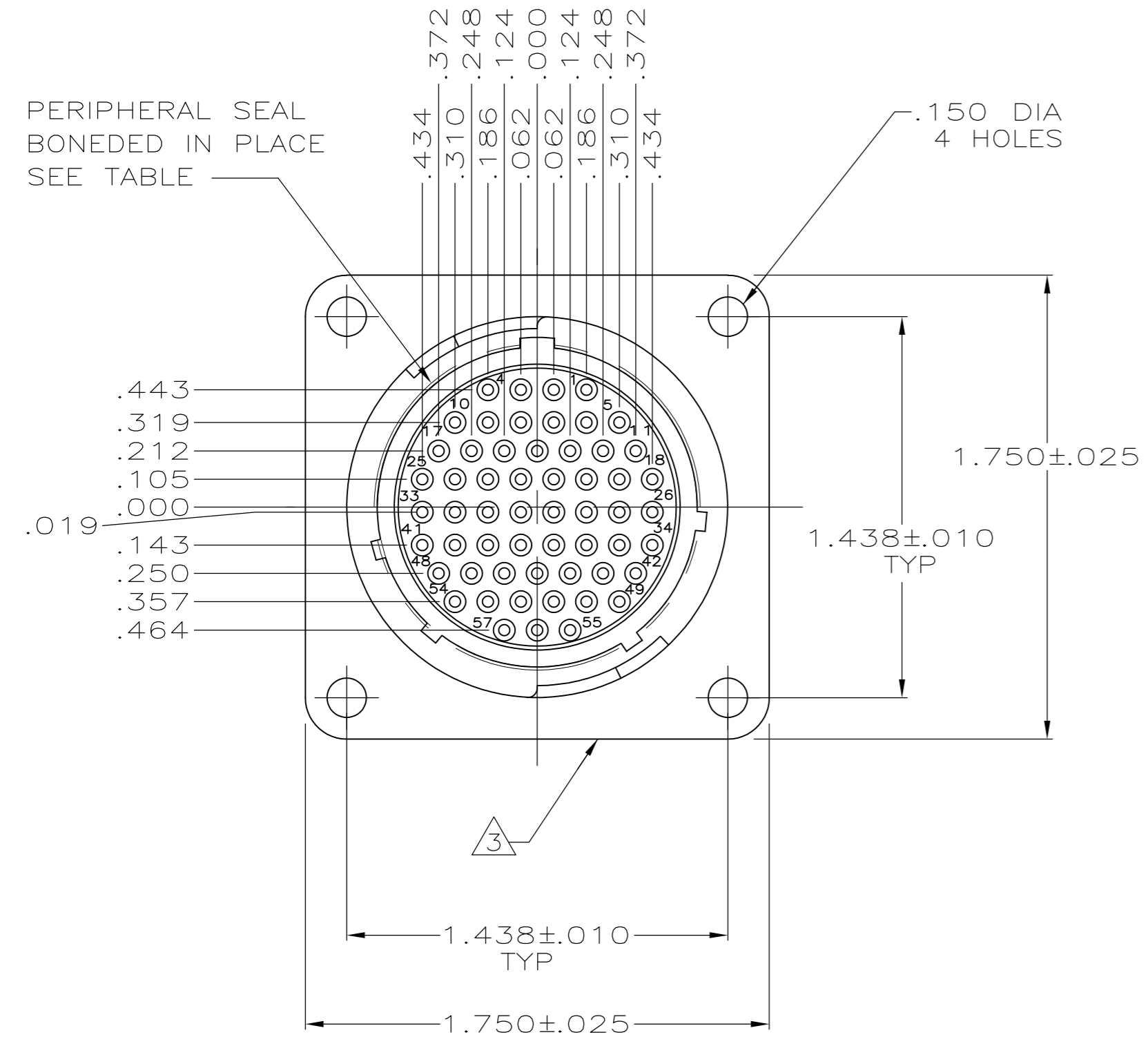
Email & Skype: info@chipsmall.com Web: www.chipsmall.com

Address: A1208, Overseas Decoration Building, #122 Zhenhua RD., Futian, Shenzhen, China

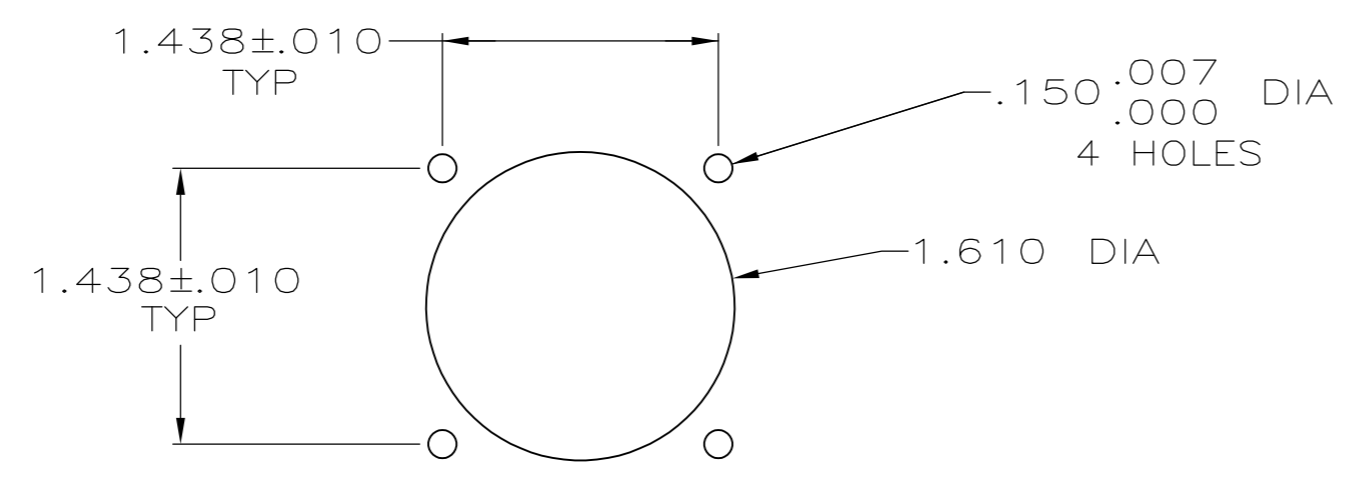


THIS DRAWING IS UNPUBLISHED. RELEASED FOR PUBLICATION  
 © COPYRIGHT - By - ALL RIGHTS RESERVED.

LOC	DIST	REVISIONS					
FT	0	P	LTR	DESCRIPTION	DATE	DWN	APVD
		K2		REVISED PER ECO-11-004820	11MAR11	RK	HMR



FREE HANGING  
(-2 ONLY)



PANEL CUTOUT  
SCALE 1:1

NOTES:

- CONTACT CAVITIES IDENTIFIED BY CHARACTERS ON FRONT AND REAR FACES OF CONNECTOR.
- WILL ACCEPT (57) SIZE 20 SOCKET CONTACTS.
- 3 PART NUMBER THIS AREA.
- #4 FASTENER RECOMMENDED FOR MOUNTING.
- 5 OBSOLETE PARTS: OBSOLETE CIS STREAMLINING PER D.RENAUD/D.SINISI

5 OBSOLETE	YES	206438-3
	NO	206438-2
	NO	206438-1
PERIPHERAL SEAL	PART NUMBER	

THIS DRAWING IS A CONTROLLED DOCUMENT.		DWN	A.STAUB BG	4/3/91	TE Connectivity		
DIMENSIONS: INCHES		CHK	W.G.LENKER	7-27-92			
TOLERANCES UNLESS OTHERWISE SPECIFIED:		APVD	-	-	RECEPTACLE ASSEMBLY, REV SEX, SERIES 2, 23-57, CPC		
0 PLC ± -		PRODUCT SPEC		108-10024	RESTRICTED TO		
1 PLC ± -		APPLICATION SPEC		-	SIZE	CAGE CODE	DRAWING NO
2 PLC ± -		MATERIAL		THERMOPLASTIC,	A2	00779	C=206438
3 PLC ± .005		FINISH		-	SCALE	SHEET	REV
4 PLC ± -		WEIGHT		-	2:1	1 of 1	K2
ANGLES ± -		CUSTOMER DRAWING					