



Chipsmall Limited consists of a professional team with an average of over 10 year of expertise in the distribution of electronic components. Based in Hongkong, we have already established firm and mutual-benefit business relationships with customers from,Europe,America and south Asia,supplying obsolete and hard-to-find components to meet their specific needs.

With the principle of "Quality Parts,Customers Priority,Honest Operation,and Considerate Service",our business mainly focus on the distribution of electronic components. Line cards we deal with include Microchip,ALPS,ROHM,Xilinx,Pulse,ON,Everlight and Freescale. Main products comprise IC,Modules,Potentiometer,IC Socket,Relay,Connector.Our parts cover such applications as commercial,industrial, and automotives areas.

We are looking forward to setting up business relationship with you and hope to provide you with the best service and solution. Let us make a better world for our industry!



Contact us

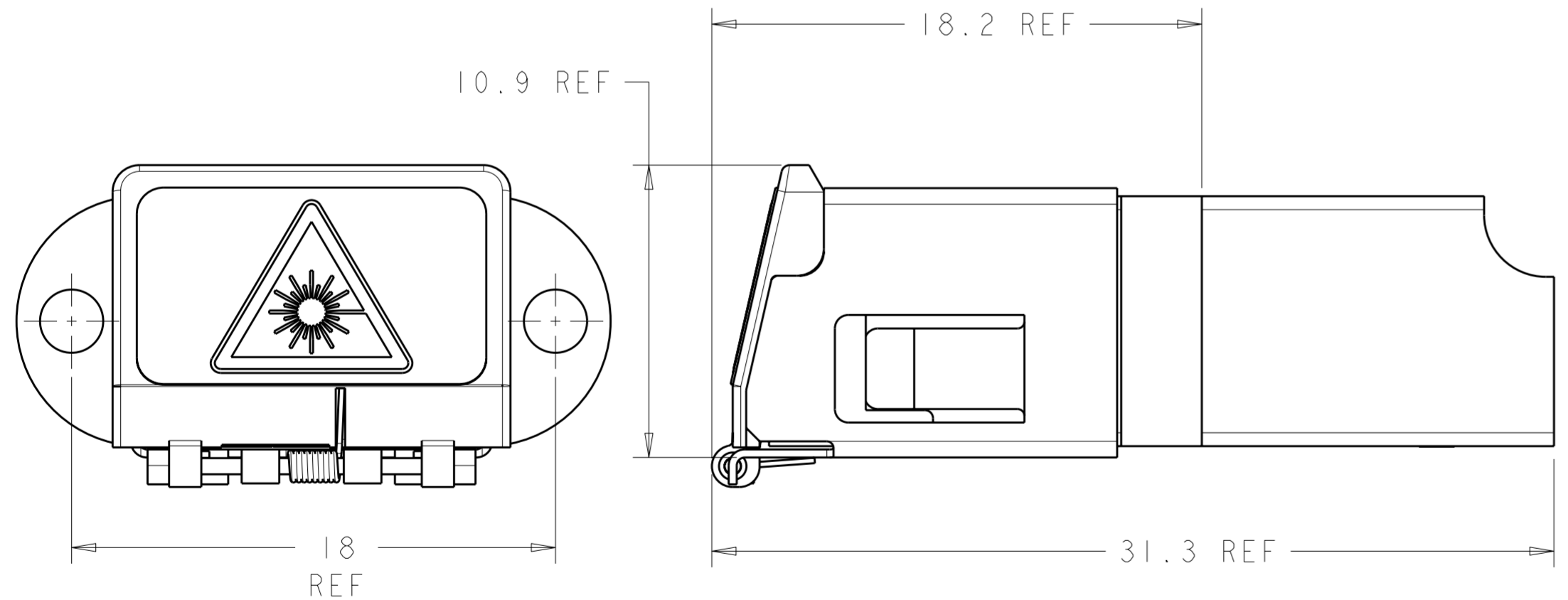
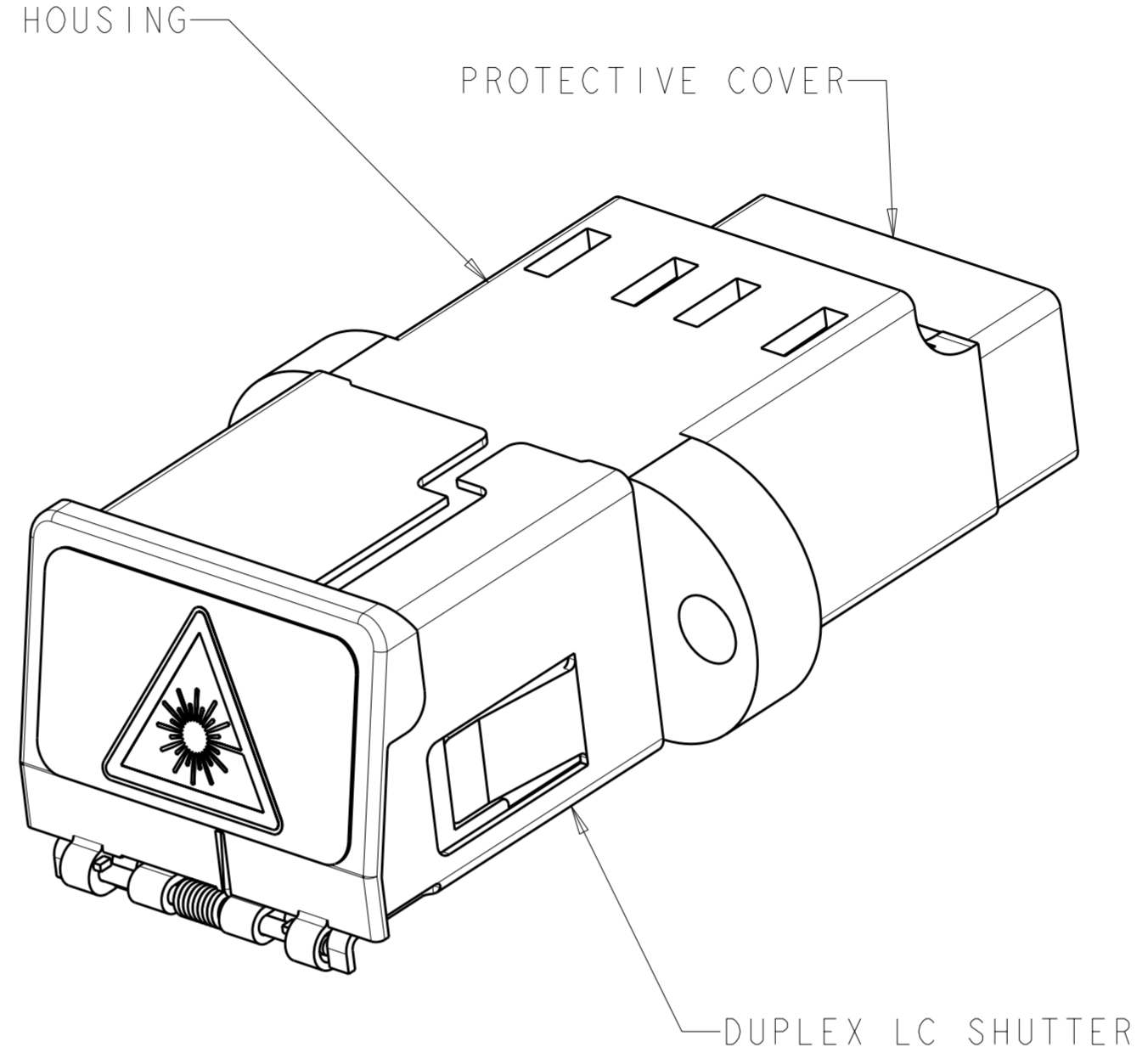
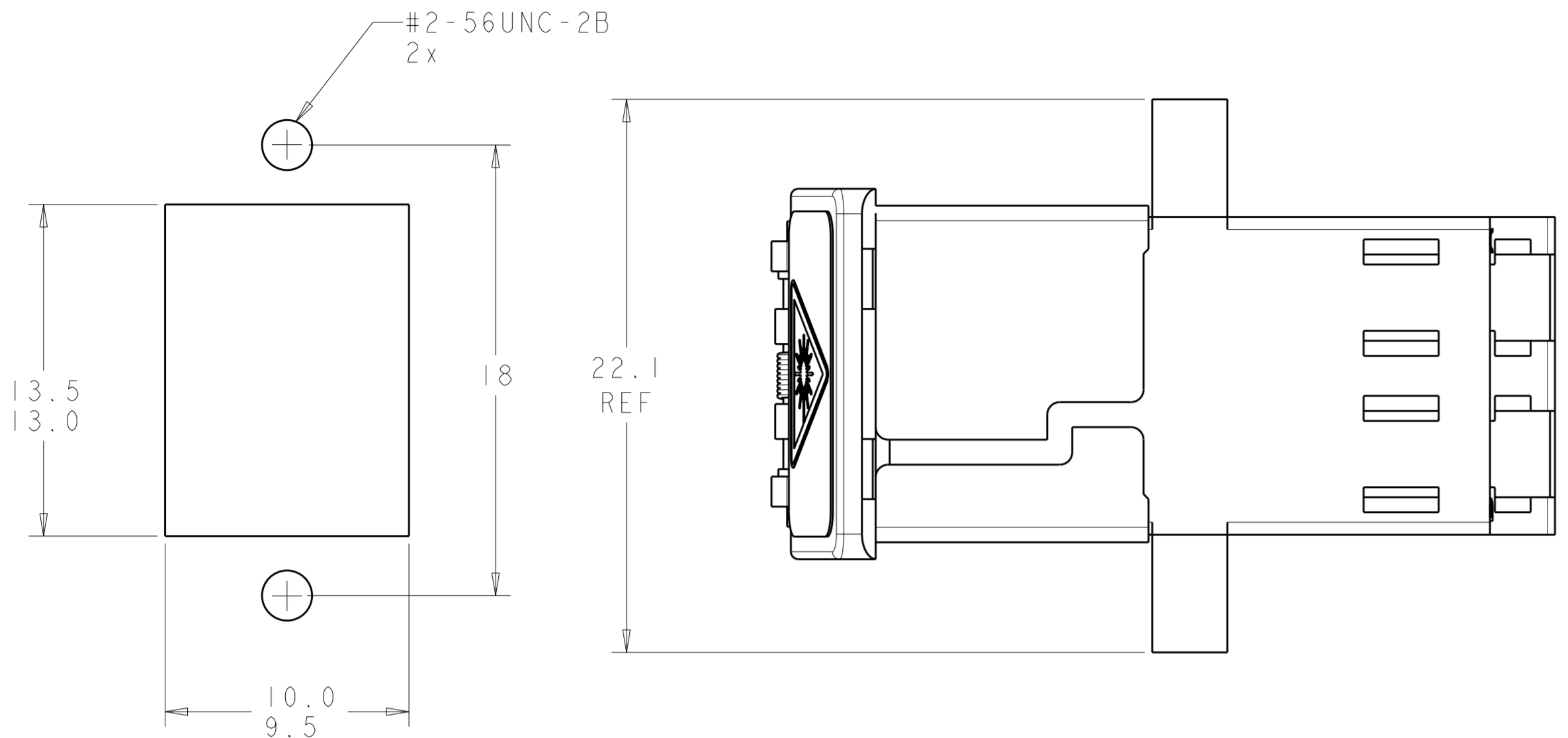
Tel: +86-755-8981 8866 Fax: +86-755-8427 6832

Email & Skype: info@chipsmall.com Web: www.chipsmall.com

Address: A1208, Overseas Decoration Building, #122 Zhenhua RD., Futian, Shenzhen, China



LOC	DIST	REVISIONS				
P	LTR	DESCRIPTION	DATE	DWN	APVD	
CE	00	A	ECR-09-013584	23JUN2009	BB SM	



MATERIAL:
 ADAPTER HOUSING: THERMOPLASTIC, COLOR: SEE TABLE*
 PROTECTIVE COVER: TPE, COLOR: BLACK*
 ALIGNMENT SLEEVES: CERAMIC
 SHUTTER HOUSING, SPRING, AND SHAFT: STAINLESS STEEL
 SHUTTER DOOR: POLYCARBONATE, COLOR: BLACK*
 LABEL: PET FILM, COLOR: SEE TABLE
 *UL 94 V-0 RATED AT QUALIFYING THICKNESS

ADAPTER COLOR	SHUTTER LABEL COLOR	PART NUMBER
BLACK	BEIGE	1-2064658-7
AQUA	AQUA	1-2064658-6
GREEN	GREEN	2064658-6
BEIGE	BEIGE	2064658-5
BLUE	BLUE	2064658-4

DIMENSIONS: mm		TOLERANCES UNLESS OTHERWISE SPECIFIED: 0 PLC ± 1 PLC ± 2 PLC ± 3 PLC ± 4 PLC ± ANGLES ± FINISH		DWN B. BRIGGS 21OCT2008 CHK S. MILLER 21OCT2008 APVD 21OCT2008		Tyco Electronics Harrisburg, PA 17105-3608	
MATERIAL:		PRODUCT SPEC:		NAME: SHUTTER ADAPTER, LC DUPLEX, FLANGED, SR-SR		SIZE: A200779 C=2064658	
CUSTOMER DRAWING		SCALE: 5:1		SHEET 1 OF 1		REV A	