



Chipsmall Limited consists of a professional team with an average of over 10 year of expertise in the distribution of electronic components. Based in Hongkong, we have already established firm and mutual-benefit business relationships with customers from,Europe,America and south Asia,supplying obsolete and hard-to-find components to meet their specific needs.

With the principle of "Quality Parts,Customers Priority,Honest Operation,and Considerate Service",our business mainly focus on the distribution of electronic components. Line cards we deal with include Microchip,ALPS,ROHM,Xilinx,Pulse,ON,Everlight and Freescale. Main products comprise IC,Modules,Potentiometer,IC Socket,Relay,Connector.Our parts cover such applications as commercial,industrial, and automotives areas.

We are looking forward to setting up business relationship with you and hope to provide you with the best service and solution. Let us make a better world for our industry!



## Contact us

Tel: +86-755-8981 8866 Fax: +86-755-8427 6832

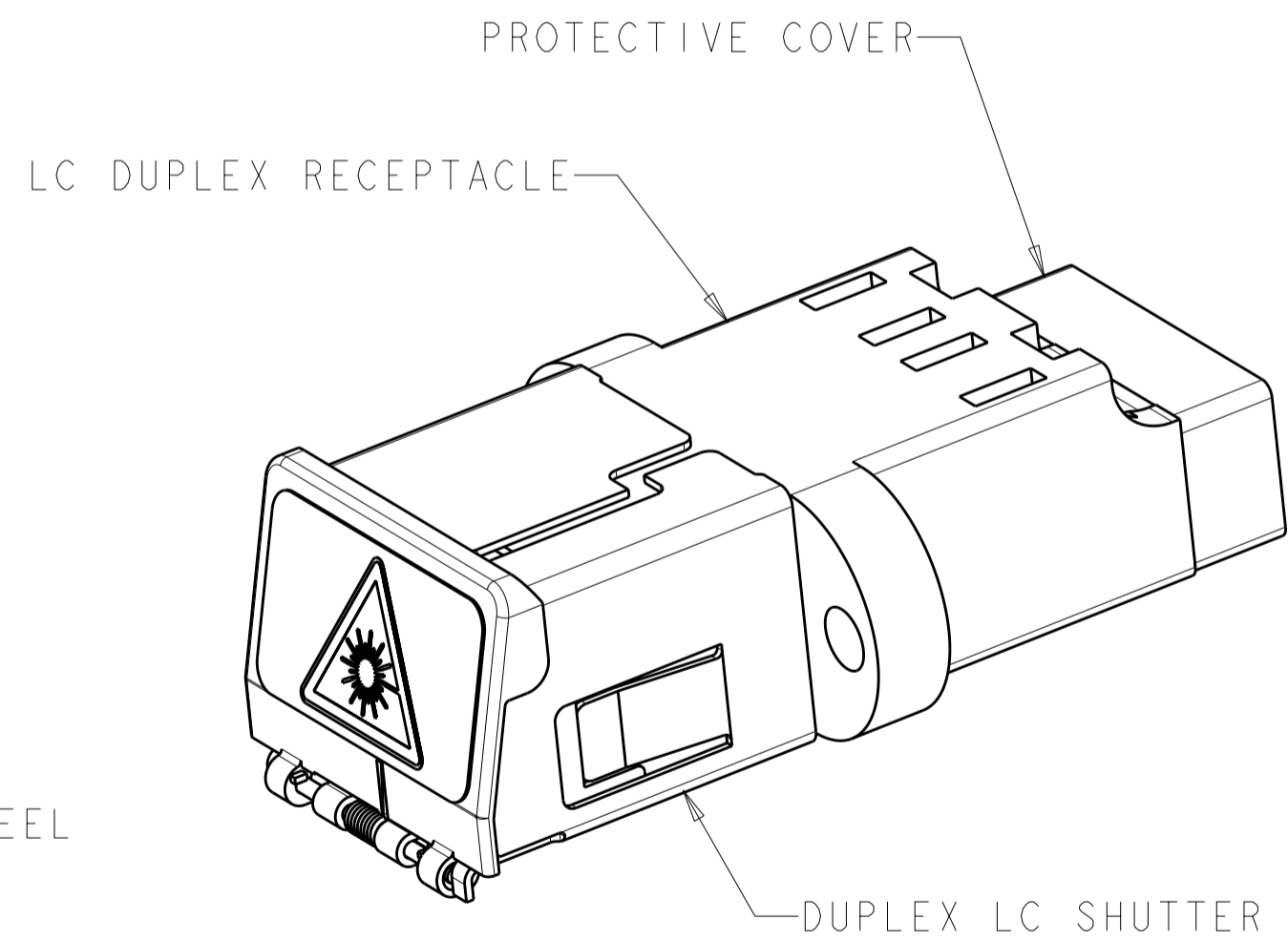
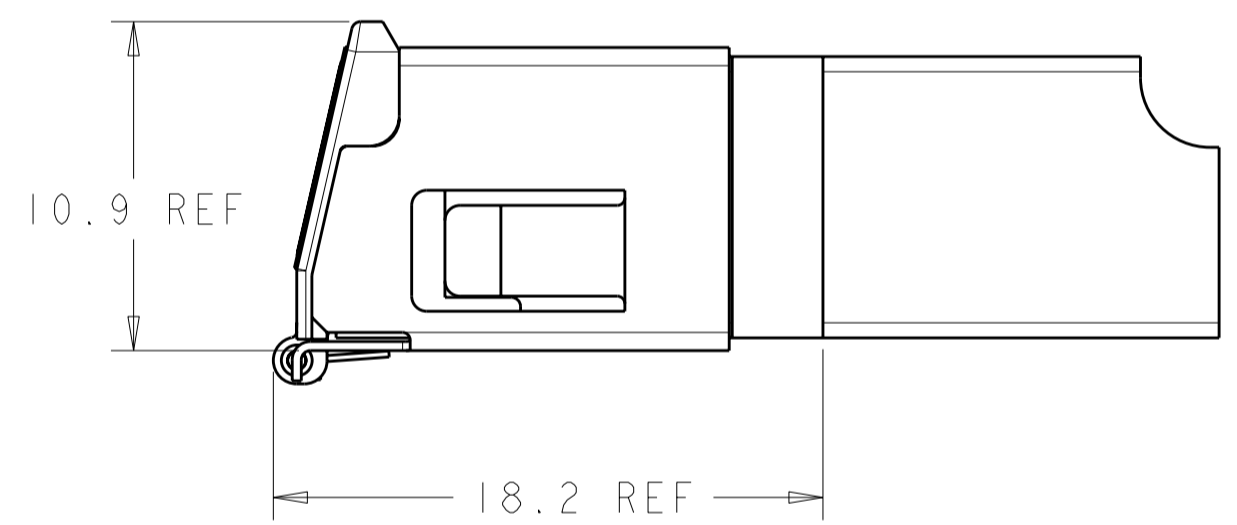
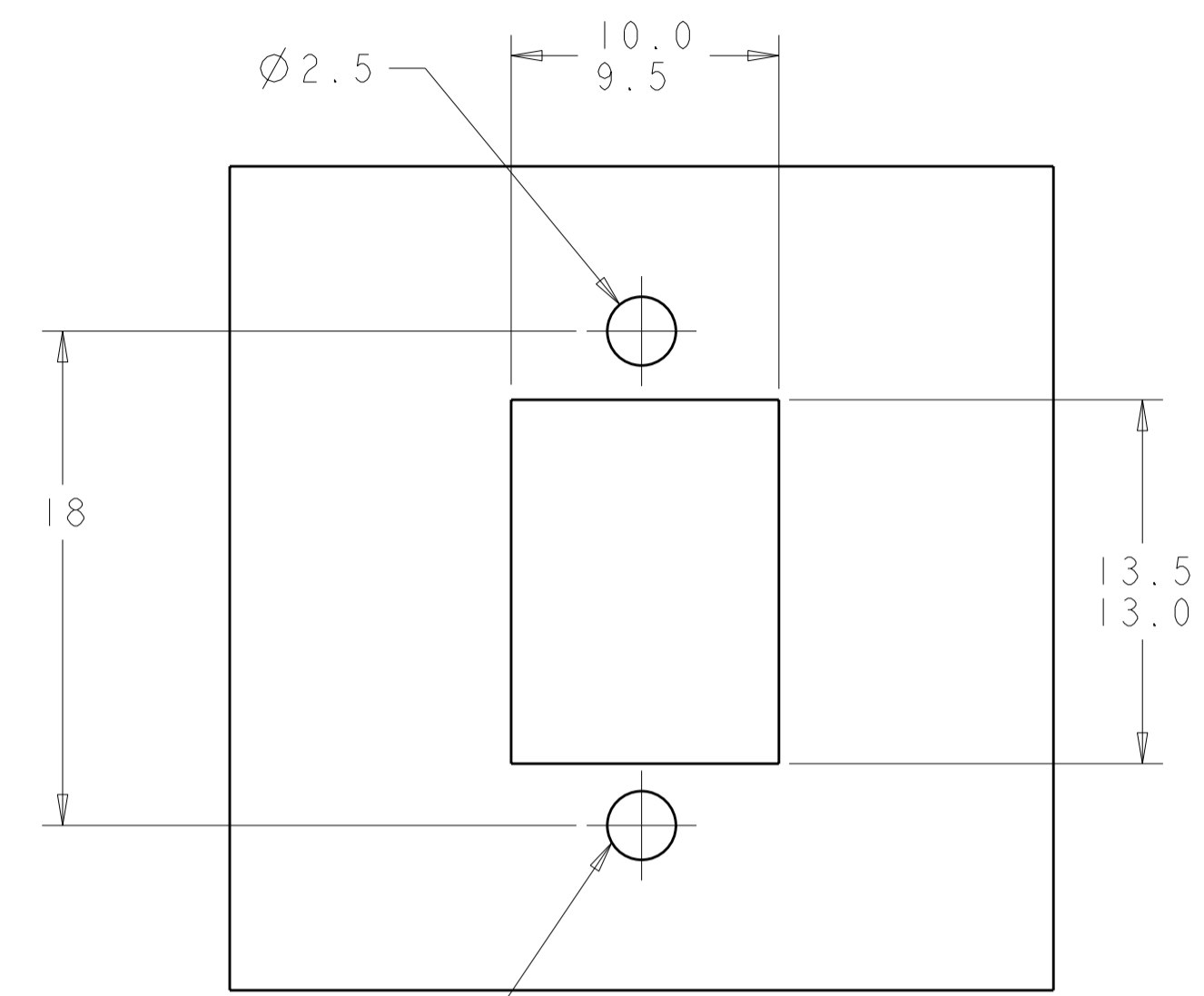
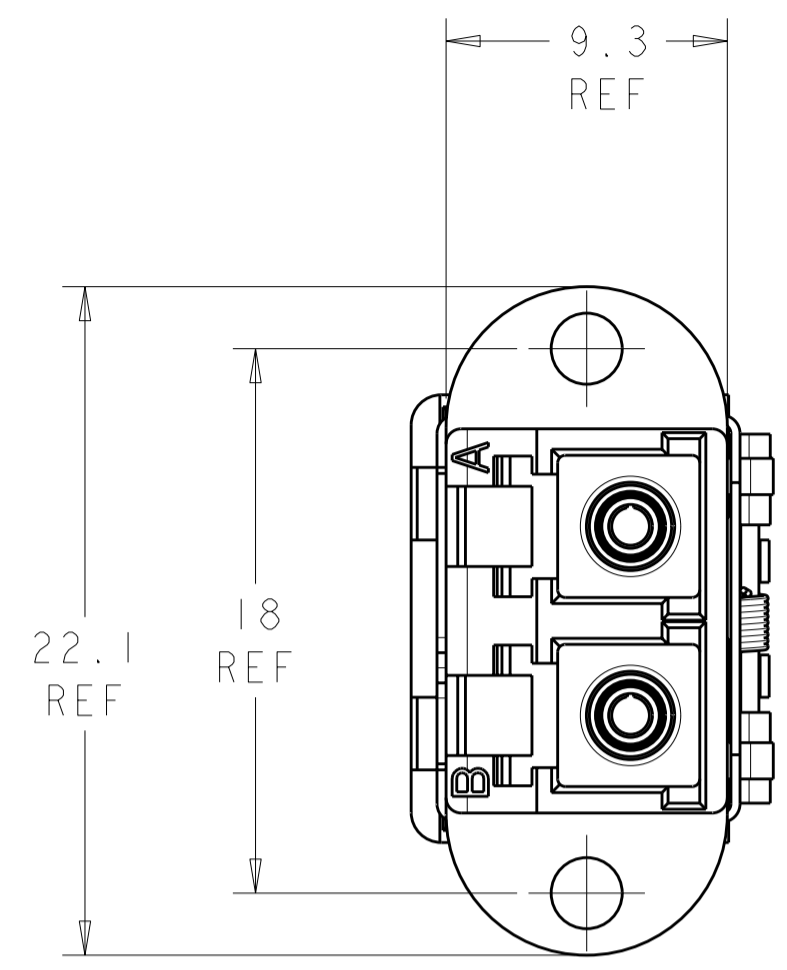
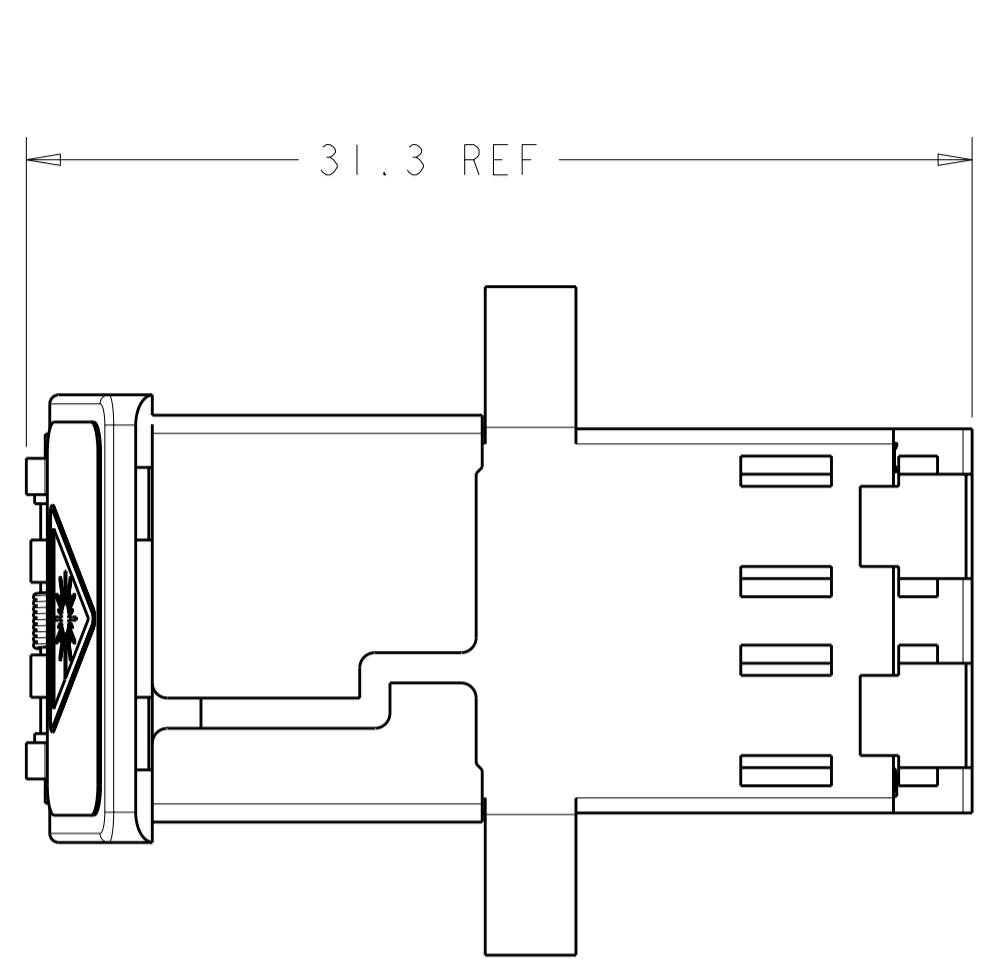
Email & Skype: info@chipsmall.com Web: www.chipsmall.com

Address: A1208, Overseas Decoration Building, #122 Zhenhua RD., Futian, Shenzhen, China



THIS DRAWING IS UNPUBLISHED. RELEASED FOR PUBLICATION 20  
 © COPYRIGHT 20 BY TYCO ELECTRONICS CORPORATION. ALL RIGHTS RESERVED.

LOC	DIST	REVISIONS			
P	LTR	DESCRIPTION	DATE	DWN	APVD
CE	00	A	ECR-09-013584	23JUN2009	BB SM



M2-0.4 OR #2-56UNC WHEN REQUIRED

RECOMMENDED PANEL CUTOUT MAX. THICKNESS 1.7.

1 MATERIAL:  
 HOUSING: ZINC DIE CAST  
 PROTECTIVE CAP: THERMOPLASTIC ELASTOMER  
 ALIGNMENT SLEEVE: CERAMIC  
 SHUTTER HOUSING, SPRING, AND SHAFT: STAINLESS STEEL  
 SHUTTER DOOR: POLYCARBONATE, COLOR: BLACK\*  
 LABEL: PET FILM, COLOR: BLUE  
 \*UL 94 V-0 RATED AT QUALIFYING THICKNESS

2 FINISH:  
 HOUSING: ELECTROLESS NICKEL OVER COPPER

2064685-1  
 PART NUMBER

<small>THIS DRAWING IS A CONTROLLED DOCUMENT FOR TYCO ELECTRONICS CORPORATION. IT IS SUBJECT TO CHANGE AND THE CONTROLLING ENGINEERING ORGANIZATION SHOULD BE CONTACTED FOR THE LATEST REVISION.</small>		DWN B. BRIGGS 03NOV2008 CHK S. MILLER 03NOV2008 APVD D. BAECHTLE 03NOV2008	<b>Tyco Electronics</b> Tyco Electronics Harrisburg, PA 17105-3608		
DIMENSIONS: mm 		TOLERANCES UNLESS OTHERWISE SPECIFIED: 0 PLC ±0.1 1 PLC ±0.1 2 PLC ± 3 PLC ± 4 PLC ± ANGLES ± FINISH	NAME ASSEMBLY, DUPLEX LC RECEPTACLE, METAL SIZE A2 CAGE CODE 00779 DRAWING NO. 2064685 RESTRICTED TO - SCALE 5:1 SHEET 1 OF 1 REV A		
MATERIAL 		PRODUCT SPEC - APPLICATION SPEC - WEIGHT - CUSTOMER DRAWING	SCALE 5:1 SHEET 1 OF 1 REV A		