



Chipsmall Limited consists of a professional team with an average of over 10 year of expertise in the distribution of electronic components. Based in Hongkong, we have already established firm and mutual-benefit business relationships with customers from,Europe,America and south Asia,supplying obsolete and hard-to-find components to meet their specific needs.

With the principle of “Quality Parts,Customers Priority,Honest Operation,and Considerate Service”,our business mainly focus on the distribution of electronic components. Line cards we deal with include Microchip,ALPS,ROHM,Xilinx,Pulse,ON,Everlight and Freescale. Main products comprise IC,Modules,Potentiometer,IC Socket,Relay,Connector.Our parts cover such applications as commercial,industrial, and automotives areas.

We are looking forward to setting up business relationship with you and hope to provide you with the best service and solution. Let us make a better world for our industry!



Contact us

Tel: +86-755-8981 8866 Fax: +86-755-8427 6832

Email & Skype: info@chipsmall.com Web: www.chipsmall.com

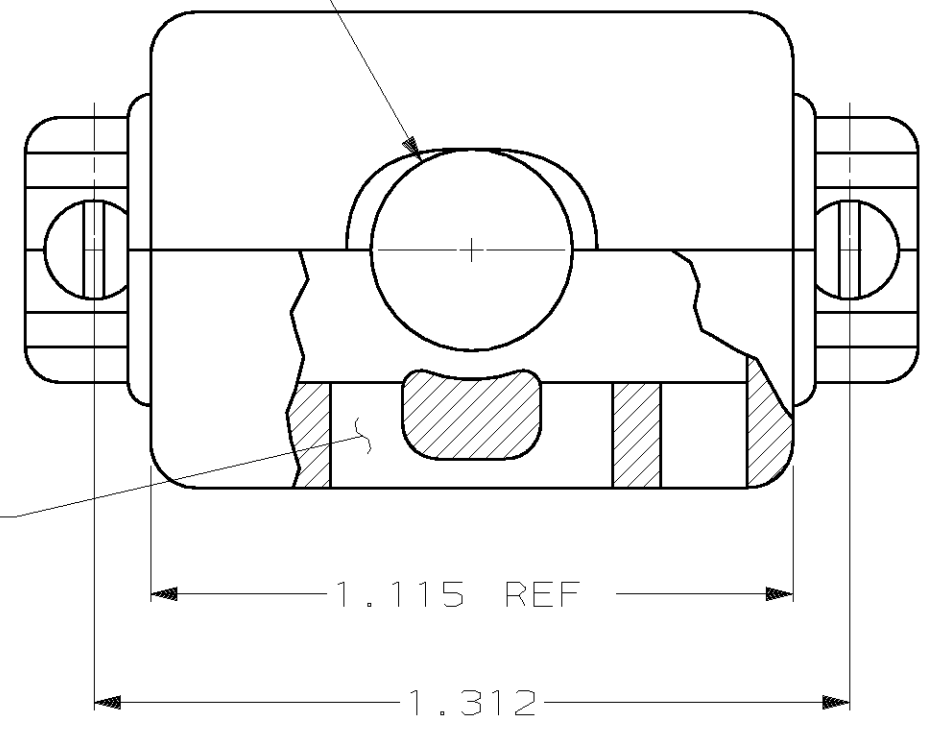
Address: A1208, Overseas Decoration Building, #122 Zhenhua RD., Futian, Shenzhen, China



THIS DRAWING IS UNPUBLISHED. RELEASED FOR PUBLICATION
 © COPYRIGHT 19 BY AMP INCORPORATED. ALL INTERNATIONAL RIGHTS RESERVED.

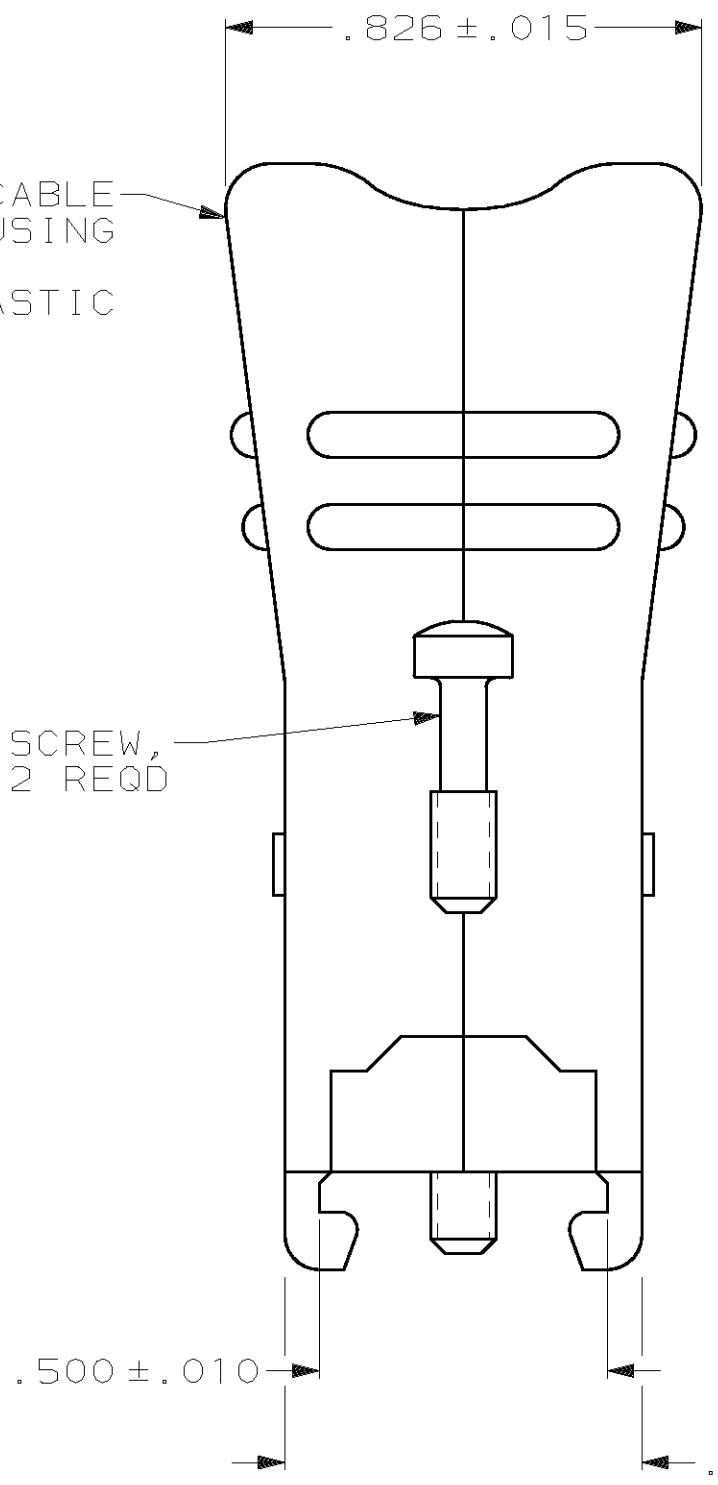
| MOD | LOC | DIST | P | F | ZONE | LTR | DESCRIPTION | DATE | APPD |
|-----|-----|------|---|---|------|-----|-------------------------|-----------|------|
| - | GP | 00 | | | | | REV PER EC OUID-0247-00 | 16 JAN 02 | JR |

.350 DIA MAX
CABLE OPENING



TWO PIECE CABLE
SUPPORT HOUSING
MATERIAL:
THERMOPLASTIC

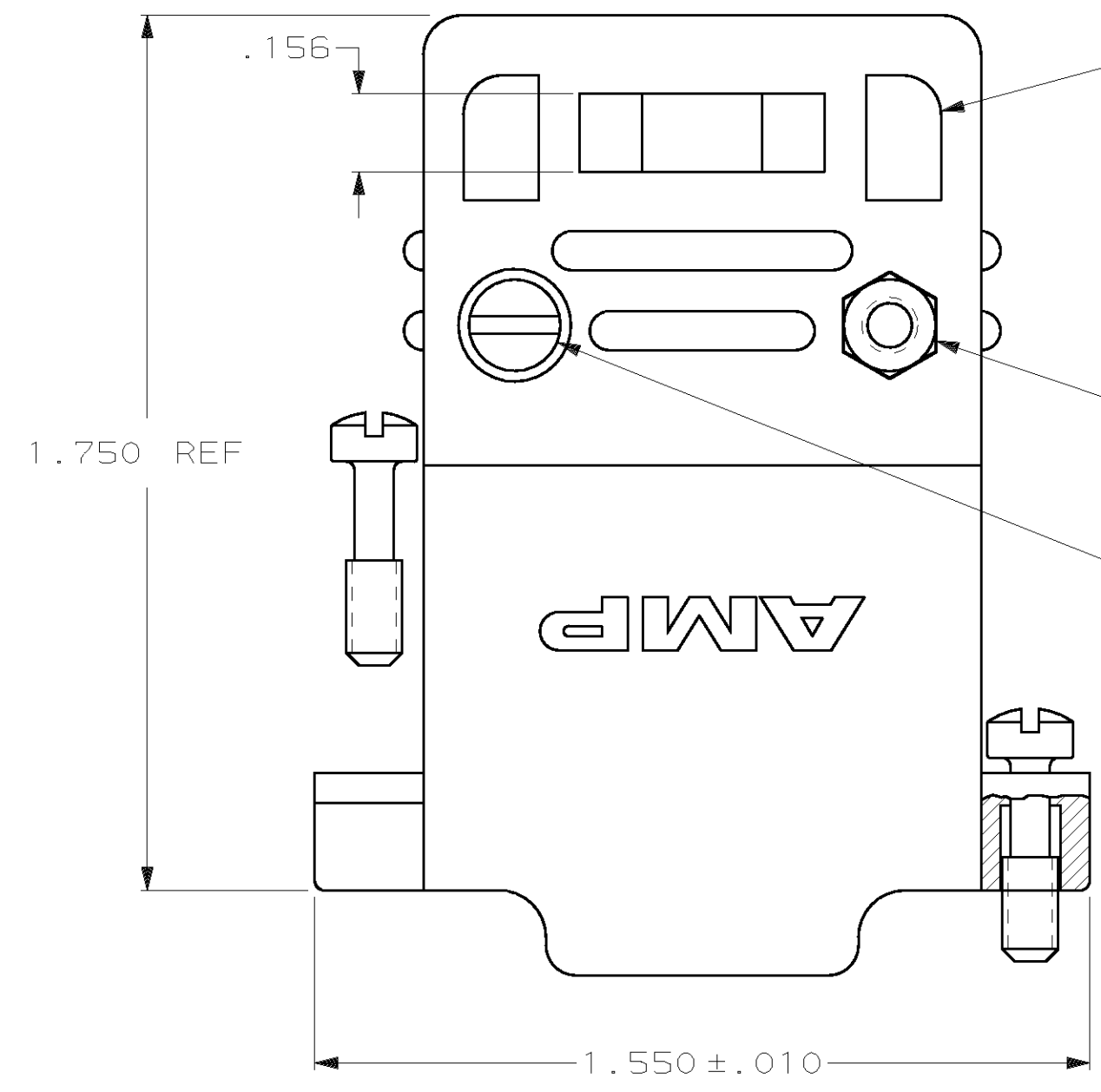
#4-40 CRS SCREW,
ZINC PLATED, 2 REQD



EXTERNAL CABLE
TIE OPENINGS.

#4-40 HEX NUT STEEL
ZINC PLATED, 2 REQD

#4-40 CRS SCREW,
ZINC PLATED, 2 REQD



| | | |
|-----------|----------|-------------|
| OBSOLETE | 3 | 206471-2 |
| | AS SHOWN | 206471-1 |
| PACKAGING | | PART NUMBER |

- THIS PART WILL FIT ANY STANDARD SIZE 2 PLUG OR RECEPTACLE IN THE AMPLIMITE SERIES.
 - ALL PARTS ARE PACKAGED UNASSEMBLED.
- 3 SAME AS -1 EXCEPT EACH PART BULK PACKED, MINIMUM ORDER 10,000 KITS.

| | | | | |
|--|---|---|------------------|---|
| DO NOT SCALE PRINT. UNLESS SPECIFIED DIMENSIONS IN INCHES TOLERANCES ON : 2 PLC DEC ± - 3 PLC DEC ± .005 ANGLES ± - | DR 5-3-90 J GALLUCCI BG | AMP INCORPORATED Harrisburg, Pa. 17105 | | |
| MATERIAL SEE CALLOUT | CHK - APPD - APPD - PRODUCT SPEC - | | | NAME CABLE CLAMP ASSEMBLY, SIZE 2, 15 POSITION, AMPLIMITE™ HD-20 |
| FINISH SEE CALLOUT | APPLICATION SPEC - WEIGHT - | SIZE C | FSCM NO 00779 | DRAWING NO 206471 |
| | | SCALE 4:1 | | SHEET 1 OF 1 |