



Chipsmall Limited consists of a professional team with an average of over 10 year of expertise in the distribution of electronic components. Based in Hongkong, we have already established firm and mutual-benefit business relationships with customers from,Europe,America and south Asia,supplying obsolete and hard-to-find components to meet their specific needs.

With the principle of “Quality Parts,Customers Priority,Honest Operation,and Considerate Service”,our business mainly focus on the distribution of electronic components. Line cards we deal with include Microchip,ALPS,ROHM,Xilinx,Pulse,ON,Everlight and Freescale. Main products comprise IC,Modules,Potentiometer,IC Socket,Relay,Connector.Our parts cover such applications as commercial,industrial, and automotives areas.

We are looking forward to setting up business relationship with you and hope to provide you with the best service and solution. Let us make a better world for our industry!



## Contact us

Tel: +86-755-8981 8866 Fax: +86-755-8427 6832

Email & Skype: info@chipsmall.com Web: www.chipsmall.com

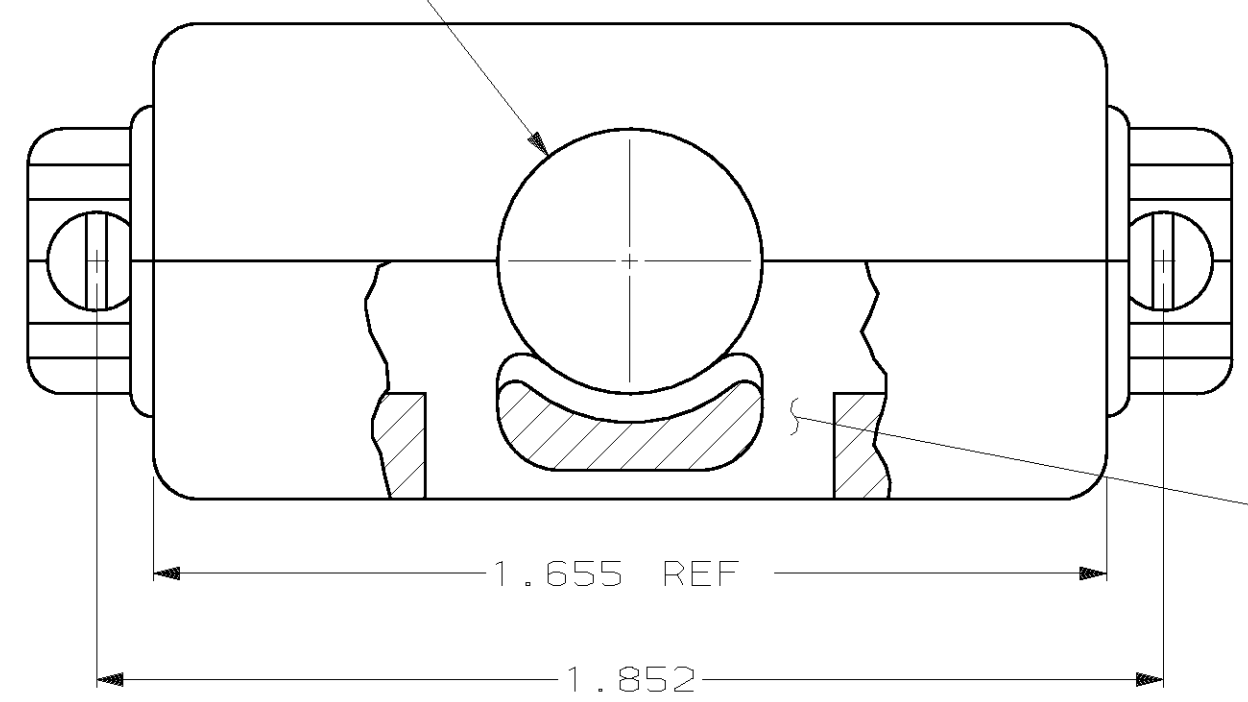
Address: A1208, Overseas Decoration Building, #122 Zhenhua RD., Futian, Shenzhen, China



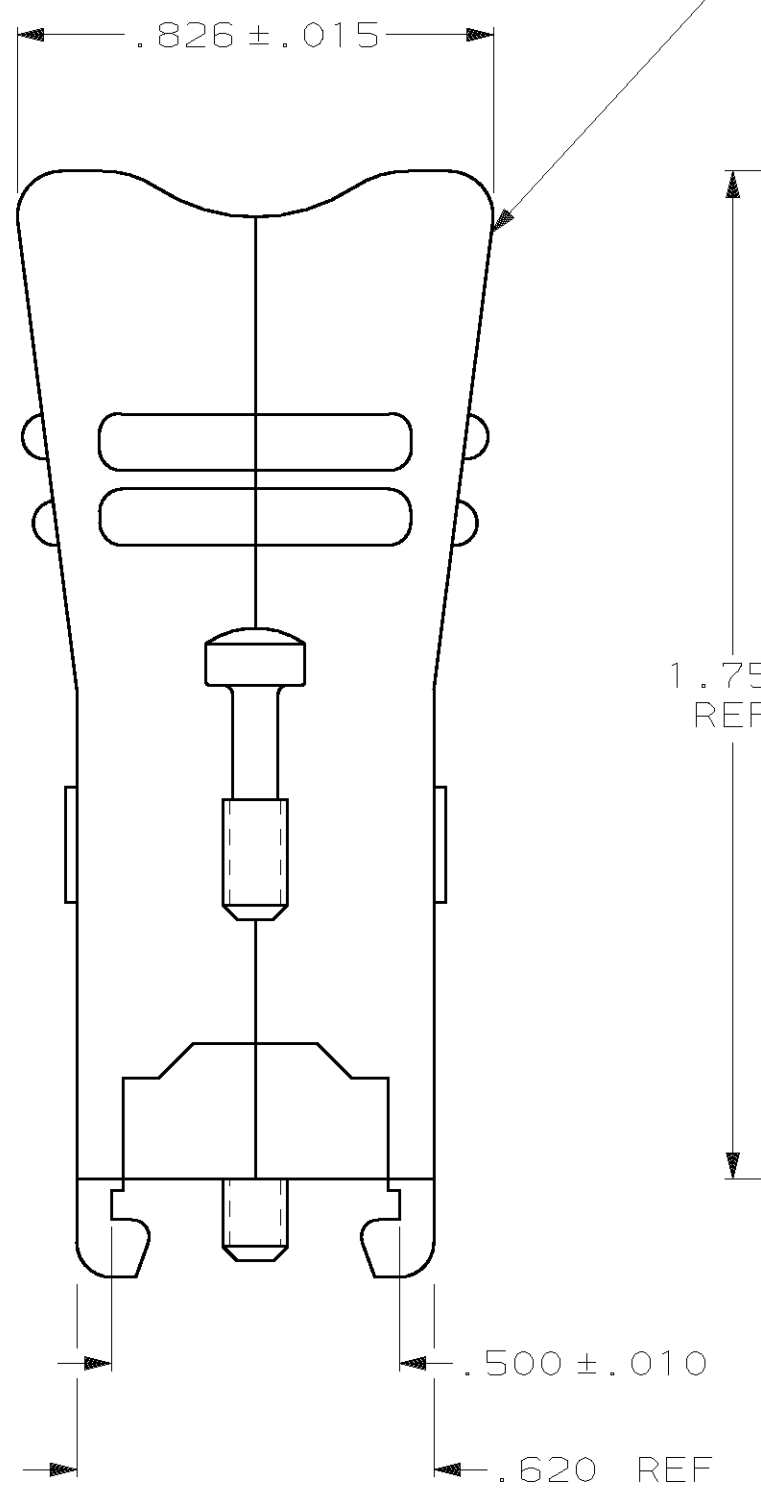
THIS DRAWING IS UNPUBLISHED. RELEASED FOR PUBLICATION ,19 .  
 © COPYRIGHT 19 BY AMP INCORPORATED. ALL INTERNATIONAL RIGHTS RESERVED.

REVISIONS									
MOD	LOC	DIST	P	F	ZONE	LTR	DESCRIPTION	DATE	APPD
-	GP	00				F	REV PER EC OUID-0247-00	16 JAN 02	JR

.335 MAX DIA  
CABLE OPENING



TWO PIECE CABLE  
SUPPORT HOUSING.  
MATERIAL: THERMOPLASTIC



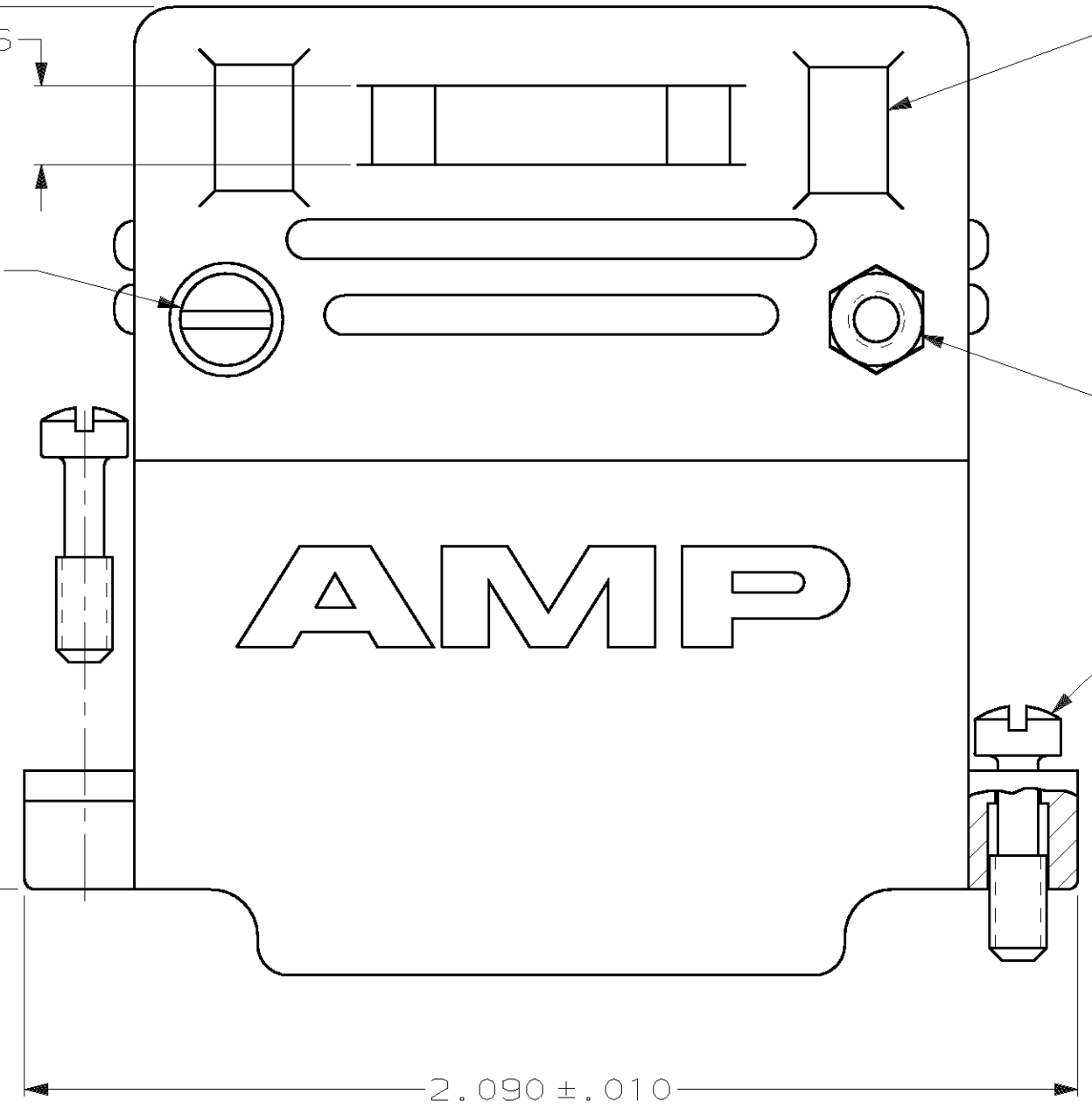
INTERNAL CABLE  
TIE OPENINGS

EXTERNAL CABLE  
TIE OPENINGS

#4-40 STEEL,  
SCREW,  
ZINC PLATED,  
2 REQD

#4-40 HEX NUT, STEEL,  
ZINC PLATED

#4-40 CRS SCREW,  
ZINC PLATED, 2 REQD



OBSOLETE	BULK PACKAGED	206472-2
	1 KIT PER POLY BAG	206472-1
	PACKAGING	PART NUMBER

- THIS PART WILL FIT ANY STANDARD SIZE 3 PLUG OR RECEPTACLE IN THE AMPLIMITE SERIES.
- ALL PARTS ARE PACKAGED UNASSEMBLED.

DO NOT SCALE PRINT. UNLESS SPECIFIED DIMENSIONS IN INCHES TOLERANCES ON : 2 PLC DEC ± - 3 PLC DEC ± .005 ANGLES ± -	DR 5-8-90 J GALLUCCI BG	AMP INCORPORATED Harrisburg, Pa. 17105	
	CHK -		
MATERIAL	APPD -	CABLE CLAMP ASSEMBLY, 180° SIZE 3, 25 POSITION, AMPLIMITE	
SEE CALLOUT	APPD -		
FINISH	PRODUCT SPEC	SIZE	FSCM NO
SEE CALLOUT	-	C	00779
	APPLICATION SPEC	SCALE	DRAWING NO
	-	3:1	206472
	WEIGHT -		SHEET 1 OF 1