



Chipsmall Limited consists of a professional team with an average of over 10 year of expertise in the distribution of electronic components. Based in Hongkong, we have already established firm and mutual-benefit business relationships with customers from,Europe,America and south Asia,supplying obsolete and hard-to-find components to meet their specific needs.

With the principle of “Quality Parts,Customers Priority,Honest Operation,and Considerate Service”,our business mainly focus on the distribution of electronic components. Line cards we deal with include Microchip,ALPS,ROHM,Xilinx,Pulse,ON,Everlight and Freescale. Main products comprise IC,Modules,Potentiometer,IC Socket,Relay,Connector.Our parts cover such applications as commercial,industrial, and automotives areas.

We are looking forward to setting up business relationship with you and hope to provide you with the best service and solution. Let us make a better world for our industry!



## Contact us

Tel: +86-755-8981 8866 Fax: +86-755-8427 6832

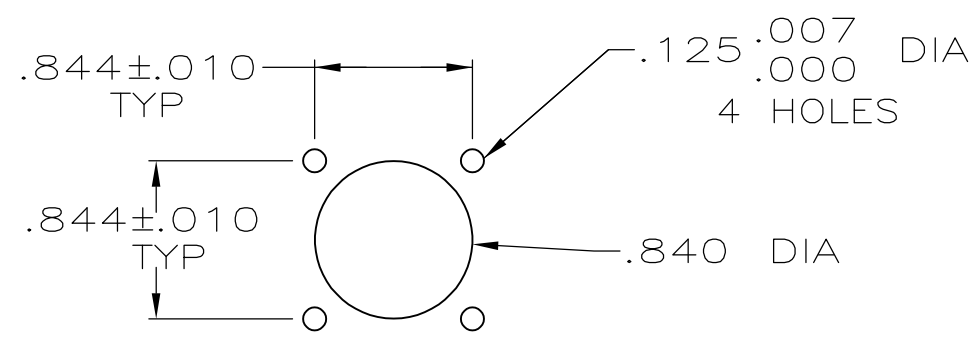
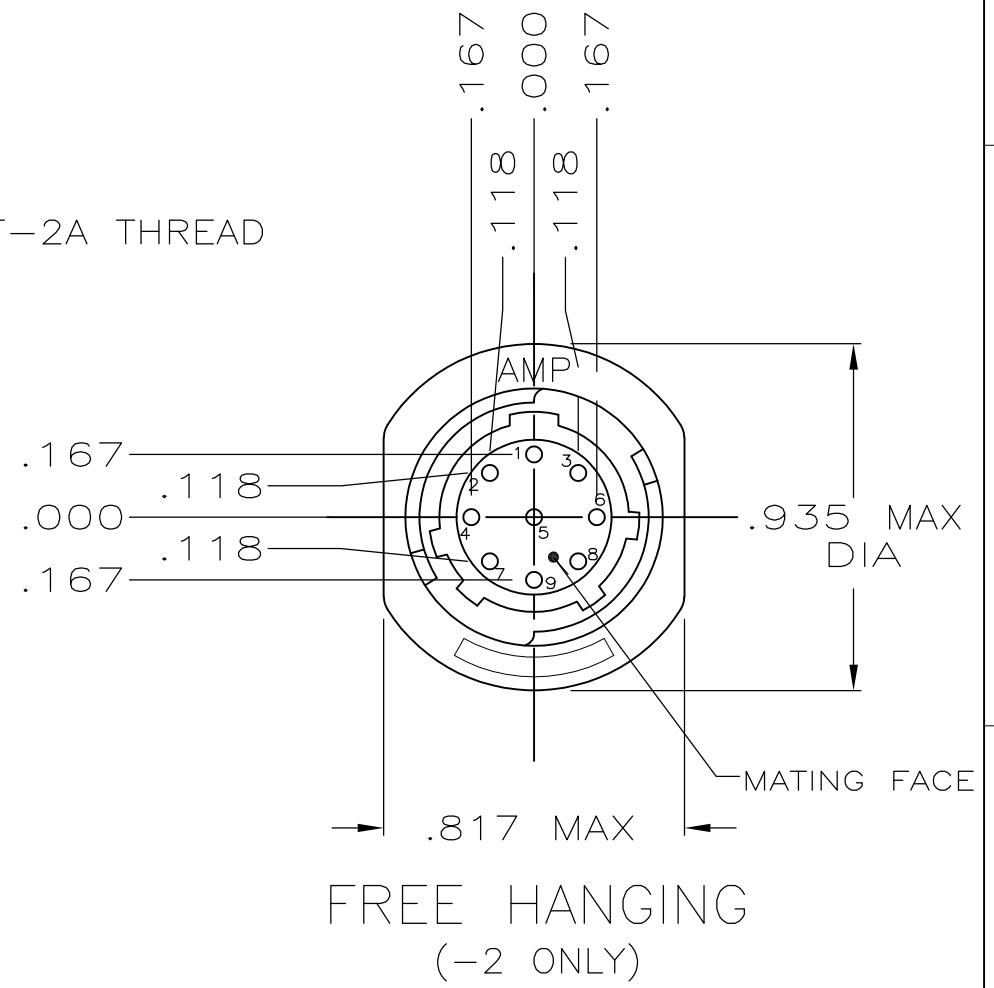
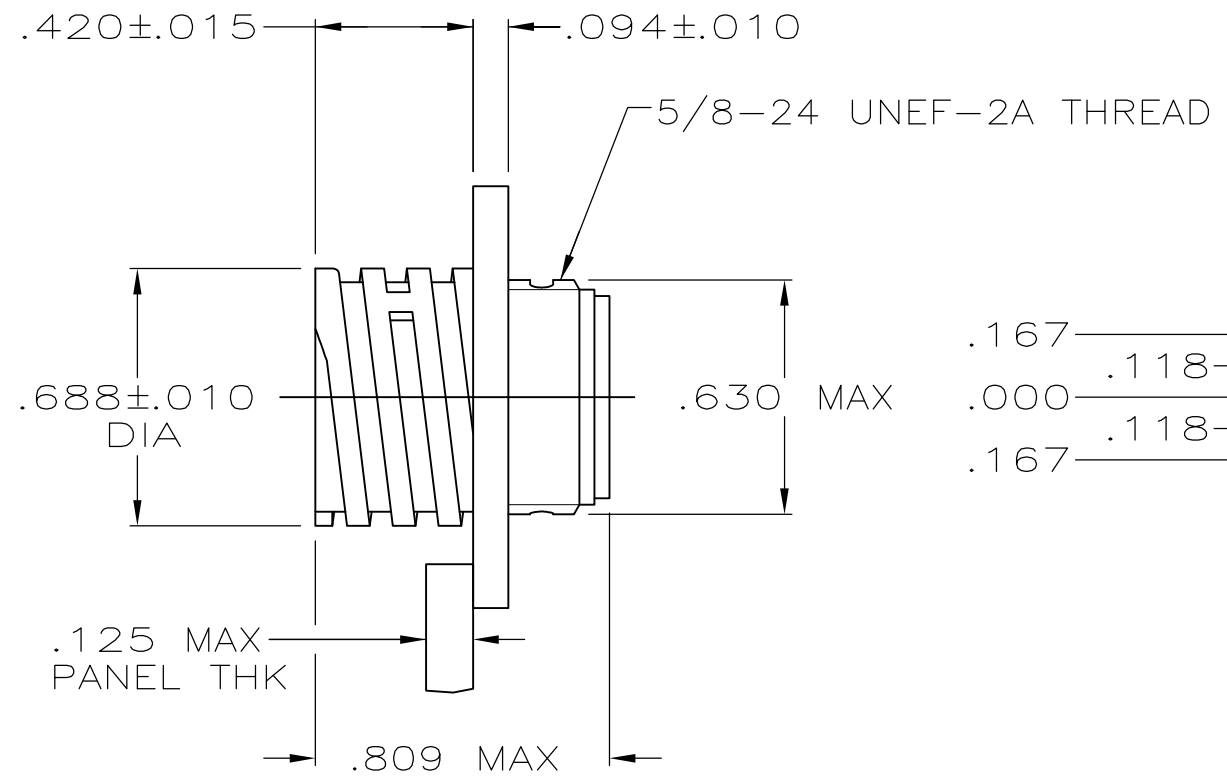
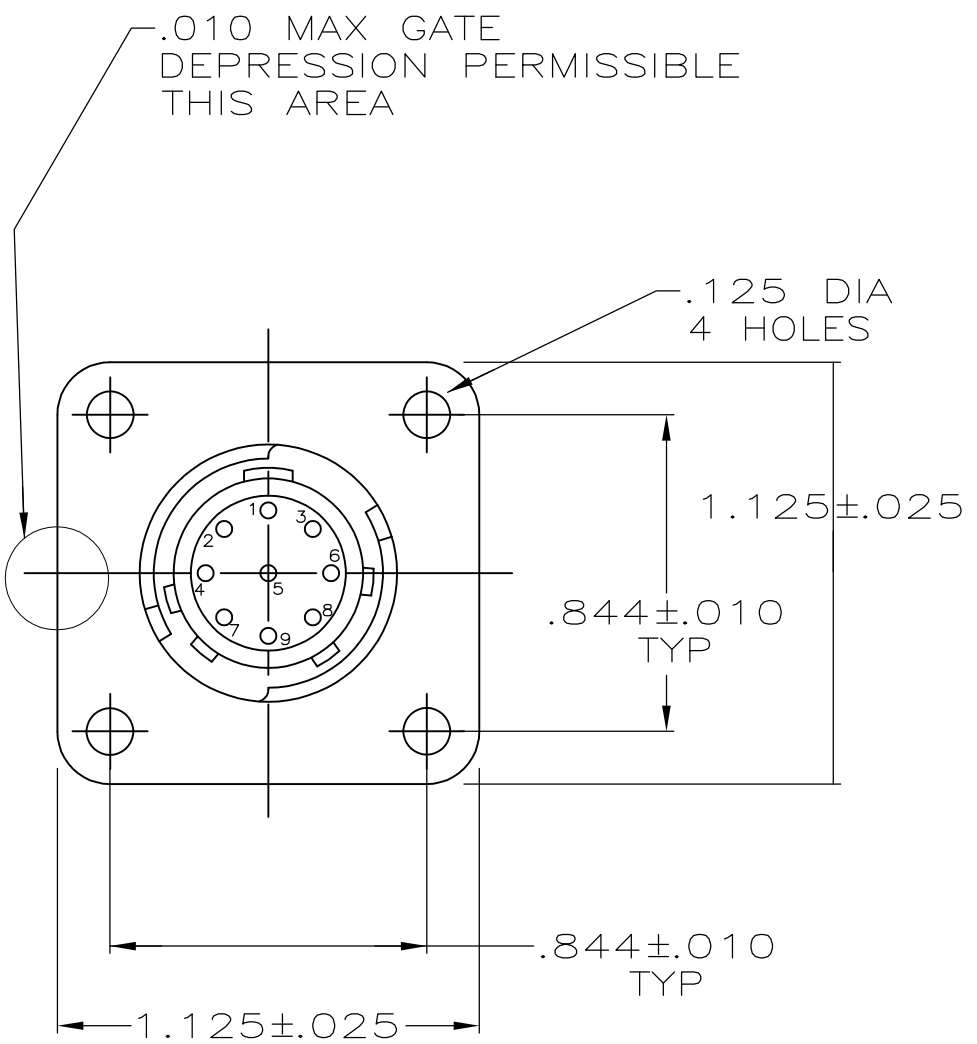
Email & Skype: info@chipsmall.com Web: www.chipsmall.com

Address: A1208, Overseas Decoration Building, #122 Zhenhua RD., Futian, Shenzhen, China



THIS DRAWING IS UNPUBLISHED. RELEASED FOR PUBLICATION  
 © COPYRIGHT - By - ALL RIGHTS RESERVED.

LOC	DIST	REVISIONS			
P	LTR	DESCRIPTION	DATE	DWN	APVD
FT	0	K1	REVISED PER ECO-11-004587	11MAR11	RK HMR



PANEL CUTOUT  
SCALE 1:1

- CONTACT CAVITIES IDENTIFIED BY CHARACTERS ON FRONT AND REAR FACES OF CONNECTOR.
- WILL ACCEPT (9) SIZE 20 PIN CONTACTS.

206486-2
206486-1
PART NUMBER

THIS DRAWING IS A CONTROLLED DOCUMENT.		DWN	A.STAUB BG	4/1/91	<b>STE</b> TE Connectivity		
DIMENSIONS: INCHES		CHK	W.G.LENKER	7-27-92			
TOLERANCES UNLESS OTHERWISE SPECIFIED:		APVD	K.BEAVER	7-27-92	NAME		
0 PLC	± -	PRODUCT SPEC		108-10024			RECEPTACLE ASSEMBLY, STD SEX, SERIES 2, 11-9, CPC
1 PLC	± -	APPLICATION SPEC		-			RESTRICTED TO
2 PLC	± -	MATERIAL		WEIGHT			SIZE
3 PLC	± .005	THERMOPLASTIC, BLACK		-			CAGE CODE
4 PLC	± -	FINISH		-			DRAWING NO
ANGLES	± -	CUSTOMER DRAWING		A300779			REV
		SCALE		2:1			SHEET
		SHEET		1 OF 1			REV
		REV		K1			