



Chipsmall Limited consists of a professional team with an average of over 10 year of expertise in the distribution of electronic components. Based in Hongkong, we have already established firm and mutual-benefit business relationships with customers from,Europe,America and south Asia,supplying obsolete and hard-to-find components to meet their specific needs.

With the principle of “Quality Parts,Customers Priority,Honest Operation,and Considerate Service”,our business mainly focus on the distribution of electronic components. Line cards we deal with include Microchip,ALPS,ROHM,Xilinx,Pulse,ON,Everlight and Freescale. Main products comprise IC,Modules,Potentiometer,IC Socket,Relay,Connector.Our parts cover such applications as commercial,industrial, and automotives areas.

We are looking forward to setting up business relationship with you and hope to provide you with the best service and solution. Let us make a better world for our industry!



## Contact us

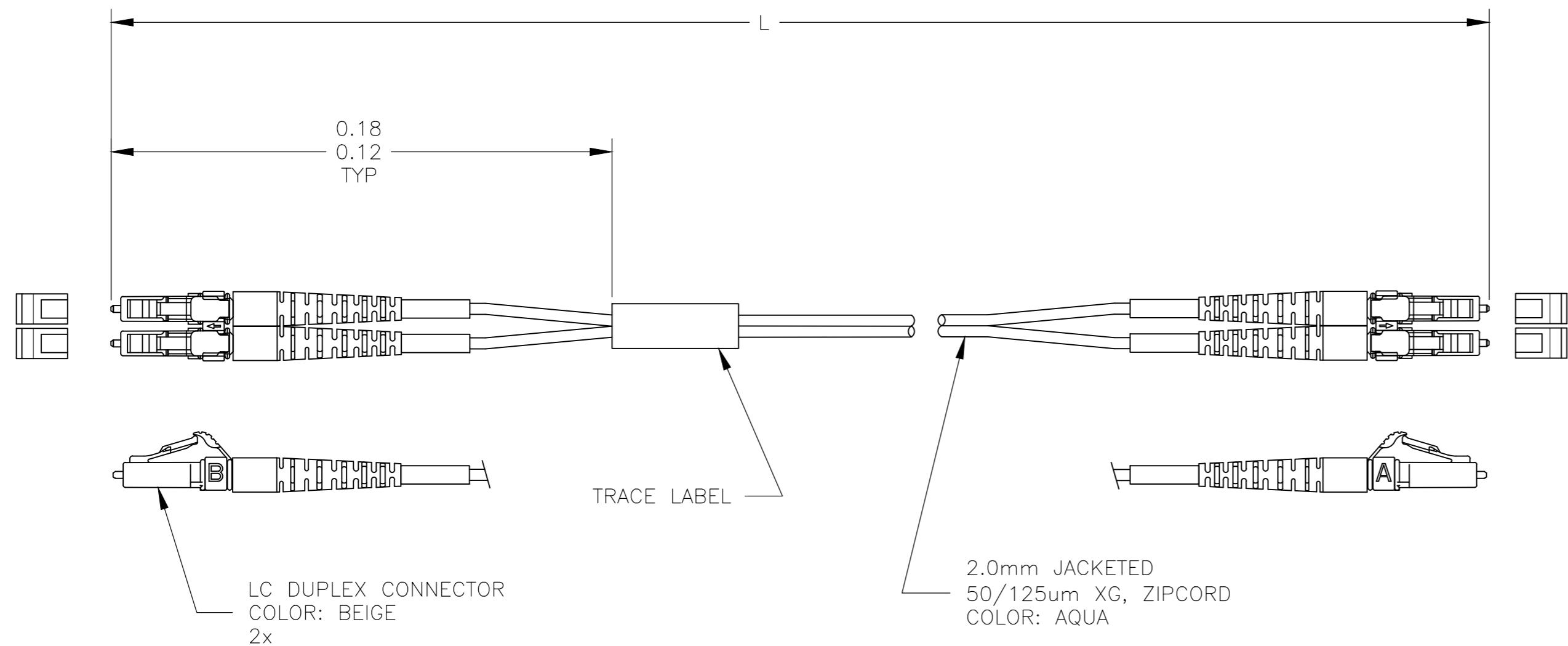
Tel: +86-755-8981 8866 Fax: +86-755-8427 6832

Email & Skype: info@chipsmall.com Web: www.chipsmall.com

Address: A1208, Overseas Decoration Building, #122 Zhenhua RD., Futian, Shenzhen, China



LOC	DIST	REVISIONS					
CE	-	P	LTR	DESCRIPTION	DATE	DWN	APVD
		B1		ADD 9-1 FOR 0.3M LENGTH	14AUG15	SW	RZ



1 MAXIMUM CONNECTOR INSERTION LOSS IS 0.5dB PLUS CABLE ATTENUATION OF 3.5dB/km AT 850nm. (SEE TABLE)

2. PRODUCT AND PROCESSING MUST MEET REQUIREMENTS OF TEC-138-702.

INSERTION LOSS (dB) <sup>1</sup>	L METERS [INCHES]	PART NUMBER
0.85	100.00±1.00 [3937.0±39.0]	9-2064862-9
0.50	0.30±0.03 [11.8±1.2]	9-2064862-1
0.68	50.00±0.50 [1969.0±20.0]	5-2064862-0
0.64	40.00±0.40 [1575.0±16.0]	4-2064862-0
0.64	39.00±0.39 [1535.4±15.0]	3-2064862-9
0.63	38.00±0.38 [1496.1±15.0]	3-2064862-8
0.63	37.00±0.37 [1456.7±15.0]	3-2064862-7
0.63	36.00±0.36 [1417.3±14.0]	3-2064862-6
0.62	35.00±0.35 [1377.9±14.0]	3-2064862-5
0.62	34.00±0.34 [1338.6±13.0]	3-2064862-4
0.62	33.00±0.33 [1299.2±13.0]	3-2064862-3
0.61	32.00±0.30 [1259.8±12.0]	3-2064862-2
0.61	31.00±0.30 [1220.5±12.0]	3-2064862-1
0.61	30.00±0.30 [1181.0±12.0]	3-2064862-0
0.60	29.00±0.30 [1141.7±12.0]	2-2064862-9
0.60	28.00±0.30 [1102.4±12.0]	2-2064862-8
0.59	27.00±0.30 [1063.0±12.0]	2-2064862-7
0.59	24.00±0.30 [944.9±12.0]	2-2064862-6
0.59	25.00±0.30 [984.2±12.0]	2-2064862-5
0.58	24.00±0.30 [944.9±12.0]	2-2064862-4
0.58	23.00±0.30 [905.5±12.0]	2-2064862-3
0.58	22.00±0.30 [866.1±12.0]	2-2064862-2
0.57	21.00±0.30 [826.8±12.0]	2-2064862-1
0.57	20.00±0.30 [787.0±12.0]	2-2064862-0
0.57	19.00±0.30 [748.0±12.0]	1-2064862-9
0.56	18.00±0.30 [708.7±12.0]	1-2064862-8
0.56	17.00±0.17 [669.3±7.0]	1-2064862-7
0.56	16.00±0.16 [629.9±7.0]	1-2064862-6
0.55	15.00±0.15 [590.6±6.0]	1-2064862-5
0.55	14.00±0.15 [551.2±6.0]	1-2064862-4
0.55	13.00±0.15 [511.8±6.0]	1-2064862-3
0.54	12.00±0.15 [472.4±6.0]	1-2064862-2
0.54	11.00±0.15 [433.1±6.0]	1-2064862-1
0.54	10.00±0.15 [394±6.0]	1-2064862-0
0.53	9.00±0.15 [354.6±6.0]	2064862-9
0.53	8.00±0.15 [315.0±6.0]	2064862-8
0.52	7.00±0.08 [275.6±3.0]	2064862-7
0.52	6.00±0.08 [236.2±3.0]	2064862-6
0.52	5.00±0.08 [196.9±3.0]	2064862-5
0.51	4.00±0.08 [157.5±3.0]	2064862-4
0.51	3.00±0.05 [118.1±2.0]	2064862-3
0.51	2.00±0.05 [78.7±2.0]	2064862-2
0.50	1.00±0.05 [39.4±2.0]	2064862-1

THIS DRAWING IS A CONTROLLED DOCUMENT.		DWN B.BRIGGS 12MAY2010																							
DIMENSIONS: METERS [INCHES]		CHK J.DUNCAN 08JUN2010																							
TOLERANCES UNLESS OTHERWISE SPECIFIED:		APVD J.DUNCAN 08JUN2010	NAME																						
<table border="1"> <tr><td>0 PLC</td><td>±</td><td>-</td></tr> <tr><td>1 PLC</td><td>±</td><td>-</td></tr> <tr><td>2 PLC</td><td>±</td><td>-</td></tr> <tr><td>3 PLC</td><td>±</td><td>-</td></tr> <tr><td>4 PLC</td><td>±</td><td>-</td></tr> <tr><td>ANGLES</td><td>±</td><td>-</td></tr> <tr><td>FINISH</td><td>-</td><td>-</td></tr> </table>		0 PLC	±	-	1 PLC	±	-	2 PLC	±	-	3 PLC	±	-	4 PLC	±	-	ANGLES	±	-	FINISH	-	-	PRODUCT SPEC	CABLE ASSEMBLY, FIBER OPTIC, 2.0mm OFNR, OM3, LC DUPLEX TO LC DUPLEX	
0 PLC	±	-																							
1 PLC	±	-																							
2 PLC	±	-																							
3 PLC	±	-																							
4 PLC	±	-																							
ANGLES	±	-																							
FINISH	-	-																							
MATERIAL		APPLICATION SPEC	SIZE	CAGE CODE	DRAWING NO	RESTRICTED TO																			
-		WEIGHT	A2	00779	C-2064862	-																			
		CUSTOMER DRAWING	SCALE	NTS	SHEET	1 OF 1																			
						REV B1																			