



Chipsmall Limited consists of a professional team with an average of over 10 year of expertise in the distribution of electronic components. Based in Hongkong, we have already established firm and mutual-benefit business relationships with customers from,Europe,America and south Asia,supplying obsolete and hard-to-find components to meet their specific needs.

With the principle of "Quality Parts,Customers Priority,Honest Operation,and Considerate Service",our business mainly focus on the distribution of electronic components. Line cards we deal with include Microchip,ALPS,ROHM,Xilinx,Pulse,ON,Everlight and Freescale. Main products comprise IC,Modules,Potentiometer,IC Socket,Relay,Connector.Our parts cover such applications as commercial,industrial, and automotives areas.

We are looking forward to setting up business relationship with you and hope to provide you with the best service and solution. Let us make a better world for our industry!



Contact us

Tel: +86-755-8981 8866 Fax: +86-755-8427 6832

Email & Skype: info@chipsmall.com Web: www.chipsmall.com

Address: A1208, Overseas Decoration Building, #122 Zhenhua RD., Futian, Shenzhen, China



4

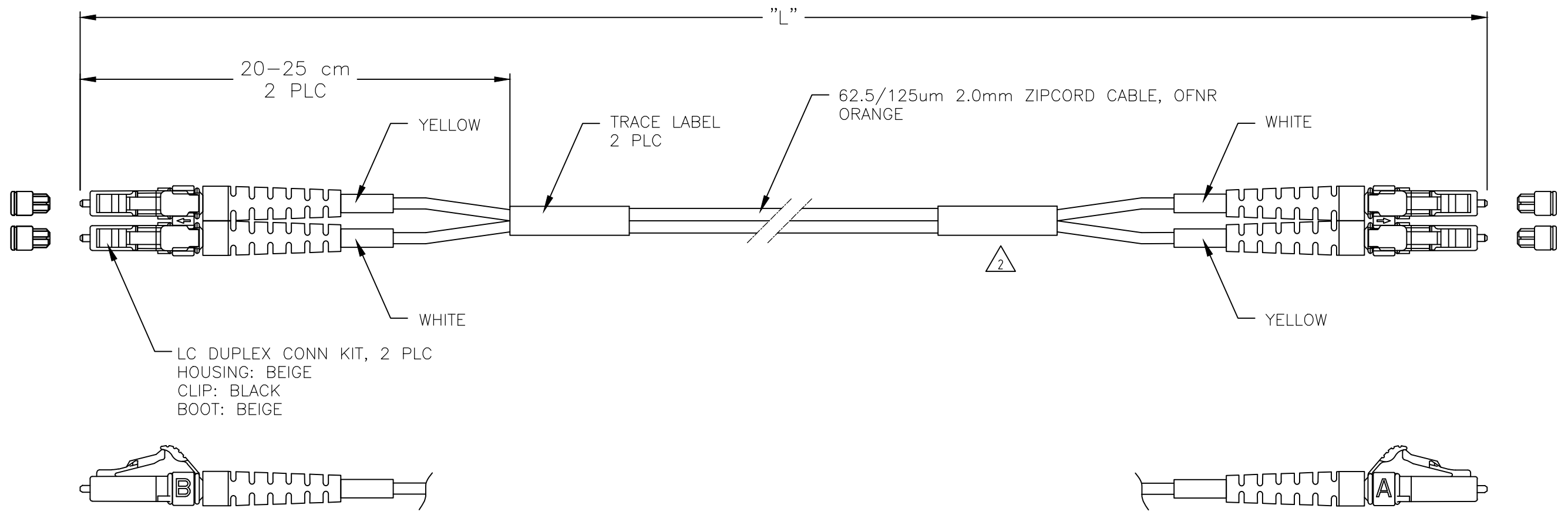
3

2

1

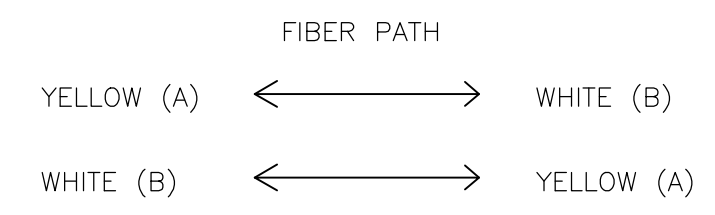
THIS DRAWING IS UNPUBLISHED. RELEASED FOR PUBLICATION
 © COPYRIGHT - By - ALL RIGHTS RESERVED.

LOC	DIST	REVISIONS					
HG	-	P	LTR	DESCRIPTION	DATE	DWN	APVD
		A		ECR-15-018476	23DEC15	SW	RZ



NOTES:

- 1 INSERTION LOSS ≤ 0.3 dB, MEASURED AT 1300 nm
- △ 2 SECOND TRACE LABEL WILL NOT BE PRESENT ON ANY CABLE ASSEMBLY THAT IS LESS THAN 1 METER IN LENGTH.



PART NUMBER	"L" (METER)	* THE TOLERANCES OF STANDARD LENGTH REFER TO CUSTOMER DRAWING 1206850
X-2064865-Y	XY,0	
2064865-3	3.0	

THIS DRAWING IS A CONTROLLED DOCUMENT.		DWN SIMON WU 11APR12	TE Connectivity															
DIMENSIONS: METERS		CHK PHILIP LIU 11APR12																
TOLERANCES UNLESS OTHERWISE SPECIFIED:		APVD RICHARD ZHAO 11APR12	NAME FOMM62.5 LEAD 2.0TZ LC/DPX - LC/DPX, OFNR															
<table border="1"> <tr><td>0 PLC</td><td>± -</td></tr> <tr><td>1 PLC</td><td>± -</td></tr> <tr><td>2 PLC</td><td>± -</td></tr> <tr><td>3 PLC</td><td>± -</td></tr> <tr><td>4 PLC</td><td>± -</td></tr> <tr><td>ANGLES</td><td>± -</td></tr> </table>		0 PLC	± -	1 PLC	± -	2 PLC	± -	3 PLC	± -	4 PLC	± -	ANGLES	± -	PRODUCT SPEC -	SIZE A3	CAGE CODE 00779	DRAWING NO C-2064865	RESTRICTED TO -
0 PLC	± -																	
1 PLC	± -																	
2 PLC	± -																	
3 PLC	± -																	
4 PLC	± -																	
ANGLES	± -																	
MATERIAL -		FINISH -	WEIGHT -	CUSTOMER DRAWING		SCALE NTS	SHEET 1 OF 1	REV A										