



Chipsmall Limited consists of a professional team with an average of over 10 year of expertise in the distribution of electronic components. Based in Hongkong, we have already established firm and mutual-benefit business relationships with customers from,Europe,America and south Asia,supplying obsolete and hard-to-find components to meet their specific needs.

With the principle of “Quality Parts,Customers Priority,Honest Operation,and Considerate Service”,our business mainly focus on the distribution of electronic components. Line cards we deal with include Microchip,ALPS,ROHM,Xilinx,Pulse,ON,Everlight and Freescale. Main products comprise IC,Modules,Potentiometer,IC Socket,Relay,Connector.Our parts cover such applications as commercial,industrial, and automotives areas.

We are looking forward to setting up business relationship with you and hope to provide you with the best service and solution. Let us make a better world for our industry!



Contact us

Tel: +86-755-8981 8866 Fax: +86-755-8427 6832

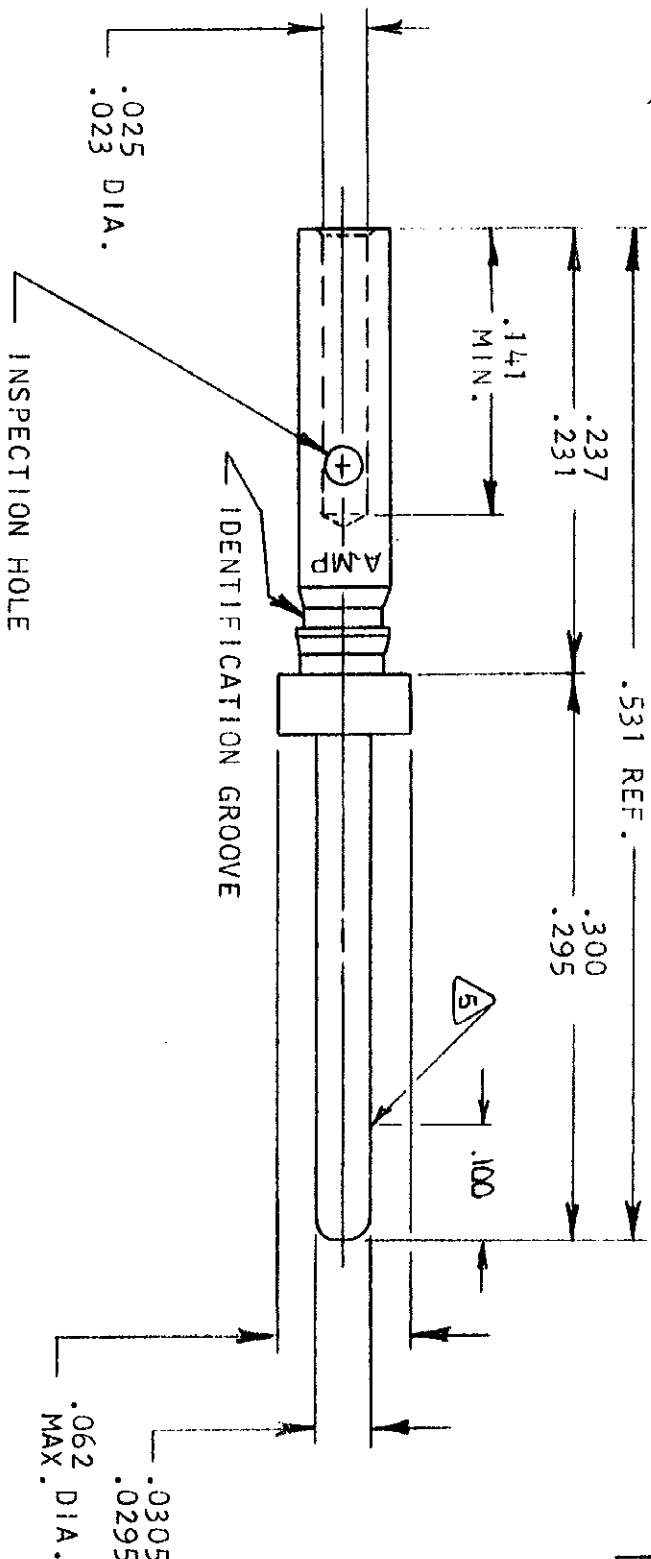
Email & Skype: info@chipsmall.com Web: www.chipsmall.com

Address: A1208, Overseas Decoration Building, #122 Zhenhua RD., Futian, Shenzhen, China



© 1973 BY AMP INCORPORATED. ALL RIGHTS RESERVED. AMP PRODUCTS COVERED BY PATENTS AND/OR PATENTS PENDING.

Unpublished copy not to be reproduced without written permission of AMP Incorporated.



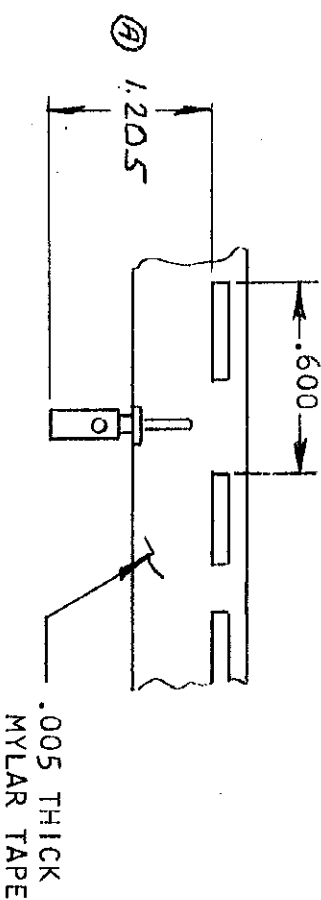
- 206495 - 3 1. AS SHOWN.
2. PLATING : GOLD PER MIL-G-45204 OVER COPPER
- 206495 - 4 1. SAME AS - 3 EXCEPT:
2. CONTACTS ON TAPE.

REVISIONS				
ZONE	LTR	DESCRIPTION	DATE	APPROVED
	0	RELEASED WAS 5064-45 NO.	10/5/73	gms
	A	REV PER ECN C-669	8/5/73	gms
	B	CHANGED MAT'L ECN E779	11/28/76	gms
	C	REV PER ECN J-985	7/28/83	gms

1. WIRE BARREL WILL ACCEPT # 26-28 AWG WIRE.
2. CRIMPING TOOL - USE MS 3198-1 WITH APPLICABLE POSITIONER.
3. CONTACT CONFORMS TO MIL-C-24308, SIZE 22 EXCEPT WIRE BARREL.
4. INSERTION / EXTRACTION TOOL - AMP P/N 91054-1
5. POINT OF PLATING THICKNESS MEASUREMENT.

WHEN ORDERING CONTACT ON TAPE, ORDER BY THE TAPE NUMBER PLUS THE PACKAGING CODE AS FOLLOWS:

1. FOR USE WITH AMP TAPETRONIC, PNEUMATIC TOOL -
 - A. 1000 PARTS TO A BOX ADD PACKAGING CODE: 1MBOX
2. FOR USE WITH 4/8 INDENT STRIPPER CRIMPER -
 - A. 1000 PARTS TO A REEL ADD PACKAGING CODE: 1MREEL
 - B. 5000 PARTS TO A REEL ADD PACKAGING CODE: 5MREEL



UNLESS OTHERWISE SPECIFIED DIMENSIONS ARE IN INCHES TOLERANCES ON: DECIMALS ± .001 ANGLES ± .1°

COPPER ALLOY PER QQ-C-530

CONTRACT NO. DR. 10/5/73
APRD 10/12/73
D. Boar 10-18-73
RE 10-19-73

AMP AMP INCORPORATED HARRISBURG, PENNSYLVANIA
NAME CONTACT, PIN SIZE 22D
SIZE CODE IDENT. NO. NUMBER
B 00779 206495
SCALE 10:1 SHEET 1 OF 1