



Chipsmall Limited consists of a professional team with an average of over 10 year of expertise in the distribution of electronic components. Based in Hongkong, we have already established firm and mutual-benefit business relationships with customers from,Europe,America and south Asia,supplying obsolete and hard-to-find components to meet their specific needs.

With the principle of "Quality Parts,Customers Priority,Honest Operation,and Considerate Service",our business mainly focus on the distribution of electronic components. Line cards we deal with include Microchip,ALPS,ROHM,Xilinx,Pulse,ON,Everlight and Freescale. Main products comprise IC,Modules,Potentiometer,IC Socket,Relay,Connector.Our parts cover such applications as commercial,industrial, and automotives areas.

We are looking forward to setting up business relationship with you and hope to provide you with the best service and solution. Let us make a better world for our industry!



## Contact us

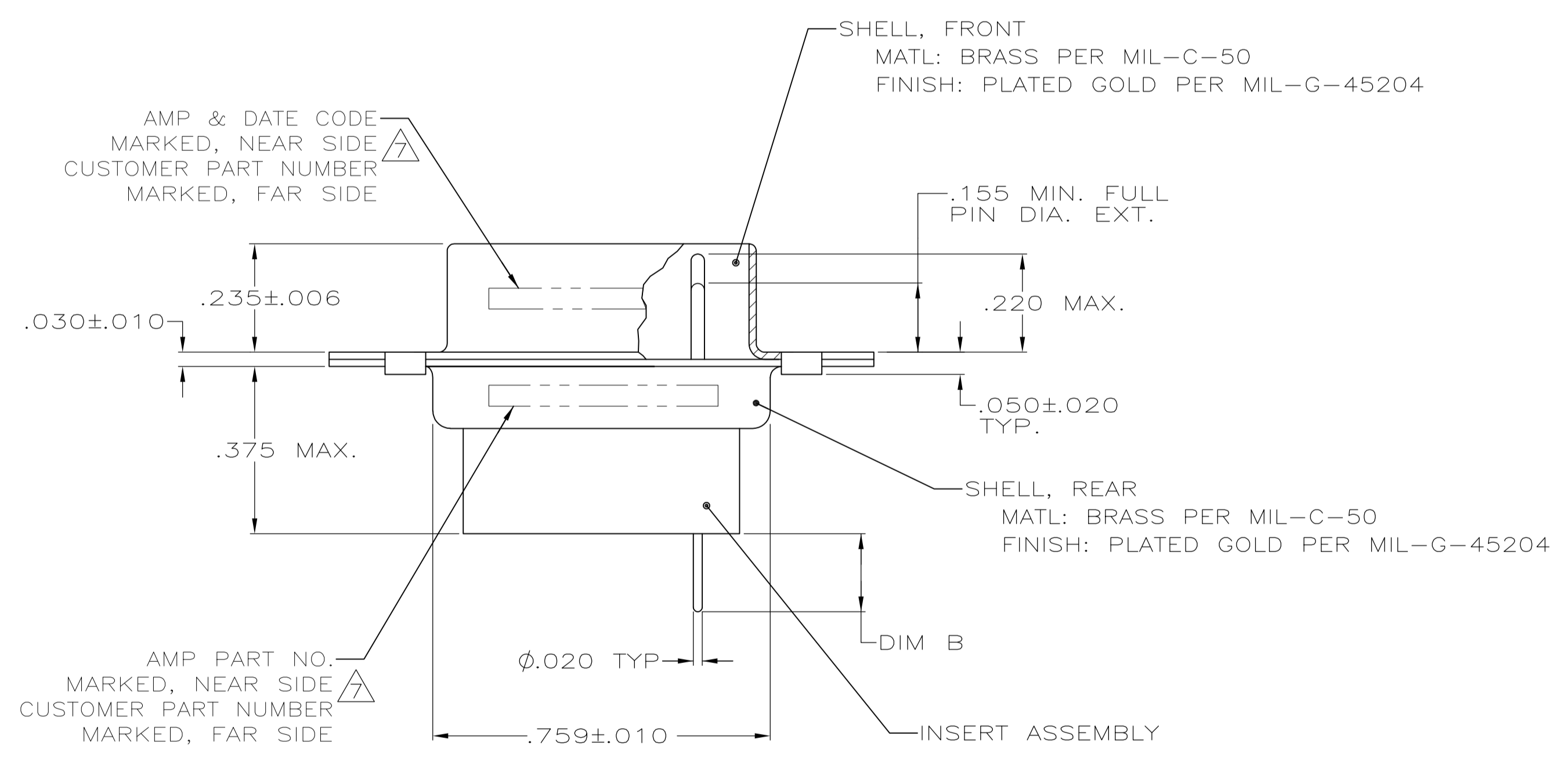
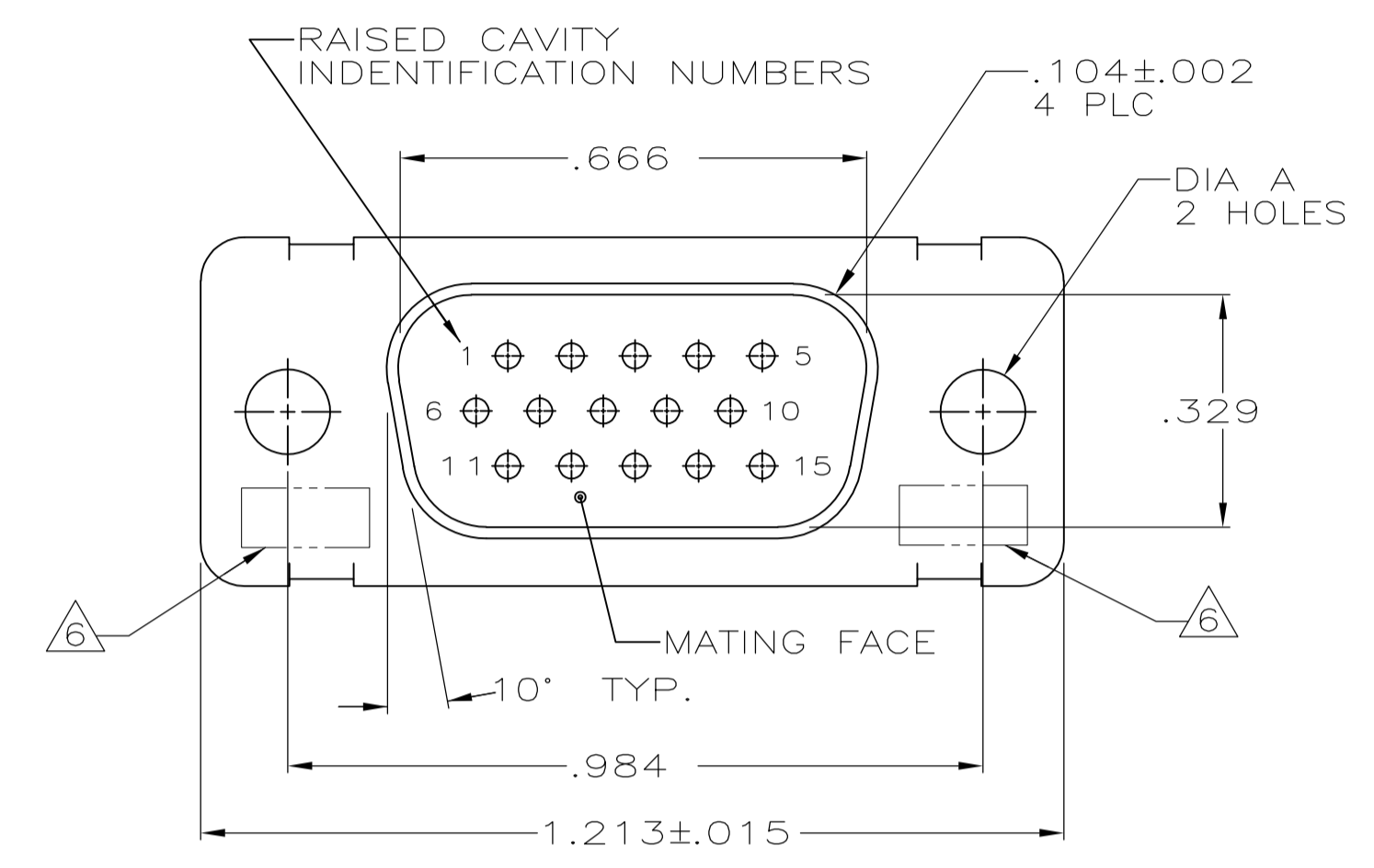
Tel: +86-755-8981 8866 Fax: +86-755-8427 6832

Email & Skype: info@chipsmall.com Web: www.chipsmall.com

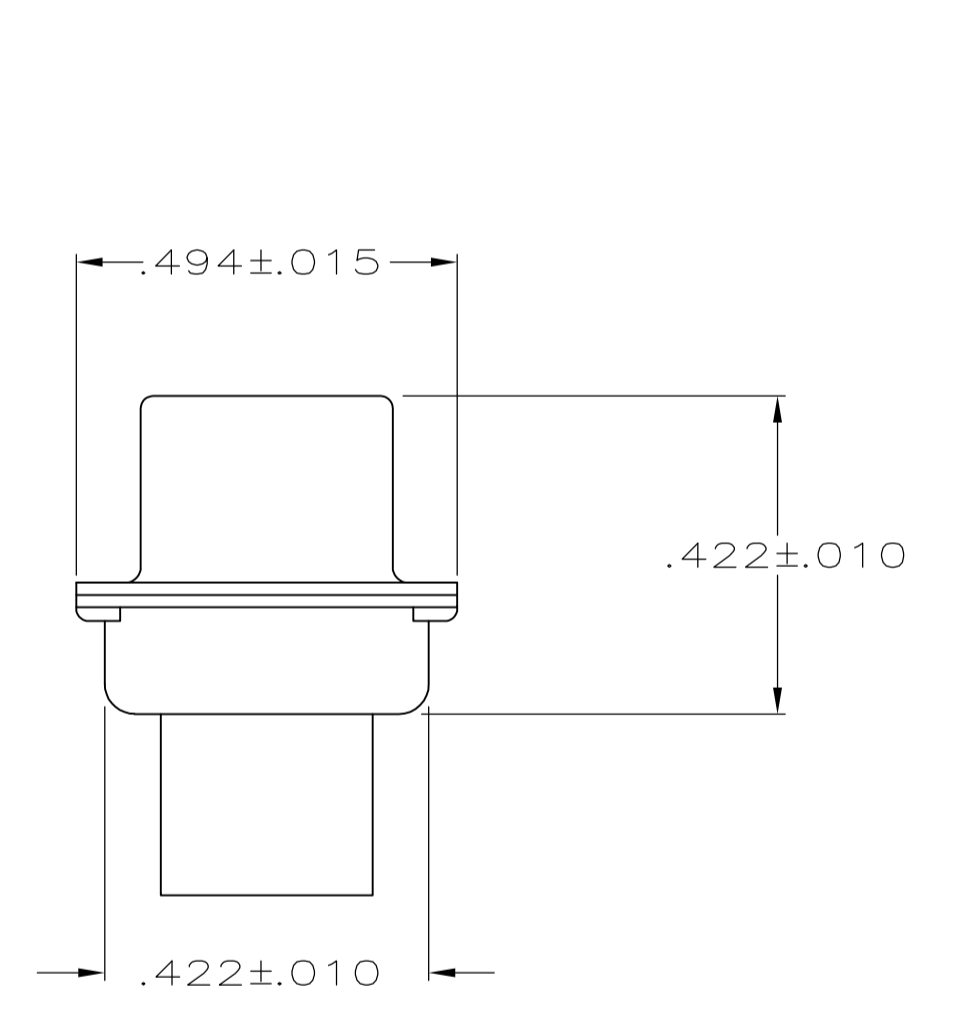
Address: A1208, Overseas Decoration Building, #122 Zhenhua RD., Futian, Shenzhen, China



- THIS PLUG WILL MATE WITH ANY RECEPTACLE CONNECTOR WITH THE SAME INSERT ARRANGEMENT AS DEFINED BY MS18273-2.
- MAXIMUM WIRE INSULATION USED WITH THIS RCPT. IS .054 DIA.
- Be-Cu RETENTION CLIPS ARE INCLUDED IN INSERTS.
- AMP PART NO. ONLY, STAMPED AS SHOWN.
- THESE CONNECTORS ARE QUALIFIED TO GODDARD SPACE FLIGHT CENTER SPECIFICATION S-311-P-4.
- UL/CSA DESIGNATION STAMPED IN THIS AREA, OPTIONAL.
- CUSTOMER PART NUMBER MAY BE SPLIT BETWEEN FRONT AND REAR SHELLS, SAME SIDE.
- 25 CONTACTS, AMP PART NUMBER 204370-8, SUPPLIED WITH EACH CONNECTOR.
- CONNECTOR LOADED WITH POSTED CONTACTS. INSPECTION REQUIREMENTS PER GENERAL ELECTRIC DOCUMENT 20025720.
- RESTRICTED TO CAE ELECTRONICS.
- CONNECTOR LOADED WITH POSTED CONTACTS.
- CONNECTOR LOADED WITH POSTED CONTACTS. INSPECTION REQUIREMENTS PER LOCKHEED-MARTIN DOCUMENT 20131204



MATL: POLYPHENYLENE SULFIDE (PPS) GST-40F PER MIL-M-24519 OR GLASS FILLED POLYESTER, TPES013G30 PER ASTM D5927 COLOR, BLACK



CONTACT P/N 204370-8  
 GSFC G-08-P1  
 (SUPPLIED WITH 209498-8 ONLY)

PRELIMINARY	12	.150±.025	.120	20131204P2015P	1-206498-4	1-206498-4
		-	.120	570566-7	1-206498-3	1-206498-3
	11	.175±.025	.120	-	1-206498-2	1-206498-2
	10	-	.120	311P407-1P-B-12	206498-4	1-206498-1
	9	-	.154	311P407-1P-B-15	206498-1	1-206498-0
	8	.150±.025	.120	2002570P2015P	206498-9	206498-9
		-	.120	3261113-7	206498-8	206498-8
		-	.154	1622251-003	206498-7	206498-7
OBSOLETE		-	.120	R4383P15P	206498-6	206498-6
		-	.120	R4383P15P-2	206498-5	206498-5
	5	-	.120	311P407-1P-B-12	206498-4	206498-4
		-	.154	206498-3	206498-3	206498-3
		-	.120	R9259P15P	206498-2	206498-2
	5	-	.154	311P407-1P-B-15	206498-1	206498-1
REMARKS		DIM B	DIA A	MARKED CUSTOMER P/N	MARKED AMP P/N	AMP P/N

THIS DRAWING IS A CONTROLLED DOCUMENT.

DIMENSIONS: INCHES	TOLERANCES UNLESS OTHERWISE SPECIFIED:	0 PLC ± -	1 PLC ± -	2 PLC ± -	3 PLC ± .005	4 PLC ± -	ANGLES ± -
MATERIAL: SEE CALLOUTS	FINISH: SEE CALLOUTS	WEIGHT: -	SIZE: A1	CAGE CODE: 00779	DRAWING NO: 206498	RESTRICTED TO: -	SCALE: 4:1

CUSTOMER DRAWING SHEET 1 OF 1 REV AD