



Chipsmall Limited consists of a professional team with an average of over 10 year of expertise in the distribution of electronic components. Based in Hongkong, we have already established firm and mutual-benefit business relationships with customers from,Europe,America and south Asia,supplying obsolete and hard-to-find components to meet their specific needs.

With the principle of "Quality Parts,Customers Priority,Honest Operation,and Considerate Service",our business mainly focus on the distribution of electronic components. Line cards we deal with include Microchip,ALPS,ROHM,Xilinx,Pulse,ON,Everlight and Freescale. Main products comprise IC,Modules,Potentiometer,IC Socket,Relay,Connector.Our parts cover such applications as commercial,industrial, and automotives areas.

We are looking forward to setting up business relationship with you and hope to provide you with the best service and solution. Let us make a better world for our industry!



Contact us

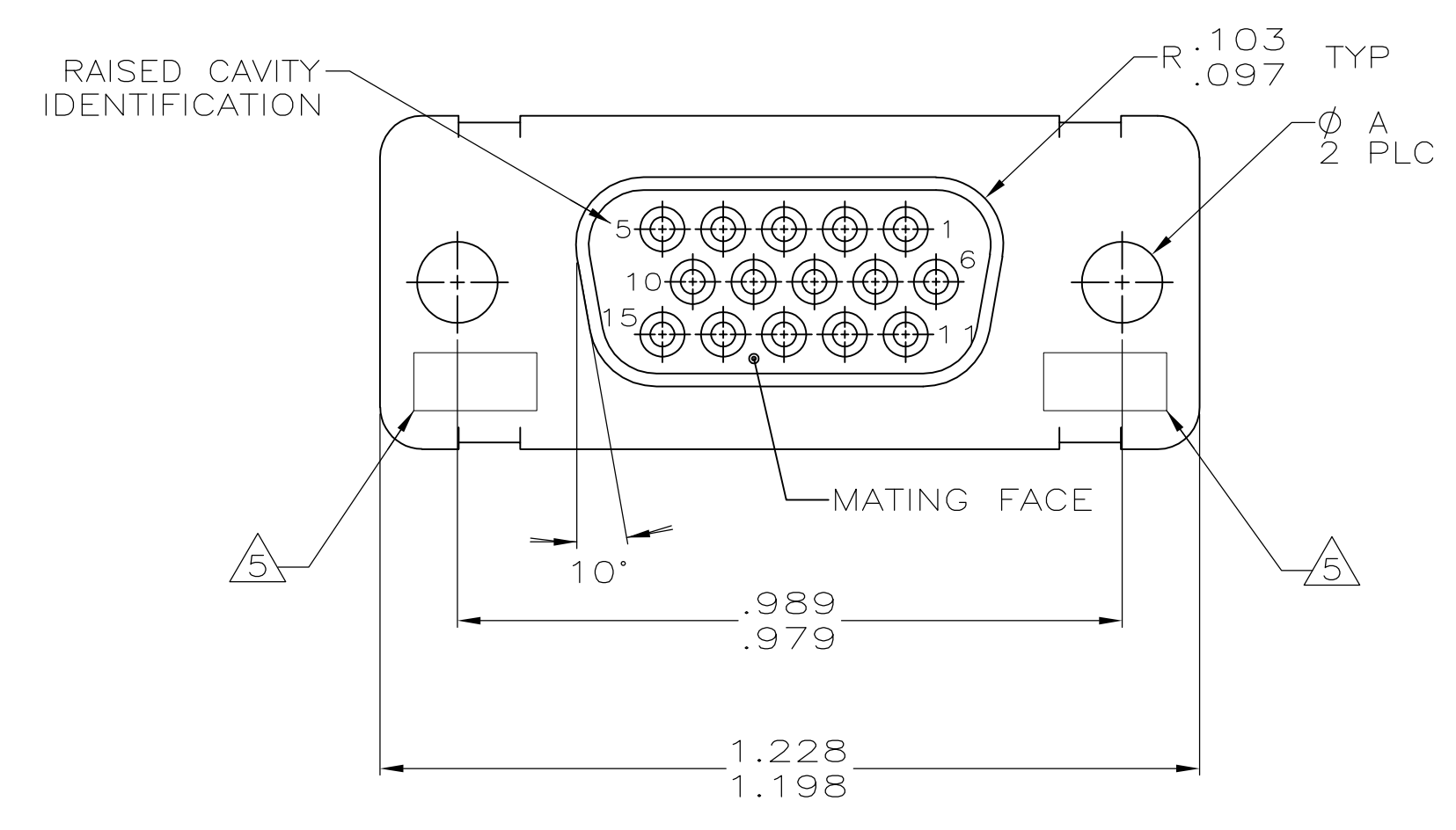
Tel: +86-755-8981 8866 Fax: +86-755-8427 6832

Email & Skype: info@chipsmall.com Web: www.chipsmall.com

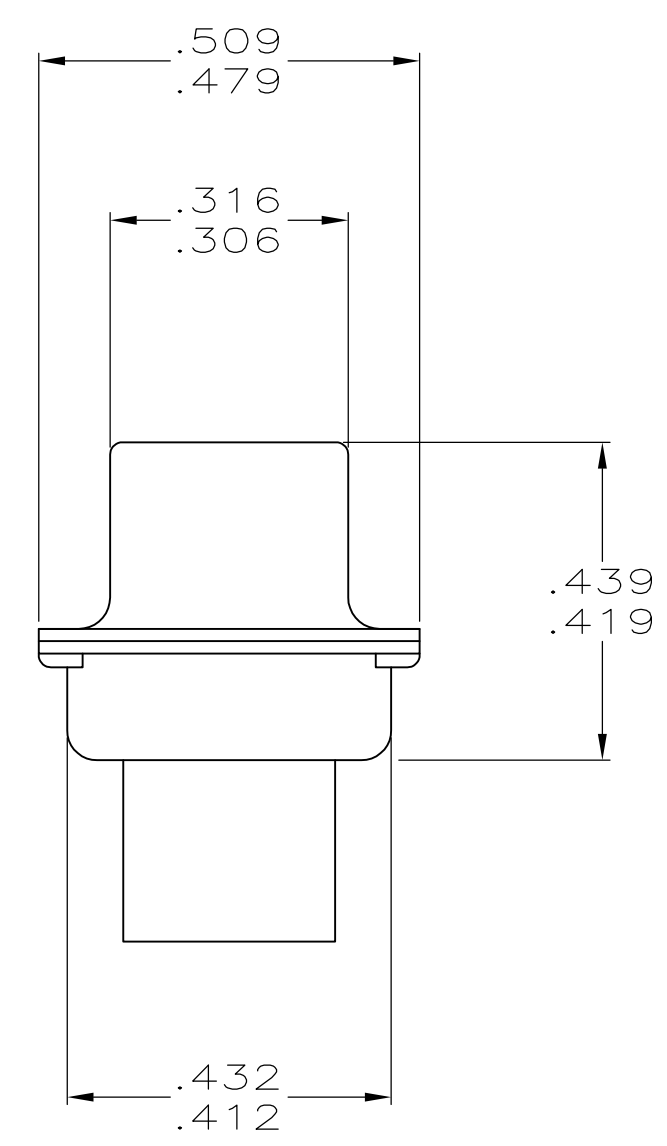
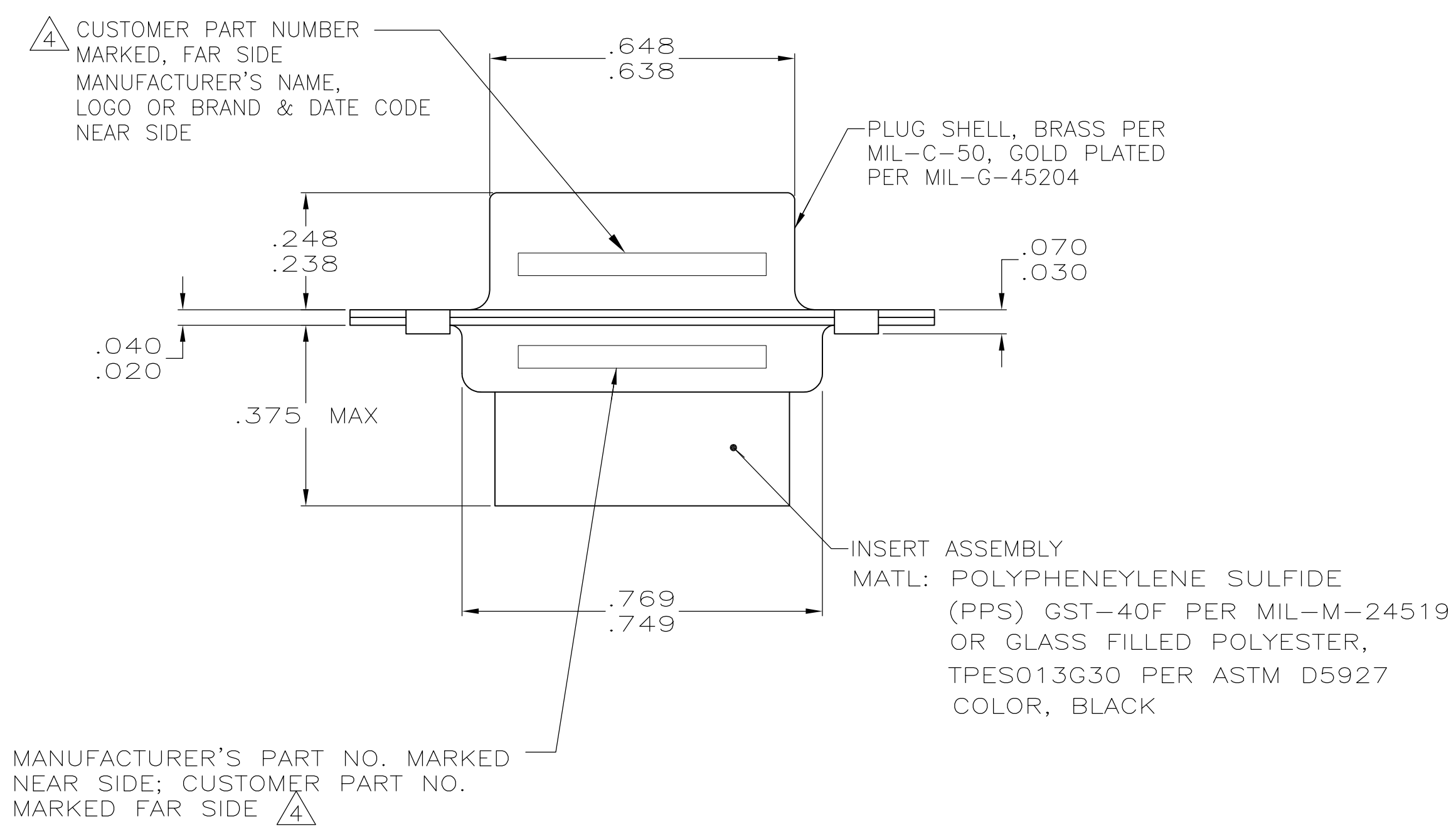
Address: A1208, Overseas Decoration Building, #122 Zhenhua RD., Futian, Shenzhen, China



LOC		DIST		REVISIONS			
P	LTR	DESCRIPTION	DATE	DN	APVD		
Z		REV PER ECO-13-003628	05MAR13	KG	RL		



- THIS RECEPTACLE WILL MATE WITH ANY PLUG CONNECTOR WITH THE SAME INSERT ARRANGEMENT AS DEFINED BY MS18273-2.
 - MAXIMUM WIRE INSULATION TO BE USED WITH THIS RECEPTACLE IS .054 DIA.
 - BE. CU. RETENTION CLIPS ARE INCLUDED IN INSERTS.
- ⚠ CUSTOMER PART NUMBER MAY BE SPLIT BETWEEN FRONT AND REAR SHELL, SAME SIDE.
 - ⚠ UL/CSA DESIGNATION STAMPED IN THIS AREA, OPTIONAL.
 - ⚠ INSPECTION REQUIREMENTS PER R4383.
 - ⚠ CONNECTOR SUPPLIED WITH 17 CONTACTS, AMP PART NUMBER 206071-1. INSPECTION REQUIREMENTS PER R4383.
 - ⚠ CONNECTOR SUPPLIED WITH 25 CONTACTS, AMP PART NUMBER 206071-1. INSPECTION REQUIREMENTS PER R4383.
 - ⚠ THESE CONNECTORS ARE QUALIFIED TO GODDARD SPACE FLIGHT CENTER SPECIFICATIONS S-311-P-4.
 - ⚠ RESTRICTED TO CAE ELECTRONICS ONLY.



AMP P/N 206071-1
GSFC P/N G-08-S1
(SUPPLIED WITH 206064-6 AND 206064-7 ONLY)

SIZE	REMARKS	CUSTOMER P/N	MARKED AMP P/N	PART NO
.120		570566-1	1-206499-0	1-206499-0
.154	⚠ 10 ⚠ 9	311P407-1S-B-15	206499-1	206499-9
.120	⚠ 10 ⚠ 9	311P407-1S-B-12	206499-4	206499-8
.120	⚠ 8	20025720P1015S	206499-7	206499-7
.120	⚠ 7	R4383 P15S	206499-6	206499-6
.120	⚠ 6	R4383 P15S-2	206499-5	206499-5
.120	⚠ 9	311P407-1S-B-12	206499-4	206499-4
.154		----	206499-3	206499-3
.120		R9259P15S	206499-2	206499-2
.154	⚠ 9	311P407-1S-B-15	206499-1	206499-1
Ø A				

THIS DRAWING IS A CONTROLLED DOCUMENT. DIMENSIONING AND TOLERANCING PER ASME Y14.5M (ISO STANDARDS). DIMENSIONS: INCHES. TOLERANCES UNLESS OTHERWISE SPECIFIED: 0 PLC ± .005, 1 PLC ± .005, 2 PLC ± .005, 3 PLC ± .005, 4 PLC ± .005, ANGLES ± .005.

DATE: 02OCT2006
CHK: P. YEAGER
D: MILLER
APP'D: D. MILLER
NAME: RECEPTACLE FOR SOCKET CONTACTS HIGH DENSITY D, 15 POSN, SIZE 1 NONMAGNETIC

SIZE: A1
CAGE CODE: 00779
DRAWING NO: 206499
WEIGHT: --
CUSTOMER DRAWING

SCALE: 4:1
SHEET: 1 OF 1
REV: Z