



Chipsmall Limited consists of a professional team with an average of over 10 year of expertise in the distribution of electronic components. Based in Hongkong, we have already established firm and mutual-benefit business relationships with customers from,Europe,America and south Asia,supplying obsolete and hard-to-find components to meet their specific needs.

With the principle of “Quality Parts,Customers Priority,Honest Operation,and Considerate Service”,our business mainly focus on the distribution of electronic components. Line cards we deal with include Microchip,ALPS,ROHM,Xilinx,Pulse,ON,Everlight and Freescale. Main products comprise IC,Modules,Potentiometer,IC Socket,Relay,Connector.Our parts cover such applications as commercial,industrial, and automotives areas.

We are looking forward to setting up business relationship with you and hope to provide you with the best service and solution. Let us make a better world for our industry!



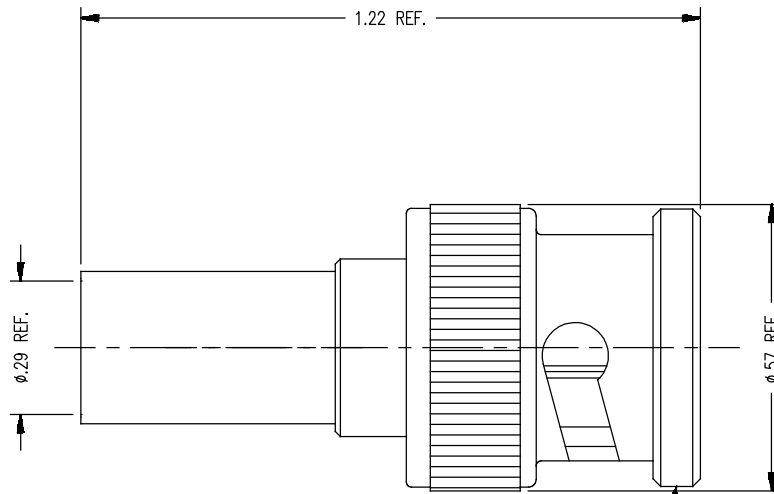
## Contact us

Tel: +86-755-8981 8866 Fax: +86-755-8427 6832

Email & Skype: info@chipsmall.com Web: www.chipsmall.com

Address: A1208, Overseas Decoration Building, #122 Zhenhua RD., Futian, Shenzhen, China





MARK: KINGS 2065-10-9  
YRWK (DATE CODE)

NOTES:

1. FOR USE WITH BELDEN 1694A CABLE.
2. FOR CABLING INSTRUCTIONS SEE 3-661-4
3. FOR CRIMPING USE DIE KTH-2255, OR KTH-2325.
4. INTERFACE PER MIL-STD-348, FIG 301.1, AS APPLICABLE.
5. MATERIALS:
  - INSULATOR-TEFLON: TEFLON PER ASTM D1710
  - GASKET-SILICONE RUBBER: PER A-A-59588
  - SPRING WASHER } BERYLLIUM COPPER PER ASTM B196
  - OUTER CONTACT }
  - K-GRIP SLEEVE: COMMERCIAL BRONZE PER ASTM B135
  - ALL OTHER METAL PARTS: BRASS PER ASTM B16
6. FINISHES:
  - CENTER CONTACT: .000050 GOLD PLATE PER ASTM B488 OVER .000050 NICKEL PER AMS-QQ-N-290
  - SPRING WASHER-.000200 SILVER PLATE PER B700 OVER .000020 COPPER PER ASTM B734 OR NICKEL PER AMS-QQ-N-290.
  - ALL OTHER METAL PARTS: .000050 MIN NICKEL PER AMS-QQN-290 OVER .000050 MIN COPPER PER ASTM B734
7. MARK PACKAGE: KINGS 2065-10-9
8. ELECTRICAL CHARACTERISTICS:
  - NOMINAL IMPEDANCE: 75 OHMS
  - WORKING VOLTAGE: 500 VRMS
  - FREQUENCY RANGE: DC TO 6 GHz
  - RETURN LOSS: UP TO 1.5HGz, <-30dB
  - UP TO 3.0HGz, <-22dB
  - UP TO 6.0GHZ, <-18dB
9. COMPLIANT TO SMPTE 424M (3G-SDI) SPECIFICATION

REVISIONS	
ISSUE	CHANGES
3	CN 38011 D HVN 05/23/00
4	CN 38027 E TML 07/07/00
5	CN 38495 E TML 02/01/02
6	CN 38637 E TML 08/22/02
H	ER 14183 PSM 03/09/09
J	ER 22156 DW 03/02/10
K	CRIMPING TOOL ADDED KTH-2325 UPDATED TO DMF304 ER047920 KPL 05/23/13
L	ER 051020 COL 03/07/14
CUSTOMER SALES DRAWING	
THIS DRAWING, THE DESIGNS AND IDEAS EMBODIED IN THE DEVICE TO WHICH IT RELATES, AND THE METHOD OF PRODUCING THE DEVICE, ARE THE PROPERTY OF WINCHESTER ELECTRONICS CORPORATION AND SHALL NOT BE EMPLOYED, COPIED, OR DISCLOSED TO ANYONE, IN ANY MANNER WITHOUT THE CONSENT OF WINCHESTER ELECTRONICS CORPORATION.	
SCALE	4:1
APPROX SURFACE AREA	
WAS:	E-19649
USED ON	
REF:	
PL, 75 BNC	
DRAWN	MRM
DATE	04/15/98
DESIGN	LI
DATE	04/15/98
APPR.	
DATE	
Winchester Electronics Corporation 199 Park Road Ext Suite 104 Middlebury, Connecticut 06762	
2065-10-9	

2065-10-9