



Chipsmall Limited consists of a professional team with an average of over 10 year of expertise in the distribution of electronic components. Based in Hongkong, we have already established firm and mutual-benefit business relationships with customers from,Europe,America and south Asia,supplying obsolete and hard-to-find components to meet their specific needs.

With the principle of “Quality Parts,Customers Priority,Honest Operation,and Considerate Service”,our business mainly focus on the distribution of electronic components. Line cards we deal with include Microchip,ALPS,ROHM,Xilinx,Pulse,ON,Everlight and Freescale. Main products comprise IC,Modules,Potentiometer,IC Socket,Relay,Connector.Our parts cover such applications as commercial,industrial, and automotives areas.

We are looking forward to setting up business relationship with you and hope to provide you with the best service and solution. Let us make a better world for our industry!



Contact us

Tel: +86-755-8981 8866 Fax: +86-755-8427 6832

Email & Skype: info@chipsmall.com Web: www.chipsmall.com

Address: A1208, Overseas Decoration Building, #122 Zhenhua RD., Futian, Shenzhen, China

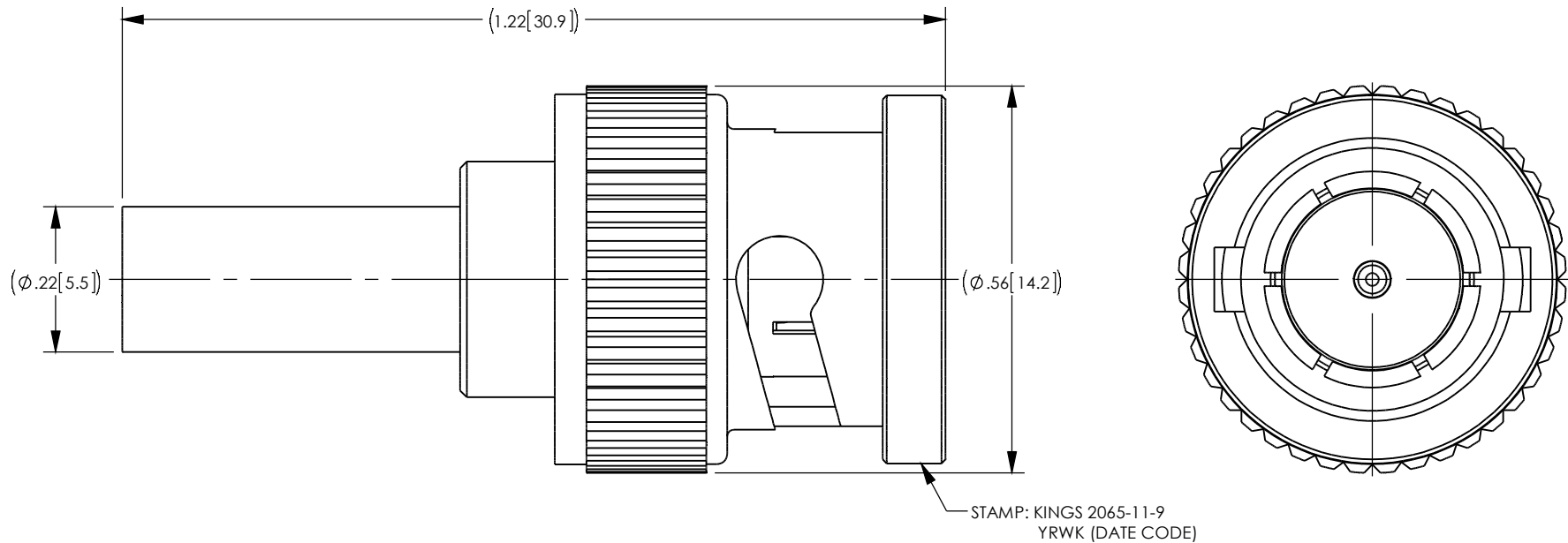


NOTES:

1. FOR USE WITH COMMSCOPE 77538 & BELDEN 1855A & 1865A CABLES.
2. FOR CABLING INSTRUCTIONS SEE 3-661-1.
3. FOR CRIMPING USE DIE KTH-2025.
4. CENTER CONTACT, 1-6690-7MA9, AND K-GRIP SLEEVE 1-33983-1M06 SUPPLIED UNASSEMBLED.
5. INTERFACE PER MIL-STD-348, FIG. 301-1 (AS APPLICABLE).
6. MATERIAL SPECIFICATIONS:
 INSULATOR: TEFLON PER ASTM D4894.
 GASKET: SILICONE RUBBER PER ZZ-R765.
 SPRING WASHER AND OUTER CONTACT: BERYLLIUM COPPER PER ASTM B196.
 ALL OTHER METAL PARTS: BRASS PER ASTM B16.
7. FINISH SPECIFICATIONS:
 CENTER CONTACT: GOLD PER MIL-G-45204
 SPRING WASHER: SILVER PER QQ-S-365
 ALL OTHER METAL PARTS: NICKEL PER QQ-N-290

8. ELECTRICAL SPECIFICATIONS:
 IMPEDANCE: 75 OHMS
 WORKING VOLTAGE: 500 VOLTS RMS
 FREQUENCY RANGE: DC - 12 GHz
 RETURN LOSS: -30dB MAX TO 3.0 GHz
 -20dB MAX TO 6.0 GHz
9. COMPLIANT TO 3G/6G/12G SDI SMPTE REQUIREMENTS.
10. MARK PACKAGE: KINGS 2065-11-9.

REV	DESCRIPTION	BY DATE	APPD
J	ER057798	04/10/15	YA



CATALOG P/N: 2065-11-9

PER ASME Y14.5M-1994 UNLESS OTHERWISE SPECIFIED: DIMENSIONS ARE IN INCHES [MM] TOLERANCES: DECIMAL: .XX [X.X] ± .01 [0.3] .XXX [X.XX] ± .005 [0.13] .XXXX [X.XXX] ± .XXXX			
ANGLES: ± 2°		SCALE: 4:1	
CUSTOMER SALES DRAWING		THIRD ANGLE	
DRAWN	DATE	APPROVED	DATE
J	04/09/2015	MAR	07/28/2015
APPROVED	DATE	APPROVED	DATE
YA	04/09/2015	XXX	XX/XX/XX

KINGS
 by WINCHESTER Winchester Electronics Corporation
 199 Park Road Ext Suite 104
 Middlebury, Connecticut 06762

75 OHM BNC PLUG
 FOR BELDEN 1855A OR EQUIVALENT
 CABLE (RoHS)

A	SD2065-11-9	SHT	OF	REV
		1	1	J