



Chipsmall Limited consists of a professional team with an average of over 10 year of expertise in the distribution of electronic components. Based in Hongkong, we have already established firm and mutual-benefit business relationships with customers from,Europe,America and south Asia,supplying obsolete and hard-to-find components to meet their specific needs.

With the principle of “Quality Parts,Customers Priority,Honest Operation,and Considerate Service”,our business mainly focus on the distribution of electronic components. Line cards we deal with include Microchip,ALPS,ROHM,Xilinx,Pulse,ON,Everlight and Freescale. Main products comprise IC,Modules,Potentiometer,IC Socket,Relay,Connector.Our parts cover such applications as commercial,industrial, and automotives areas.

We are looking forward to setting up business relationship with you and hope to provide you with the best service and solution. Let us make a better world for our industry!



Contact us

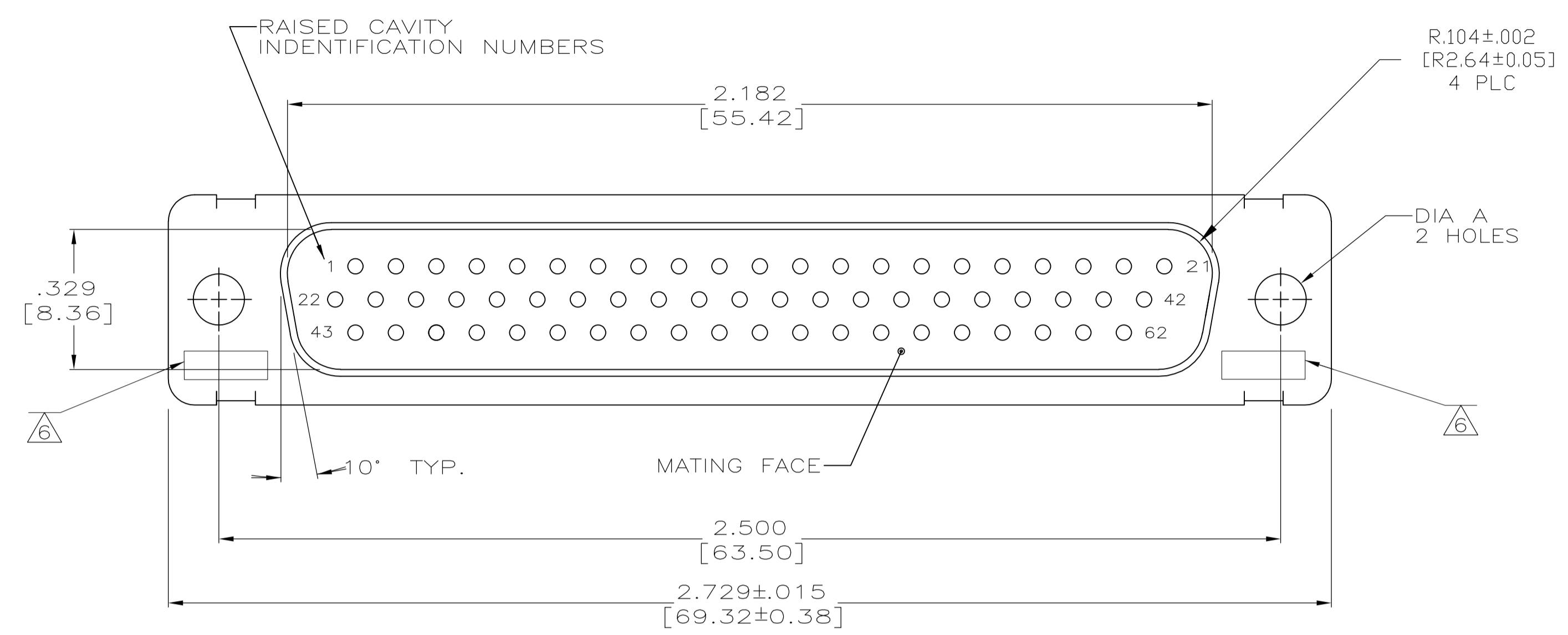
Tel: +86-755-8981 8866 Fax: +86-755-8427 6832

Email & Skype: info@chipsmall.com Web: www.chipsmall.com

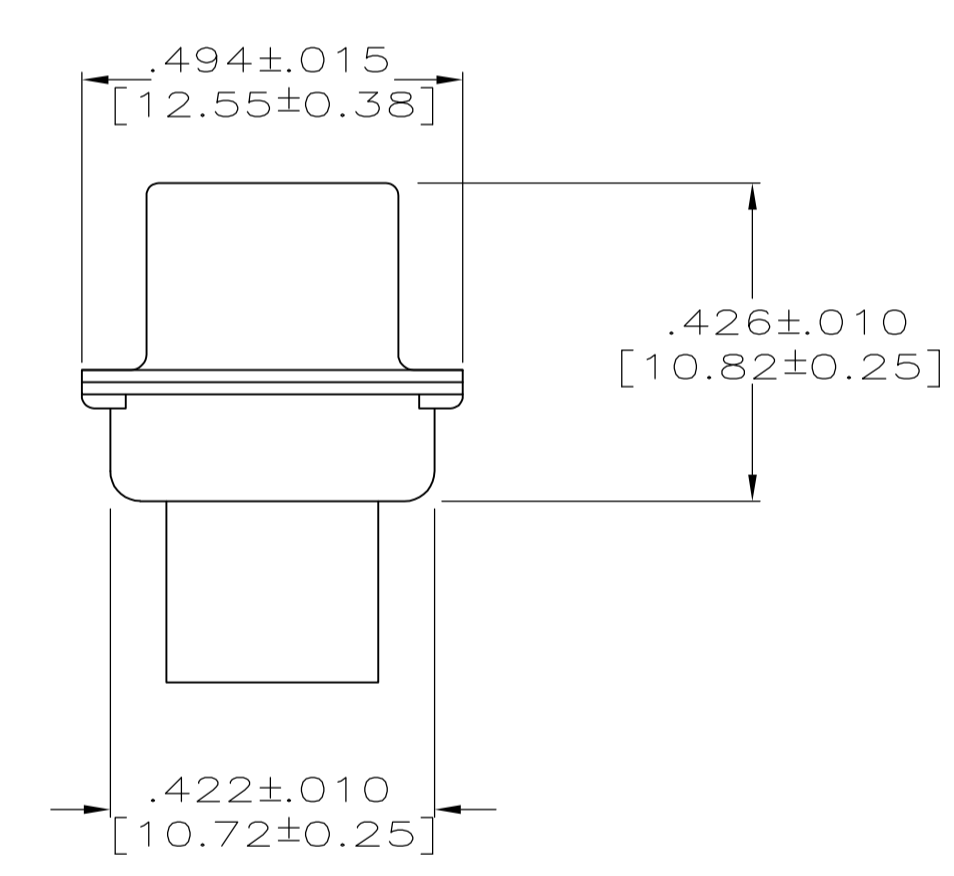
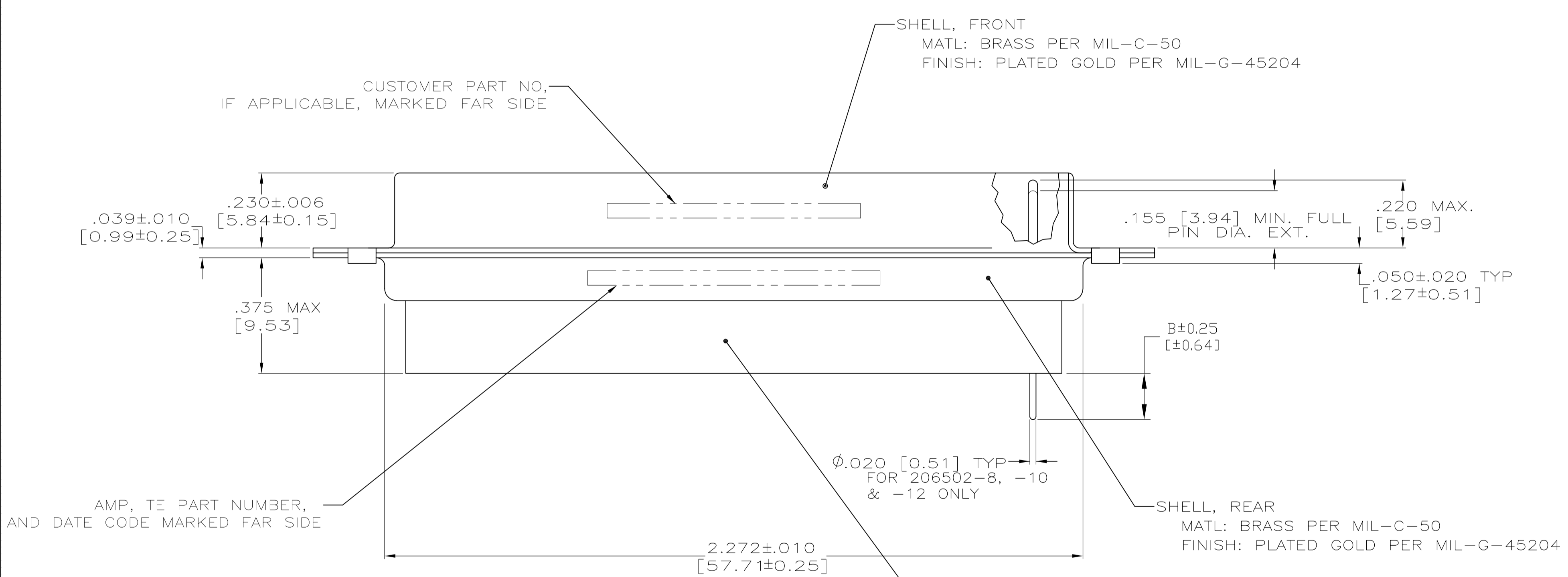
Address: A1208, Overseas Decoration Building, #122 Zhenhua RD., Futian, Shenzhen, China



LOC		DIST		REVISIONS			
P	LTR	DESCRIPTION	DATE	DWN	APVD		
Y		REV PER ECO	12-021413			12-17-12	CT RL



- THIS PLUG WILL MATE WITH ANY RECEPTACLE CONNECTOR WITH THE SAME INSERT ARRANGEMENT AS DEFINED BY MS18276-2.
 - MAXIMUM WIRE INSULATION USED WITH THIS PLUG IS .054 [1.37] DIA.
 - Be-Cu RETENTION CLIPS ARE INCLUDED IN INSERTS.
- △4 INSPECTION REQUIREMENTS PER R4383.
 - △5 CONNECTOR SUPPLIED WITH 69 CONTACTS, AMP PART NUMBER 204370-8. INSPECTION REQUIREMENTS PER R4383 WITHOUT TESTS FOR HIGH ALTITUDE DIELECTRIC WITHSTANDING VOLTAGE AS CALLED FOR IN TABLE II SCREENING AND TESTING.
 - △6 UL/CSA DESIGNATION STAMPED IN THIS AREA, OPTIONAL.
 - △7 CONNECTOR LOADED WITH POSTED CONTACTS. INSPECTION REQUIREMENTS PER GENERAL ELECTRIC DOCUMENT 20025720.
 - △8 RESTRICTED TO CAE ELECTRONICS ONLY.
 - △9 THESE CONNECTORS ARE QUALIFIED TO GODDARD SPACE FLIGHT CENTER SPECIFICATION S-311-P-4.
 - △10 CONNECTOR LOADED WITH POSTED CONTACTS.
 - △11 CONNECTOR LOADED WITH POSTED CONTACTS. INSPECTION REQUIREMENTS PER LM DOCUMENT 20131204.



TE PART NUMBER 204370-8
GSFC PART NUMBER G-08-P1
(SUPPLIED WITH 206502-6 ONLY)

INSERT ASSEMBLY
MATL: DIALLYL PHTHALATE, TYPE SDG-F
PER MIL-M-14,
COLOR: BLUE
OR POLYPHENYLENE SULFIDE (PPS) COLOR: BLACK
PER MIL-M-24519, TYPE GST-40F.

△11	.150 [3.81]	.120 [3.05]	20131204P2062P	1-206502-2	1-206502-2
	--	.120 [3.05]	570566-10	1-206502-1	1-206502-1
△10	.175 [4.45]	.120 [3.05]	--	1-206502-0	1-206502-0
△9/△8	--	.120 [3.05]	311P407-4P-B-12	206502-4	206502-9
△7	.150 [3.81]	.120 [3.05]	20025720P2062P	206502-8	206502-8
	--	.154 [3.91]	SC81D139-054	206502-7	206502-7
△5	--	.120 [3.05]	R4383P62P	206502-6	206502-6
△4	--	.120 [3.05]	R4383P62P-2	206502-5	206502-5
△3	--	.120 [3.05]	311P407-4P-B-12	206502-4	206502-4
	--	.154 [3.91]	----	206502-3	206502-3
	--	.120 [3.05]	R9259P62P	206502-2	206502-2
△2	--	.154 [3.91]	311P407-4P-B-15	206502-1	206502-1
REMARKS	DIA B	DIA A	CUSTOMER P/N ON CONNECTOR	TE P/N ON CONNECTOR	TE P/N

THIS DRAWING IS A CONTROLLED DOCUMENT.

DIMENSIONS: INCHES	TOLERANCES UNLESS OTHERWISE SPECIFIED:	DWN: M. CLOUSER 12-16-88	CHK: T. CANTLIN 12-16-88	APVD: F. BALLOW 12-16-88	NAME: AMPLIMITE NONMAGNETIC PLUG ASSEMBLY, SERIES 90, SHELL SIZE 4, 62 POSITION
0 PLC ± .005	1 PLC ± .005	2 PLC ± .005	3 PLC ± .005 [0.13]	4 PLC ± .005	ANGLES ± 0°30'
MATERIAL: SEE CALLOUTS	FINISH: SEE CALLOUTS	WEIGHT: --	SIZE: A1	CAGE CODE: 00779	DRAWING NO: 206502
CUSTOMER DRAWING			SCALE: 4:1	SHEET: 1 OF 1	REV: Y

STE TE Connectivity