



Chipsmall Limited consists of a professional team with an average of over 10 year of expertise in the distribution of electronic components. Based in Hongkong, we have already established firm and mutual-benefit business relationships with customers from,Europe,America and south Asia,supplying obsolete and hard-to-find components to meet their specific needs.

With the principle of "Quality Parts,Customers Priority,Honest Operation,and Considerate Service",our business mainly focus on the distribution of electronic components. Line cards we deal with include Microchip,ALPS,ROHM,Xilinx,Pulse,ON,Everlight and Freescale. Main products comprise IC,Modules,Potentiometer,IC Socket,Relay,Connector.Our parts cover such applications as commercial,industrial, and automotives areas.

We are looking forward to setting up business relationship with you and hope to provide you with the best service and solution. Let us make a better world for our industry!



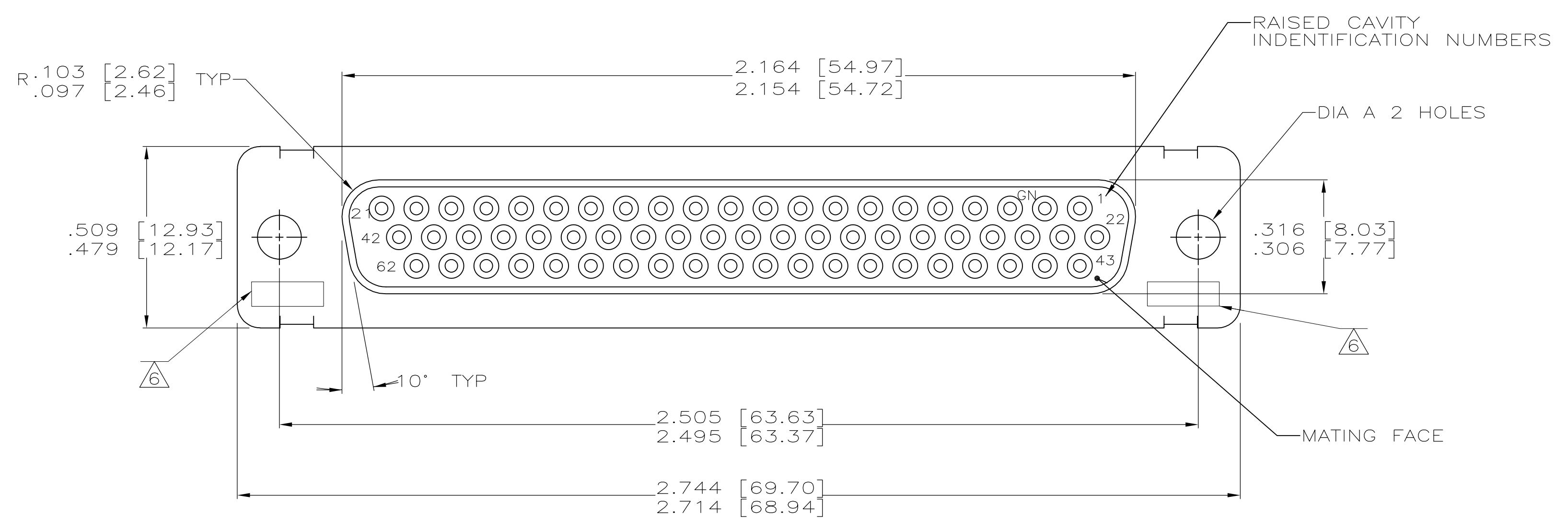
Contact us

Tel: +86-755-8981 8866 Fax: +86-755-8427 6832

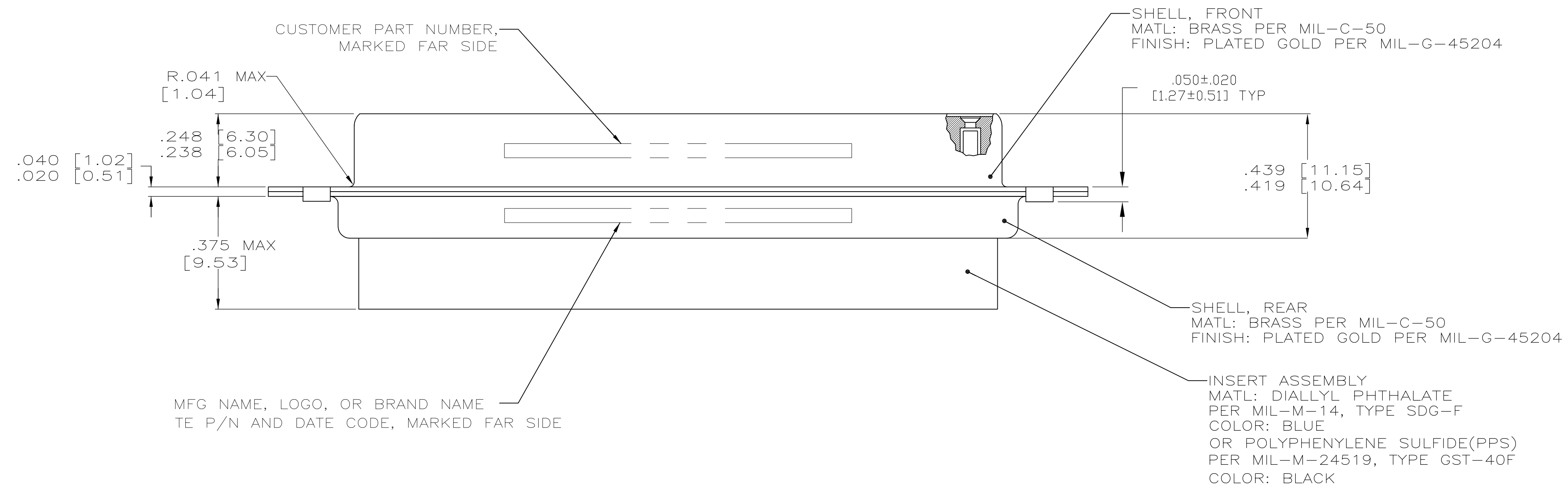
Email & Skype: info@chipsmall.com Web: www.chipsmall.com

Address: A1208, Overseas Decoration Building, #122 Zhenhua RD., Futian, Shenzhen, China

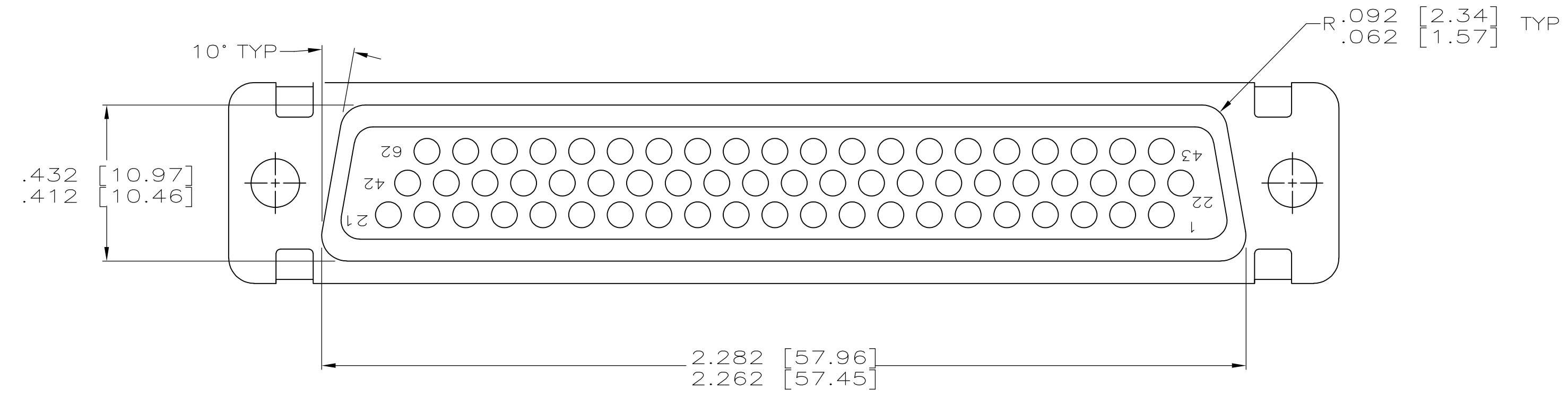




1. THIS RECEPTACLE WILL MATE WITH ANY PLUG CONNECTOR WITH SAME INSERT ARRANGEMENT AS DEFINED BY MS18276-2.
2. MAXIMUM WIRE INSULATION USED WITH THIS RCPT. IS .054 DIA.
3. Be-Cu RETENTION CLIPS ARE INCLUDED IN INSERTS.
4. INSPECTION REQUIREMENTS PER R4383.
5. CONNECTOR SUPPLIED WITH 69 CONTACTS, AMP PART NUMBER 206071-1. INSPECTION REQUIREMENTS PER R4383 WITHOUT TESTS FOR HIGH ALTITUDE DIELECTRIC WITHSTANDING VOLTAGE AS CALLED FOR IN TABLE II SCREENING AND TESTING.
6. UL/CSA DESIGNATION STAMPED IN THIS AREA, OPTIONAL
7. SPECIAL TESTING PER GE DOCUMENT 20025720. CONNECTOR SUPPLIED WITH 72 CONTACTS, AMP P/N 206071-1.
8. RESTRICTED TO CAE ELECTRONICS ONLY.
9. THESE CONNECTORS ARE QUALIFIED TO GODDARD SPACE FLIGHT CENTER SPECIFICATION S-311-P-4.



AMP P/N 206071-1
 GSFC P/N G-08-S1
 (SUPPLIED WITH 206064-6 AND 206064-8 ONLY)



SUPERSEDED BY 1996014-4	---	.120	8333648P1	1-206503-2	1-206503-2
	---	.120	570566-4	1-206503-1	1-206503-1
	8 9	.120	311P407-4S-B-12	206503-4	206503-9
	7	.120	20025720P1062S	206503-8	206503-8
	---	.154	SC81D139-044	206503-7	206503-7
	5	.120	R4383P62S	206503-6	206503-6
	4	.120	R4383P62S-2	206503-5	206503-5
	9	.120	311P407-4S-B-12	206503-4	206503-4
	---	.154	N/A	206503-3	206503-3
	---	.120	R9259P62S	206503-2	206503-2
9	.154	311P407-4S-B-15	206503-1	206503-1	
REMARKS	DIA A	CUSTOMER P/N ON CONNECTOR	TE P/N ON CONNECTOR	PART NUMBER	

THIS DRAWING IS A CONTROLLED DOCUMENT.

DW	A.J. GRAFF	12-21-92	Tyco Electronics Corporation Harrisburg, PA 17105-3608
CHK	D. MILLER	12-21-92	
APPD	D. MILLER	12-21-92	AMP-LITE RCPT ASSY, NON-MAGNETIC, SHELL SIZE 4, 6, 2 POSITION
NAME			
DIMENSIONS INCHES	TOLERANCES UNLESS OTHERWISE SPECIFIED:	PRODUCT SPEC	SIZE
0 PLC ± .005	1 PLC ± .005	---	A1
2 PLC ± .005	3 PLC ± .005	---	CAGE CODE
4 PLC ± .005	ANGLES ± .1°	APPLICATION SPEC	DRAWING NO
MATERIAL SEE CALLOUTS	FINISH SEE CALLOUTS	WEIGHT	RESTRICTED TO
CUSTOMER DRAWING		SCALE 4:1	SHEET 1 OF 1