



Chipsmall Limited consists of a professional team with an average of over 10 year of expertise in the distribution of electronic components. Based in Hongkong, we have already established firm and mutual-benefit business relationships with customers from,Europe,America and south Asia,supplying obsolete and hard-to-find components to meet their specific needs.

With the principle of “Quality Parts,Customers Priority,Honest Operation,and Considerate Service”,our business mainly focus on the distribution of electronic components. Line cards we deal with include Microchip,ALPS,ROHM,Xilinx,Pulse,ON,Everlight and Freescale. Main products comprise IC,Modules,Potentiometer,IC Socket,Relay,Connector.Our parts cover such applications as commercial,industrial, and automotives areas.

We are looking forward to setting up business relationship with you and hope to provide you with the best service and solution. Let us make a better world for our industry!



Contact us

Tel: +86-755-8981 8866 Fax: +86-755-8427 6832

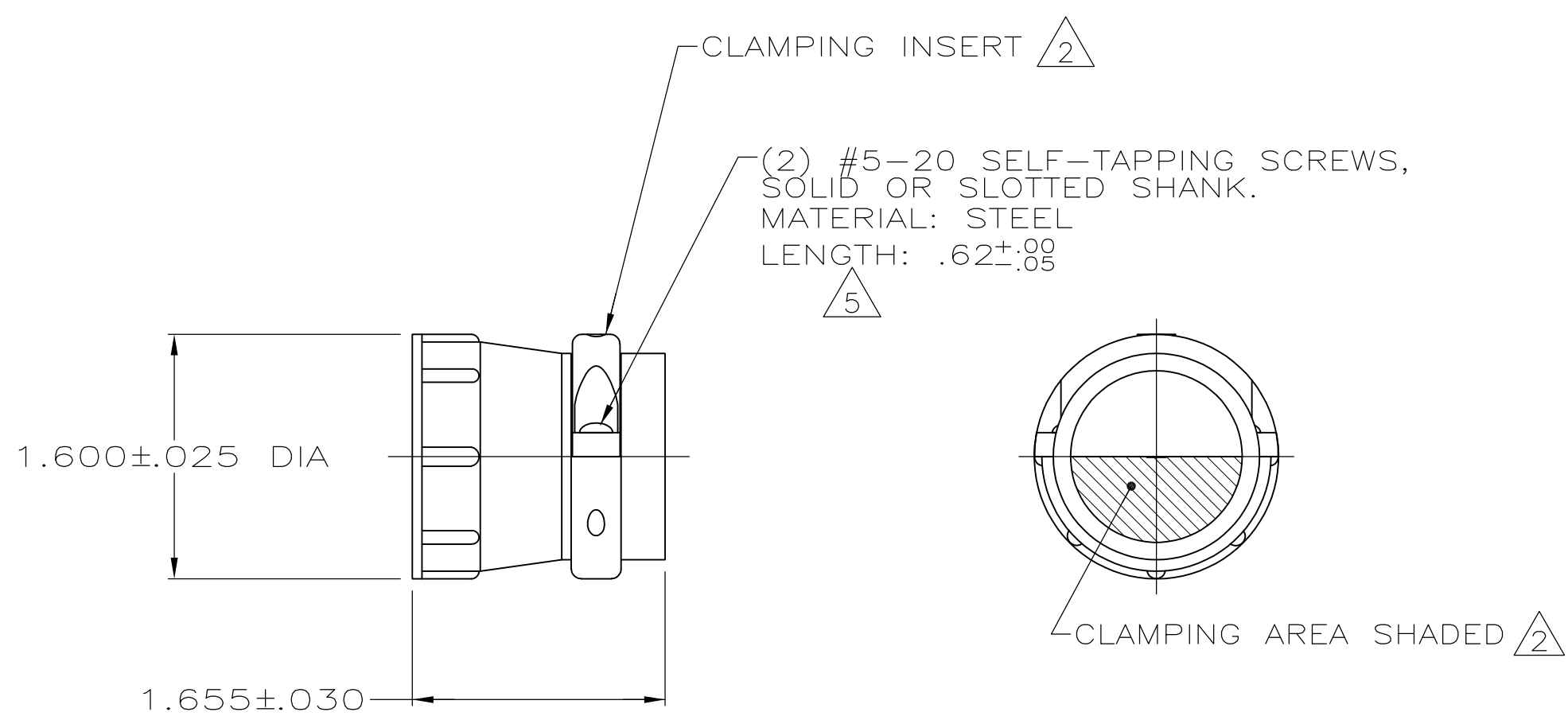
Email & Skype: info@chipsmall.com Web: www.chipsmall.com

Address: A1208, Overseas Decoration Building, #122 Zhenhua RD., Futian, Shenzhen, China



THIS DRAWING IS UNPUBLISHED. RELEASED FOR PUBLICATION
 © COPYRIGHT - By - ALL RIGHTS RESERVED.

| LOC | DIST | REVISIONS | | | | | |
|-----|------|-----------|-----|---------------------------|---------|-----|------|
| BD | 0 | P | LTR | DESCRIPTION | DATE | DWN | APVD |
| | | G3 | | REVISED PER ECO-11-004587 | 11MAR11 | RK | HMR |



- 1 PARTS PACKAGED UNASSEMBLED.
- $\triangle 2$ CABLE CLAMPING AREA ADJUSTABLE FROM .261 TO .517 SQ IN BY CHANGING CLAMPING INSERT.
- 3 1.125 MAXIMUM CABLE OUTSIDE DIAMETER.
- $\triangle 4$ BULK PACKAGED KITS TO BE ORDERED IN MULTIPLES OF 75 ONLY.
- $\triangle 5$ FINISH: ZINC NON-HEXAVALENT CHROMATE.
- $\triangle 6$ OBSOLETE PARTS: OBSOLETE CIS STREAMLINING PER D.RENAUD/D.SINISI

| | | | |
|------------------------|---------------|--------------------|-------------|
| | $\triangle 5$ | $\triangle 4$ BULK | 206512-6 |
| | $\triangle 5$ | INDIVIDUAL | 206512-5 |
| OBSOLETE | $\triangle 5$ | SMALL PACK | 206512-4 |
| OBSOLETE | $\triangle 5$ | SMALL PACK | 206512-3 |
| SUPERSEDED BY 206512-6 | $\triangle 5$ | $\triangle 4$ BULK | 206512-2 |
| SUPERSEDED BY 206512-5 | $\triangle 5$ | INDIVIDUAL | 206512-1 |
| | | SCREW FINISH | PART NUMBER |
| | | PACKAGING | |

| | | | | |
|--|--|------------------------------|----------------------------|---|
| THIS DRAWING IS A CONTROLLED DOCUMENT. | | DWN A GRAFF 4/29/91 | STE TE Connectivity | |
| | | CHK W.G.LENKER 7-23-92 | | |
| DIMENSIONS: INCHES | | APVD - | | NAME CABLE CLAMP KIT, LARGE, SHELL SIZE 23, CPC |
| TOLERANCES UNLESS OTHERWISE SPECIFIED: | | PRODUCT SPEC 108-10024 | | RESTRICTED TO - |
| MATERIAL THERMOPLASTIC | | FINISH - | | APPLICATION SPEC - |
| | | WEIGHT - | | SIZE A3 |
| | | CUSTOMER DRAWING | | CAGE CODE 00779 |
| | | SCALE 1:1 | | DRAWING NO C-206512 |
| | | SHEET 1 OF 1 | | REV G3 |