



Chipsmall Limited consists of a professional team with an average of over 10 year of expertise in the distribution of electronic components. Based in Hongkong, we have already established firm and mutual-benefit business relationships with customers from,Europe,America and south Asia,supplying obsolete and hard-to-find components to meet their specific needs.

With the principle of “Quality Parts,Customers Priority,Honest Operation,and Considerate Service”,our business mainly focus on the distribution of electronic components. Line cards we deal with include Microchip,ALPS,ROHM,Xilinx,Pulse,ON,Everlight and Freescale. Main products comprise IC,Modules,Potentiometer,IC Socket,Relay,Connector.Our parts cover such applications as commercial,industrial, and automotives areas.

We are looking forward to setting up business relationship with you and hope to provide you with the best service and solution. Let us make a better world for our industry!



Contact us

Tel: +86-755-8981 8866 Fax: +86-755-8427 6832

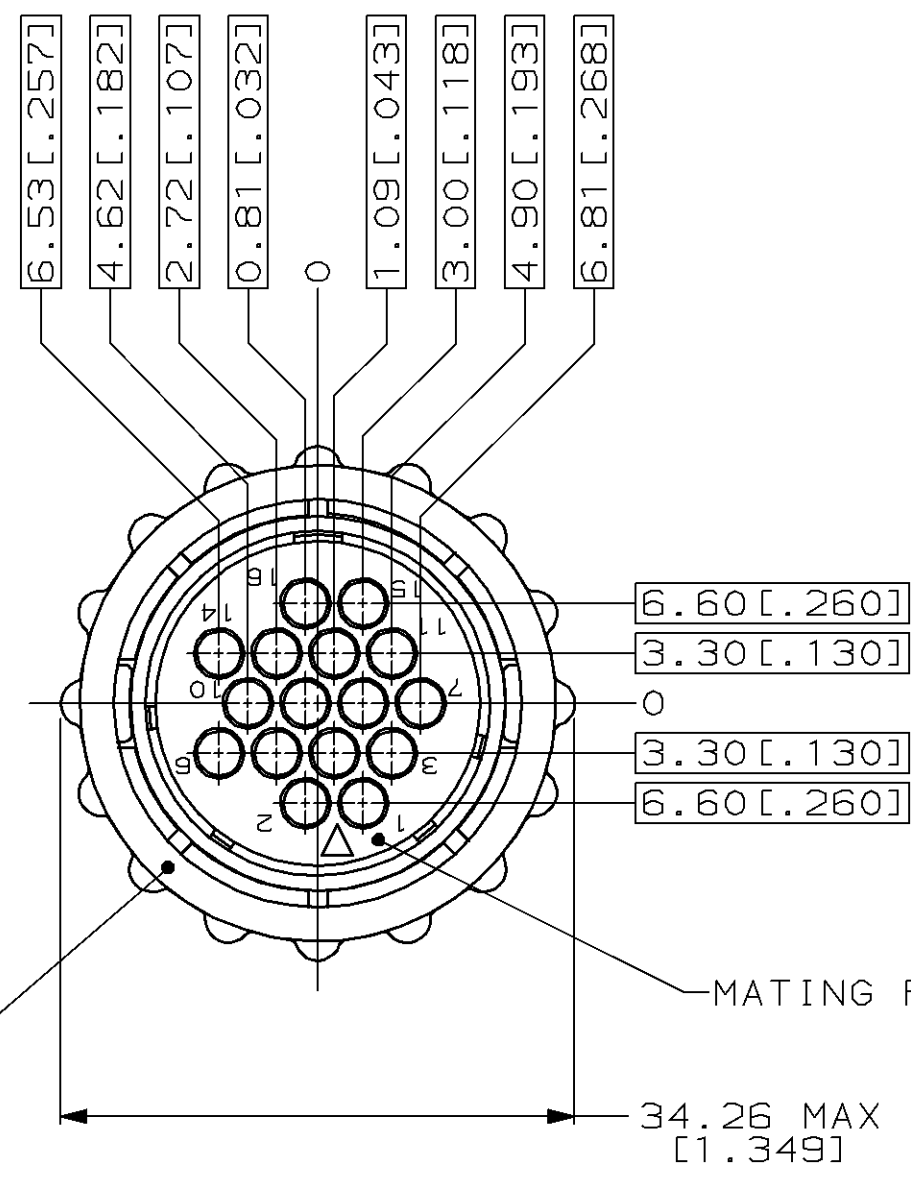
Email & Skype: info@chipsmall.com Web: www.chipsmall.com

Address: A1208, Overseas Decoration Building, #122 Zhenhua RD., Futian, Shenzhen, China



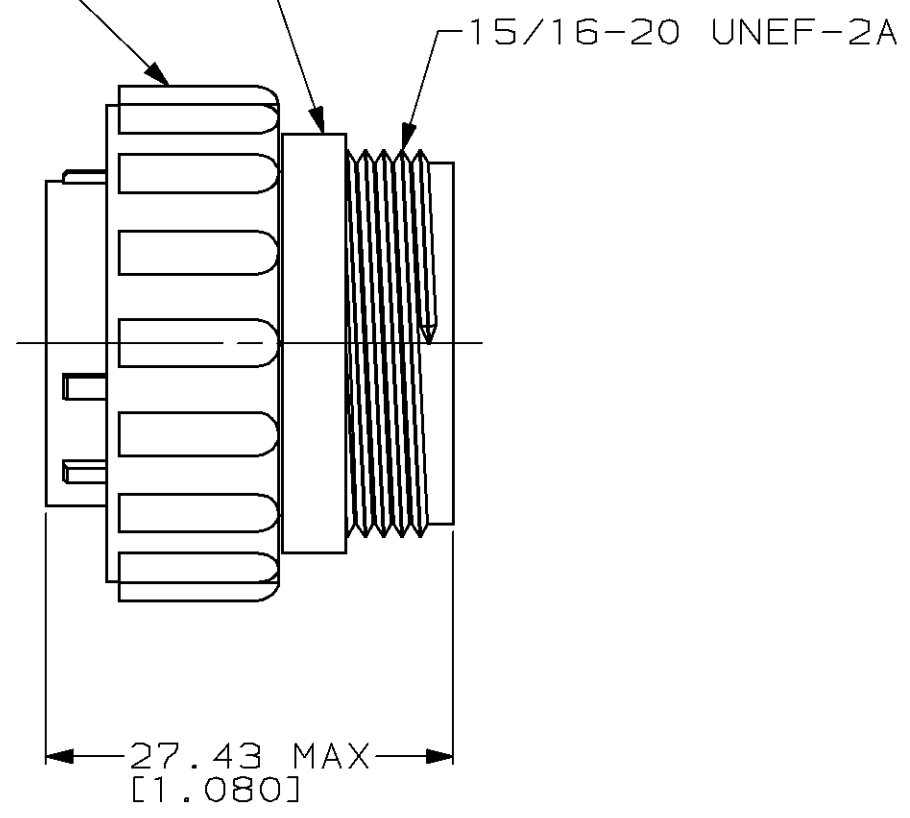
THIS DRAWING IS UNPUBLISHED. RELEASED FOR PUBLICATION
 © COPYRIGHT 19 BY AMP INCORPORATED. ALL INTERNATIONAL RIGHTS RESERVED.

LOC	DIST	P	F	ZONE	LTR	DESCRIPTION	DATE	APPD
FT	4				F	REDRAWN W/O CHANGE PER EC 0020-600-94	06/17/94	AF
					G	REV PER EC 0020-568-95	19 JUL 95	AF
					H	REV PER EC 0320-244-97	06 OCT 97	KD



PLUG HOUSING
 MATERIAL: GLASS FILLED NYLON, 6/6, BLACK

COUPLING RING
 MATERIAL: POLYESTER, BLACK



AMP PART NO & DATE CODE THIS SURFACE

MATING FACE

- CONTACT CAVITIES IDENTIFIED BY CHARACTERS ON FRONT AND REAR FACES OF CONNECTOR.
- WILL ACCEPT SIXTEEN (16) MULTIMATE SOCKET CONTACTS.

DO NOT SCALE PRINT. UNLESS SPECIFIED DIMENSIONS IN mm [INCHES] TOLERANCES ON:		DR 06-17-94 D.HARDY		206554-1	
2 PLC DEC ± -		CHK 06-24-94 R.STONE		PART NO	
3 PLC DEC ± -		APPD 08-09-94 A.FRANTUM		AMP Incorporated Harrisburg, PA 17105-3608	
ANGLES ± -		APPD 08-09-94 A.FRANTUM		NAME	
MATERIAL		PRODUCT SPEC		PLUG ASSEMBLY, STANDARD SEX, 17-16, CPC	
SEE CALLOUTS		APPLICATION SPEC		SIZE	
FINISH		WEIGHT		CAGE CODE	
-		-		00779	
-		-		DRAWING NO	
-		-		G=206554	
-		-		SCALE	
-		-		2:1	
-		-		SHEET	
-		-		1 OF 1	

THIS DRAWING IS A CONTROLLED DOCUMENT FOR AMP INCORPORATED. IT IS SUBJECT TO CHANGE AND THE CONTROLLING ENGINEERING ORGANIZATION SHOULD BE CONTACTED FOR THE LATEST REVISION.