



Chipsmall Limited consists of a professional team with an average of over 10 year of expertise in the distribution of electronic components. Based in Hongkong, we have already established firm and mutual-benefit business relationships with customers from,Europe,America and south Asia,supplying obsolete and hard-to-find components to meet their specific needs.

With the principle of "Quality Parts,Customers Priority,Honest Operation,and Considerate Service",our business mainly focus on the distribution of electronic components. Line cards we deal with include Microchip,ALPS,ROHM,Xilinx,Pulse,ON,Everlight and Freescale. Main products comprise IC,Modules,Potentiometer,IC Socket,Relay,Connector.Our parts cover such applications as commercial,industrial, and automotives areas.

We are looking forward to setting up business relationship with you and hope to provide you with the best service and solution. Let us make a better world for our industry!



## Contact us

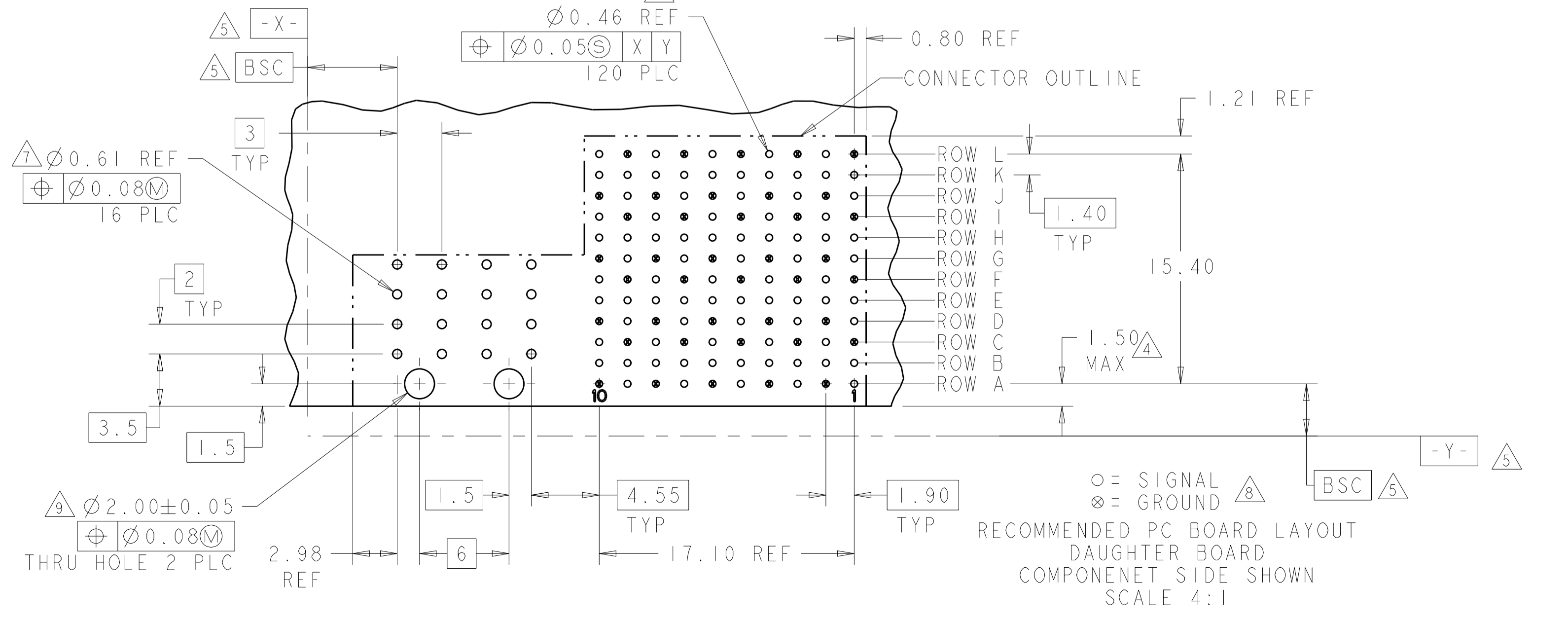
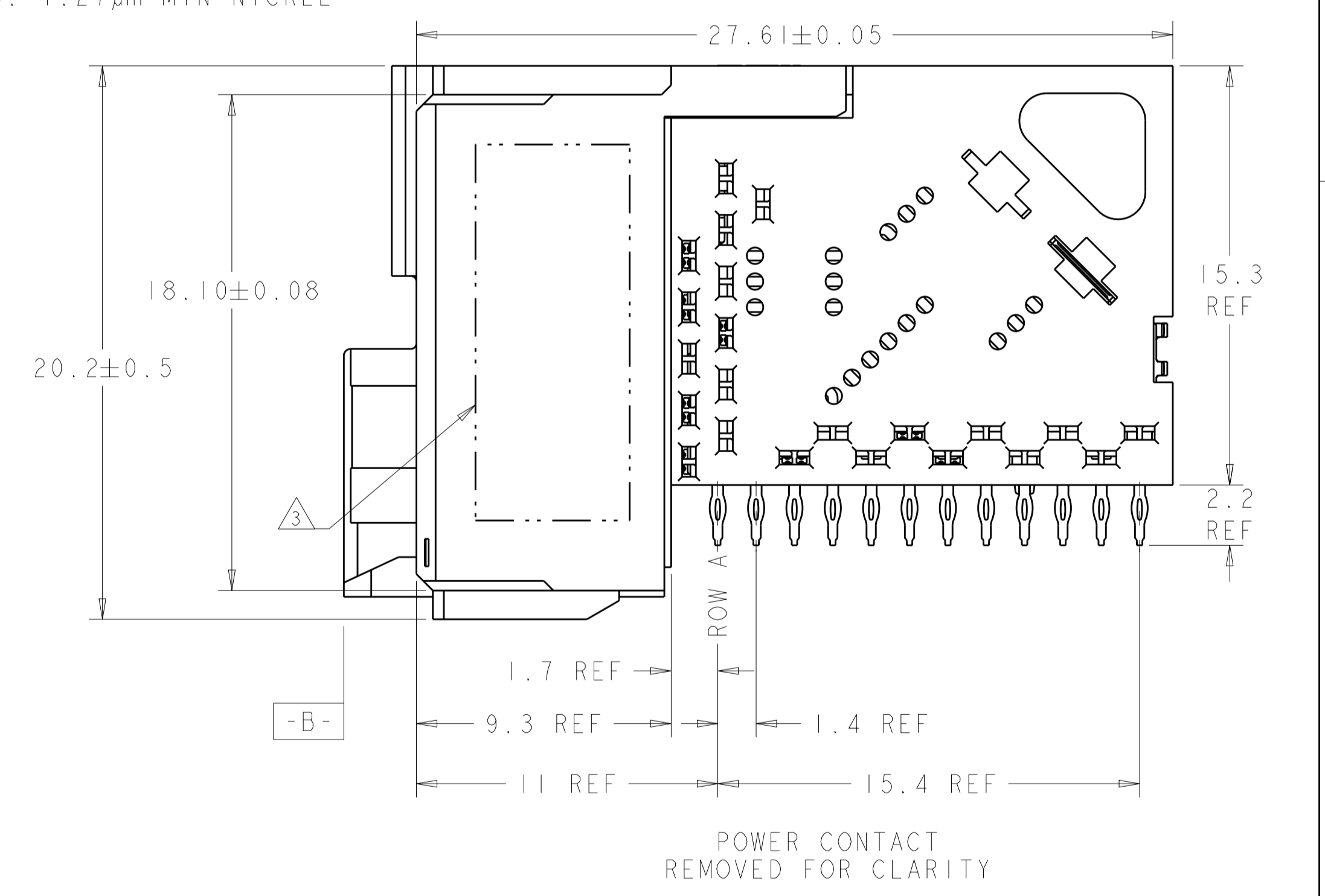
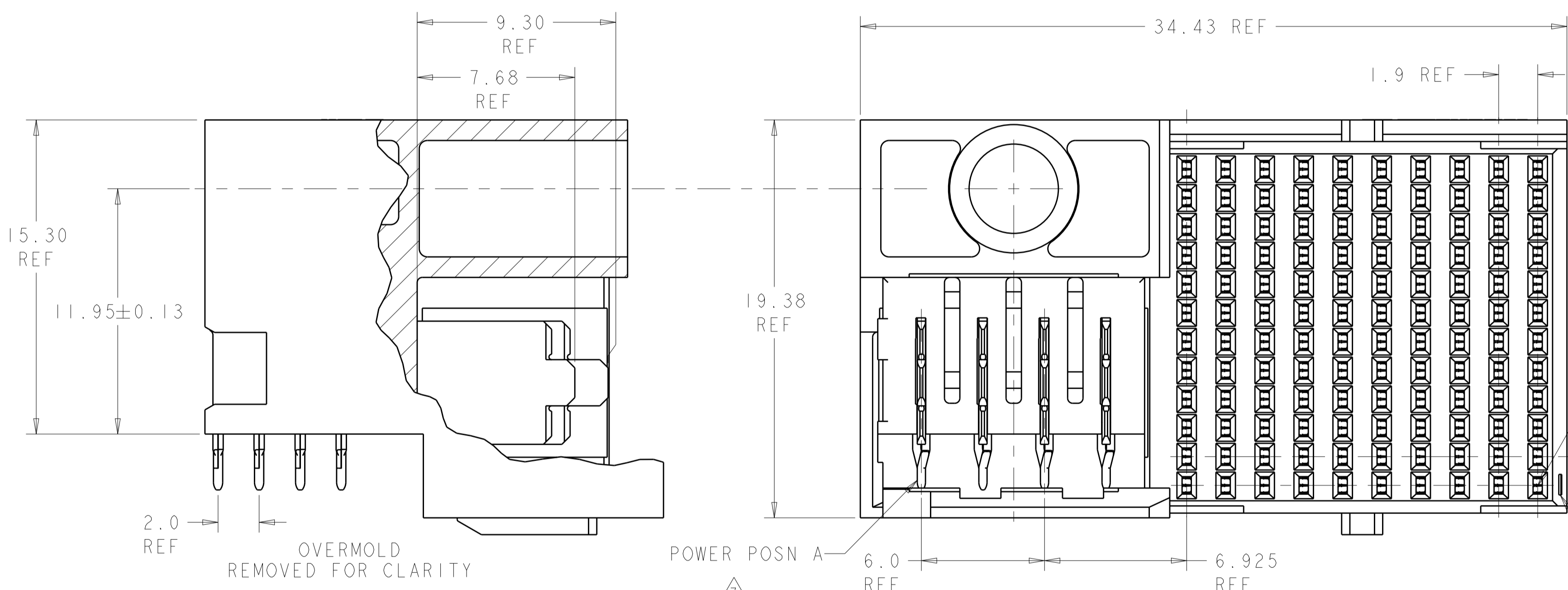
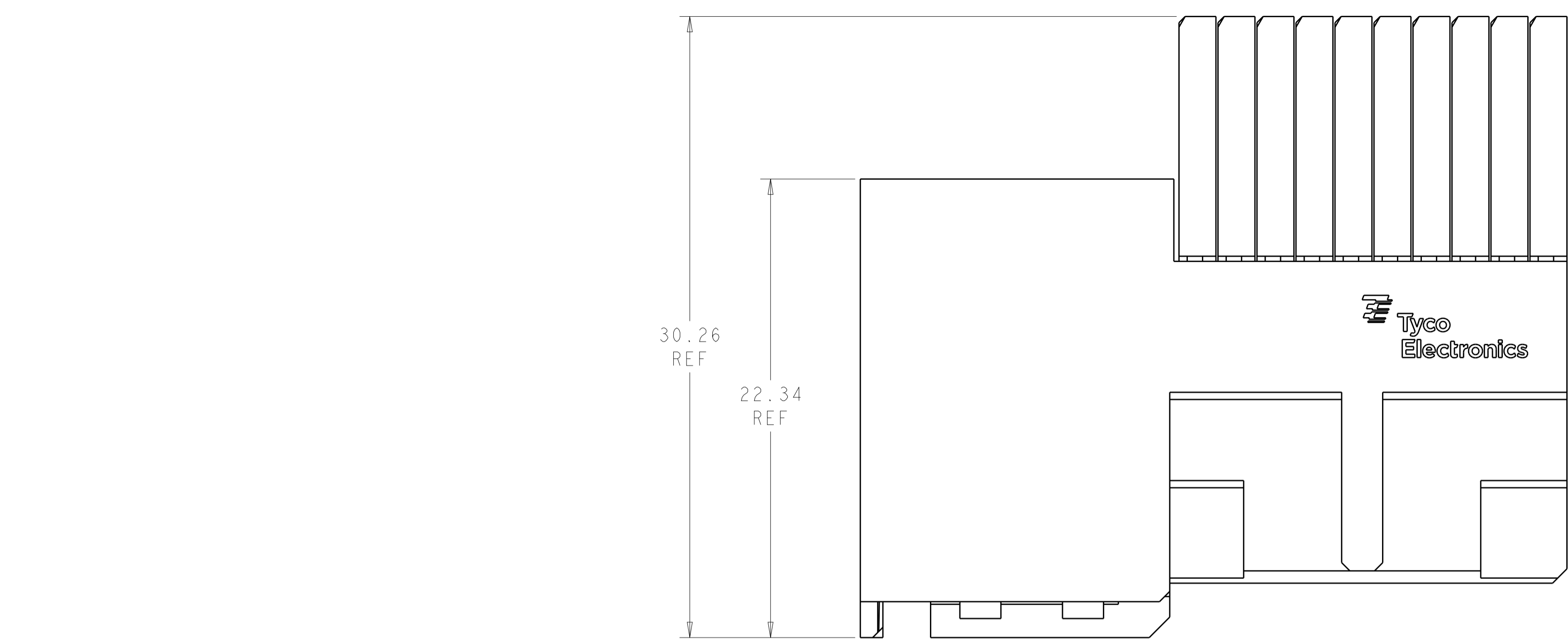
Tel: +86-755-8981 8866 Fax: +86-755-8427 6832

Email & Skype: info@chipsmall.com Web: www.chipsmall.com

Address: A1208, Overseas Decoration Building, #122 Zhenhua RD., Futian, Shenzhen, China



LOC		DIST		REVISIONS			
AD	00	P	LTN	DESCRIPTION	DATE	DWN	APVD
		D		REV PER ECO-12-002769	13FEB2012	WS	RP
		E		REV PER ECO-12-018914	21NOV2012	WS	RP
		F		REV PER ECO-12-020324	15JAN2013	WS	RP



- 1 MATERIAL:  
CONTACT AND SHIELD - PHOS BRONZE  
HOUSING AND CHICKLET - LCP, UL 94V-0,  
COLOR - BLACK
- 2 FINISH:  
SIGNAL CONTACT: MATING AREA - 0.76µm MIN GOLD OVER 1.27µm MIN NICKEL  
COMPLIANT PIN AREA - 0.5µm BRIGHT TIN-LEAD OVER 1.27µm MIN NICKEL  
POWER CONTACT: MATING AREA - 0.08µm MIN GOLD OVER 0.7µm PALADIUM NICKEL  
COMPLIANT PIN AREA: 0.5µm MIN TIN LEAD, ALL OVER 1.27µm MIN NICKEL  
SHIELD: 1.27µm MIN NICKEL
- 3 CONNECTOR MARKED ON EITHER SIDE OF HOUSING WITH PART NUMBER,  
DATE CODE AND STANDARD IN APPROXIMATE AREA SHOWN.
- 4 DIMENSION APPLIES TO CENTERLINE OF THRU HOLE.
- 5 DATUMS AND BASIC DIMENSIONS ESTABLISHED BY CUSTOMER.
- 6 CONTACT AREA LUBRICATED WITH BELLCORE APPROVED LUBRICANT.  
TECHNICAL REFERENCE: GR-1217-CORE, ISSUE 1, NOVEMBER 1995.
- 7 REFERENCE APPLICATION SPEC 114-13202 AND 114-1103 FOR RECOMMENDED PLATED  
THRU HOLE DIAMETER AND PLATING THICKNESSES.
- 8 THE GROUNDS IN EACH COLUMN ARE COMMONED.
- 9 HOLES ARE FOR USE IN SPECIAL APPLICATIONS USING DESCRETE COMPONENTS.
- 10 FINISH:  
SIGNAL CONTACT: MATING AREA - 0.76µm MIN GOLD OVER 1.27µm MIN NICKEL  
COMPLIANT PIN AREA - 0.5µm MATTE TIN OVER 1.27µm MIN NICKEL  
POWER CONTACT: MATING AREA - 0.08µm MIN GOLD OVER 0.7µm MIN PALLADIUM-NICKEL  
COMPLIANT PIN AREA: 0.5µm MIN MATTE TIN, ALL OVER 1.27µm MIN NICKEL  
SHIELD: 1.27µm MIN NICKEL
- 11 FINISH:  
SIGNAL CONTACT: MATING AREA - 0.076µm MIN GOLD OVER 0.68 MIN PALADIUM - NICKEL  
COMPLIANT PIN AREA - 0.5µm MATTE TIN OVER 1.27µm MIN NICKEL  
POWER CONTACT: MATING AREA - 0.08µm MIN GOLD OVER 0.7µm MIN PALLADIUM-NICKEL  
COMPLIANT PIN AREA: 0.5µm MIN MATTE TIN, ALL OVER 1.27µm MIN NICKEL  
SHIELD: 1.27µm MIN NICKEL

11	B & D	A & C	2065698-3
10	B & D	A & C	2065698-2
2	B & D	A & C	2065698-1
FINISH	POSITIONS LOADED WITH 9.3 REF CONTACTS	POSITIONS LOADED WITH 7.68 REF CONTACTS	PART NUMBER

THIS DRAWING IS A CONTROLLED DOCUMENT.

DIMENSIONS: mm

TOLERANCES UNLESS OTHERWISE SPECIFIED:

MATERIAL: FINISH

APPROVED: B. PATTERSON

DATE: 27APR2009

PRODUCT SPEC: RECEPTACLE ASSEMBLY, 4 PAIR, 10 COLUMN, WITH POWER

SIZE: A1

SCALE: 6:1

SHEET: 1 OF 1

REV: F