



Chipsmall Limited consists of a professional team with an average of over 10 year of expertise in the distribution of electronic components. Based in Hongkong, we have already established firm and mutual-benefit business relationships with customers from,Europe,America and south Asia,supplying obsolete and hard-to-find components to meet their specific needs.

With the principle of “Quality Parts,Customers Priority,Honest Operation,and Considerate Service”,our business mainly focus on the distribution of electronic components. Line cards we deal with include Microchip,ALPS,ROHM,Xilinx,Pulse,ON,Everlight and Freescale. Main products comprise IC,Modules,Potentiometer,IC Socket,Relay,Connector.Our parts cover such applications as commercial,industrial, and automotives areas.

We are looking forward to setting up business relationship with you and hope to provide you with the best service and solution. Let us make a better world for our industry!



## Contact us

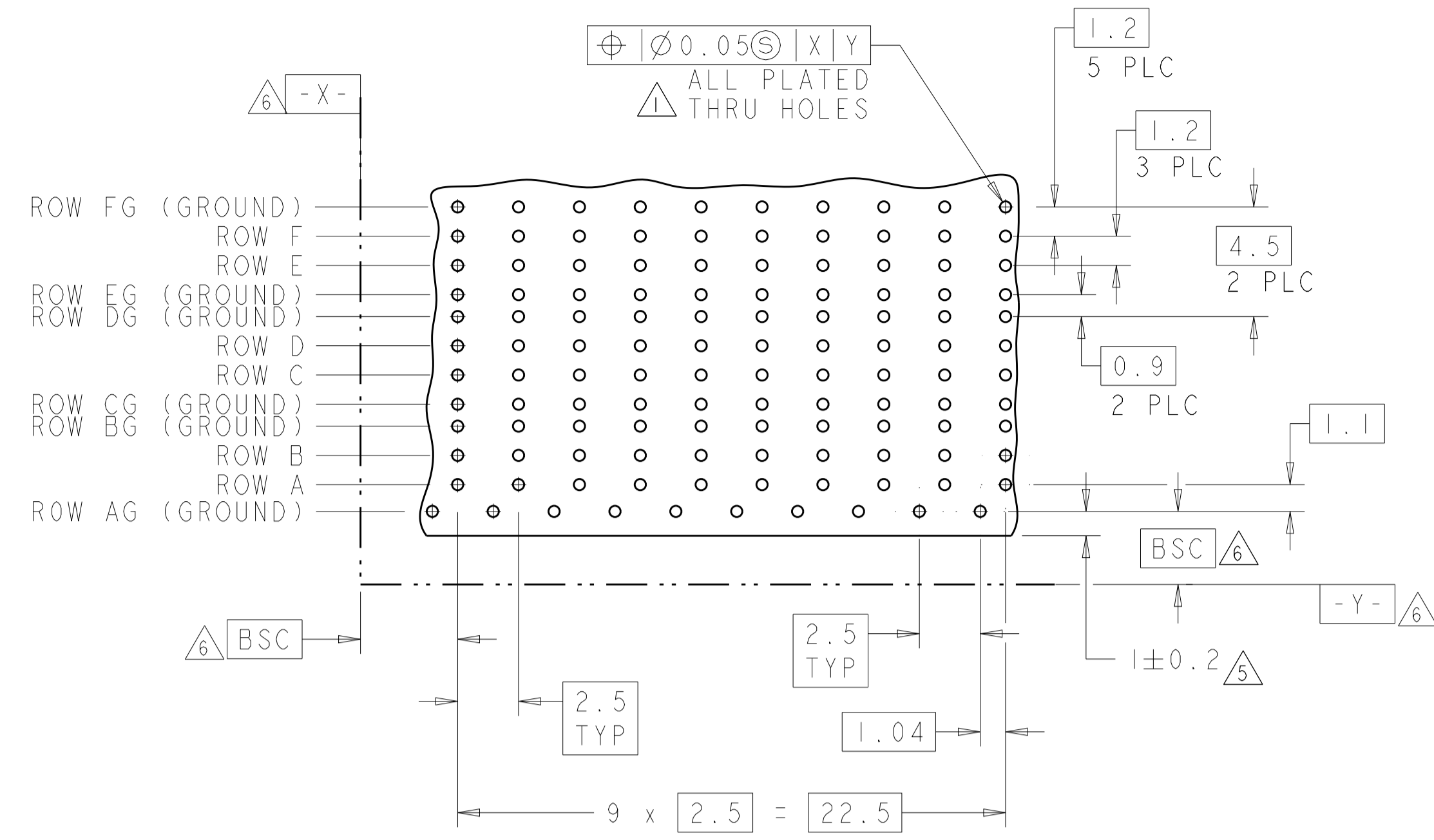
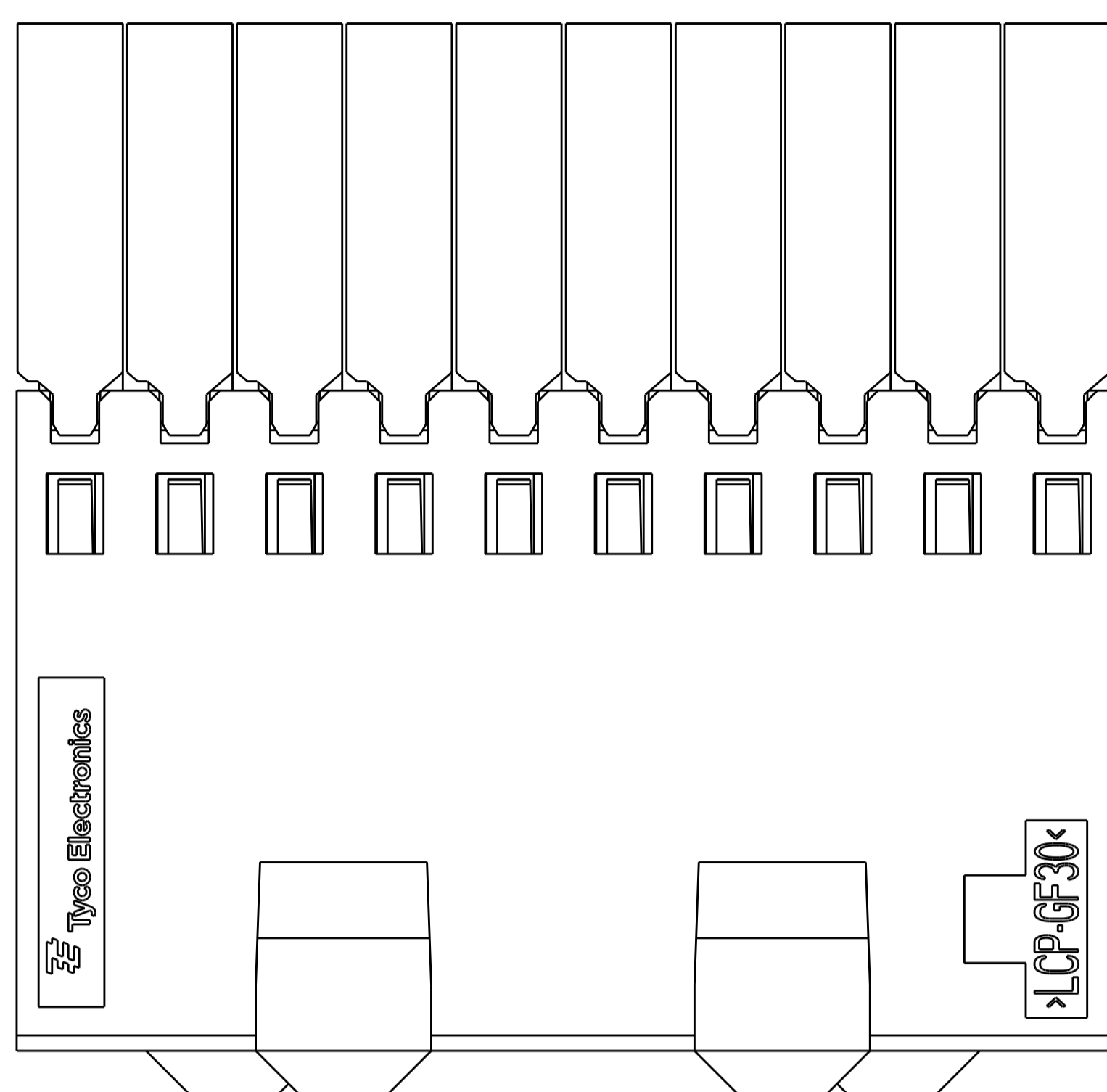
Tel: +86-755-8981 8866 Fax: +86-755-8427 6832

Email & Skype: info@chipsmall.com Web: www.chipsmall.com

Address: A1208, Overseas Decoration Building, #122 Zhenhua RD., Futian, Shenzhen, China

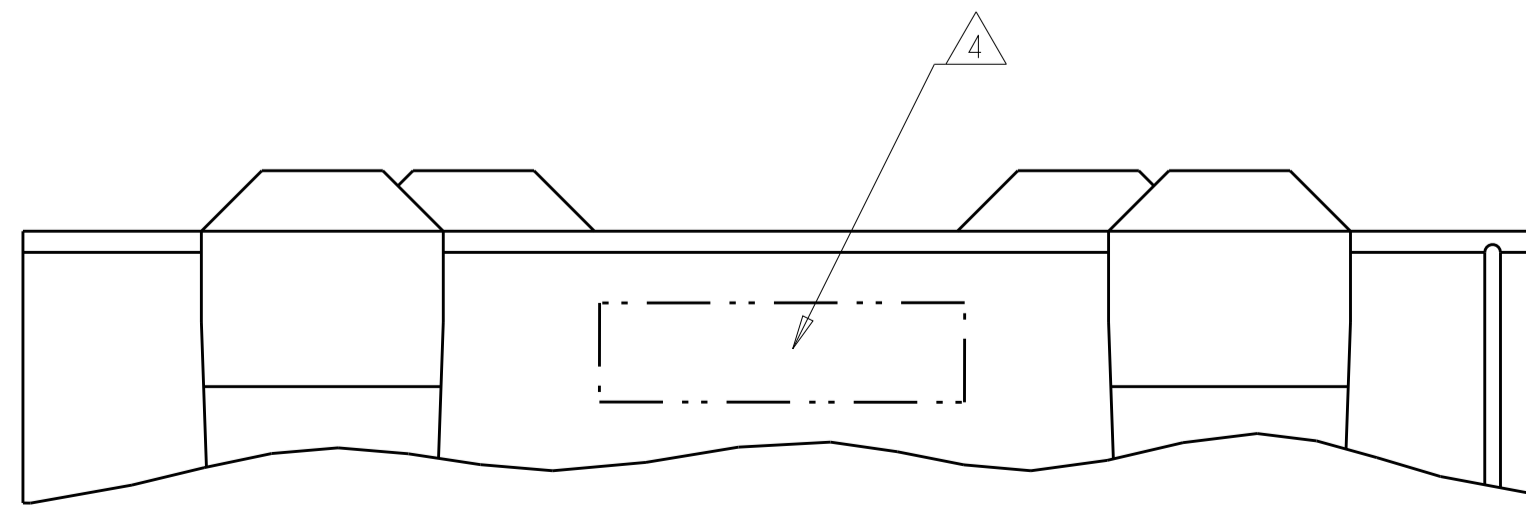
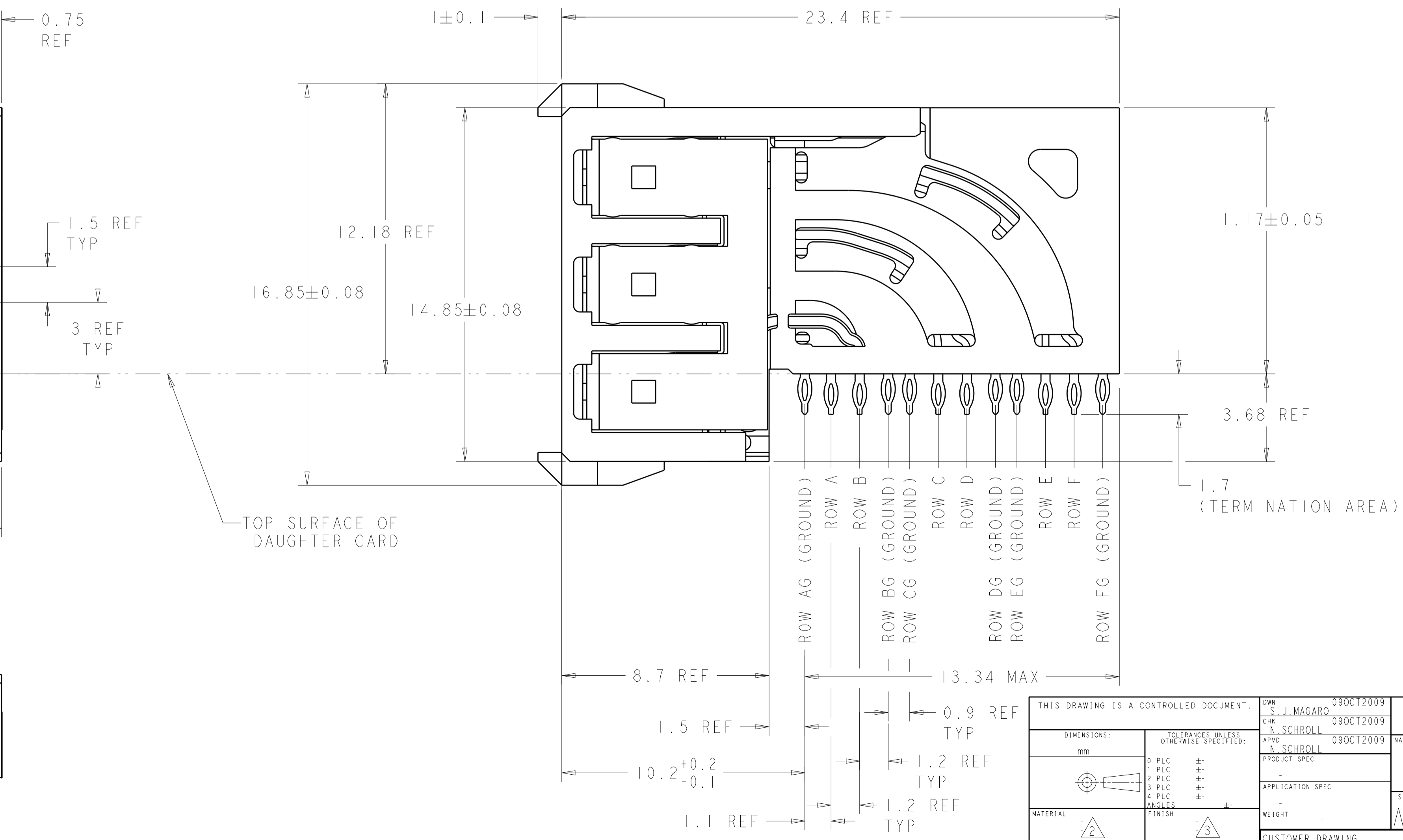
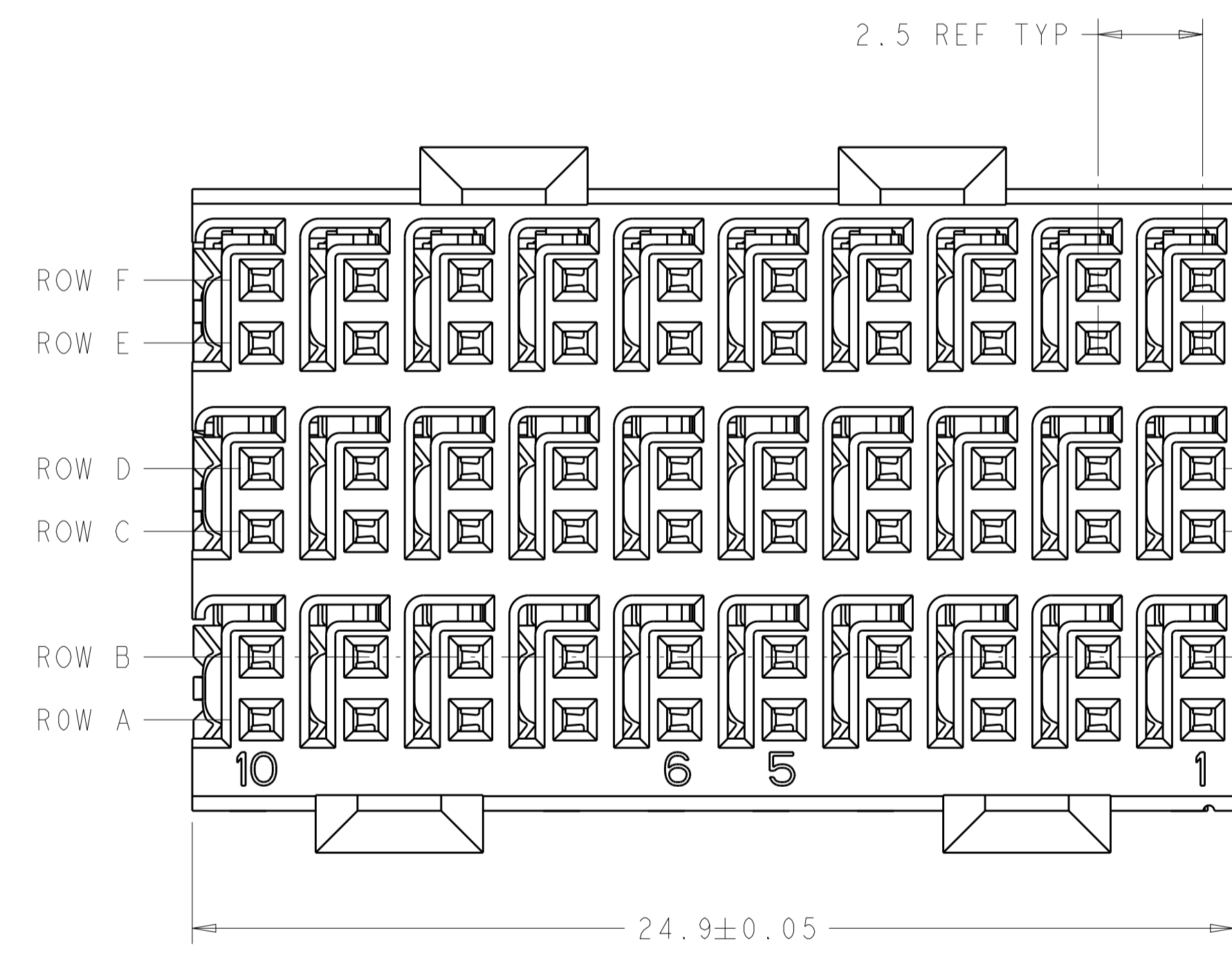


LOC		DIST		REVISIONS			
AD	00	P	LTN	DESCRIPTION	DATE	DWN	APVD
		B		REVISED PER ECO-12-010079	04OCT2012	KH	JE



RECOMMENDED PC BOARD LAYOUT,  
 DAUGHTER BOARD,  
 COMPONENT SIDE SHOWN  
 SCALE 5:1

- 1. REFERENCE APPLICATION SPEC 114-13059 FOR RECOMMENDED PLATED THRU HOLE DIAMETER AND PLATING THICKNESSES.
- 2. MATERIAL:  
 SHIELD - PHOSPHOR BRONZE  
 CONTACT - COPPER-NICKEL-SILICON  
 HOUSING, CHICKLET AND CHICKLET COVER - GLASS FILLED POLYESTER, UL 94V-0 RATED.
- 3. FINISH: CONTACT AND SHIELD  
 MATING AREA:  
 MEETS THE PERFORMANCE REQUIREMENTS OF TYCO ELECTRONICS PRODUCT SPECIFICATION, 108-2055-1; BASED ON TELCORDIA GR-1217-CORE, APPLICATIONS IN UNCONTROLLED ENVIRONMENTS.  
 COMPLIANT PIN AREA:  
 0.5µm MIN BRIGHT TIN/LEAD OVER BASE PLATING.
- 4. CONNECTOR MARKED WITH PART NUMBER AND DATE CODE IN APPROXIMATE AREA SHOWN.
- 5. DIMENSION APPLIES TO CENTERLINE OF THRU HOLE.
- 6. DATUMS AND BASIC DIMENSIONS ESTABLISHED BY CUSTOMER.
- 7. CONTACT AREA LUBRICATED WITH BELLCORE APPROVED LUBRICANT. TECHNICAL REFERENCE: GR-1217-CORE, ISSUE 1, NOVEMBER 1995.
- 8. FINISH: CONTACT AND SHIELD  
 MATING AREA:  
 MEETS THE PERFORMANCE REQUIREMENTS OF TYCO ELECTRONICS PRODUCT SPECIFICATION, 108-2055-1; BASED ON TELCORDIA GR-1217-CORE, APPLICATIONS IN UNCONTROLLED ENVIRONMENTS.  
 COMPLIANT PIN AREA:  
 0.5µm MIN MATTE TIN OVER BASE PLATING.



3	2065883-2
8	2065883-1
FINISH	PART NUMBER

THIS DRAWING IS A CONTROLLED DOCUMENT.

DIMENSIONS:	TOLERANCES UNLESS OTHERWISE SPECIFIED:	DWN S. J. MAGARO 09OCT2009	NAME ASSEMBLY, Z-Pack Hm-Zd Plus, RECEPTACLE, 3 PAIR
mm	0 PLC ±	CHK N. SCHROLL 09OCT2009	SIZE CAGE CODE DRAWING NO RESTRICTED TO
	1 PLC ±	APVD N. SCHROLL 09OCT2009	A100779C=2065883
	2 PLC ±	PRODUCT SPEC	SCALE 8:1 SHEET 1 OF 1 REV B
	3 PLC ±	APPLICATION SPEC	
	4 PLC ±	WEIGHT	
	5 PLC ±	CUSTOMER DRAWING	
	ANGLES		
	FINISH		