



Chipsmall Limited consists of a professional team with an average of over 10 year of expertise in the distribution of electronic components. Based in Hongkong, we have already established firm and mutual-benefit business relationships with customers from,Europe,America and south Asia,supplying obsolete and hard-to-find components to meet their specific needs.

With the principle of "Quality Parts,Customers Priority,Honest Operation,and Considerate Service",our business mainly focus on the distribution of electronic components. Line cards we deal with include Microchip,ALPS,ROHM,Xilinx,Pulse,ON,Everlight and Freescale. Main products comprise IC,Modules,Potentiometer,IC Socket,Relay,Connector.Our parts cover such applications as commercial,industrial, and automotives areas.

We are looking forward to setting up business relationship with you and hope to provide you with the best service and solution. Let us make a better world for our industry!



Contact us

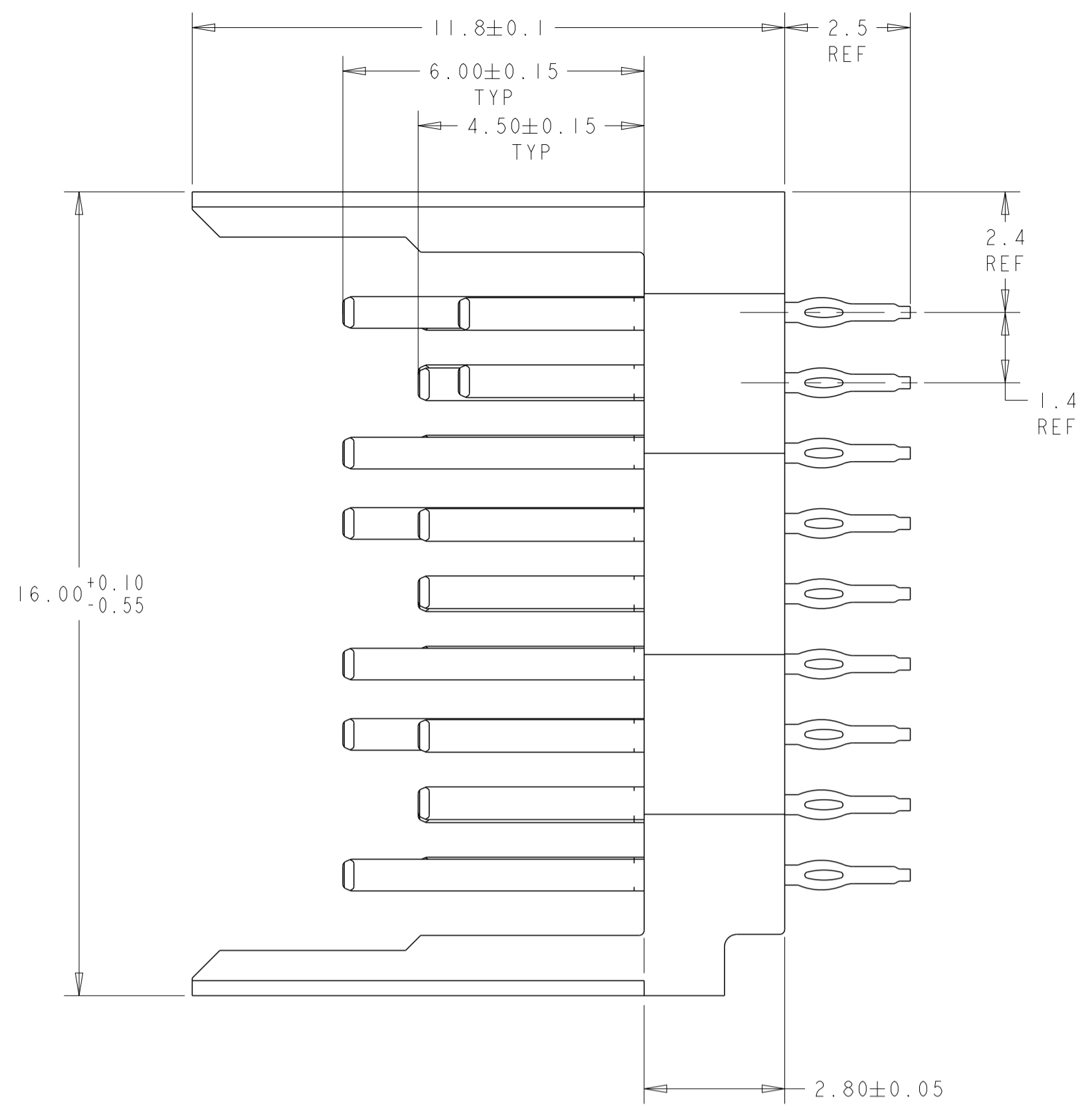
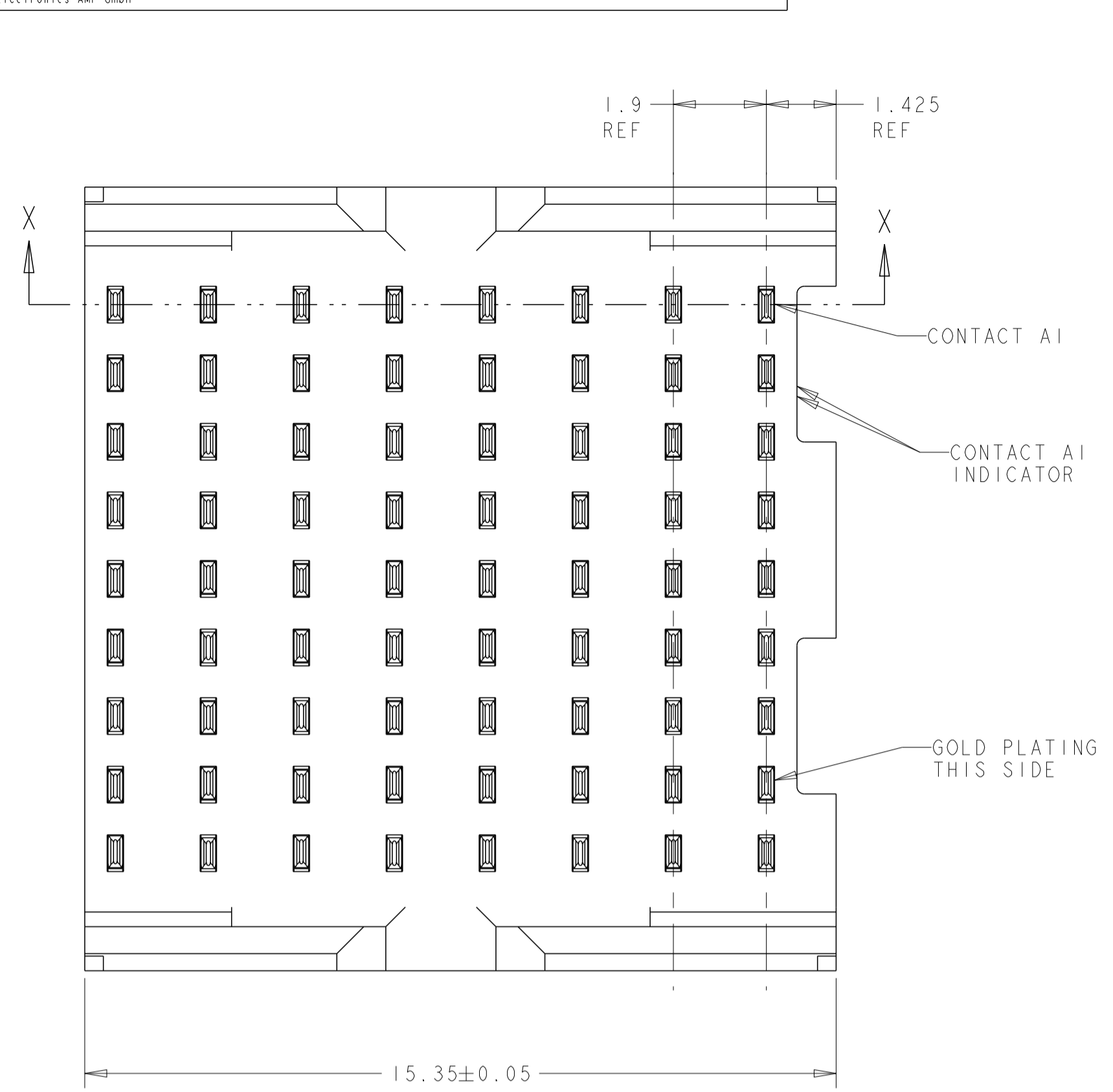
Tel: +86-755-8981 8866 Fax: +86-755-8427 6832

Email & Skype: info@chipsmall.com Web: www.chipsmall.com

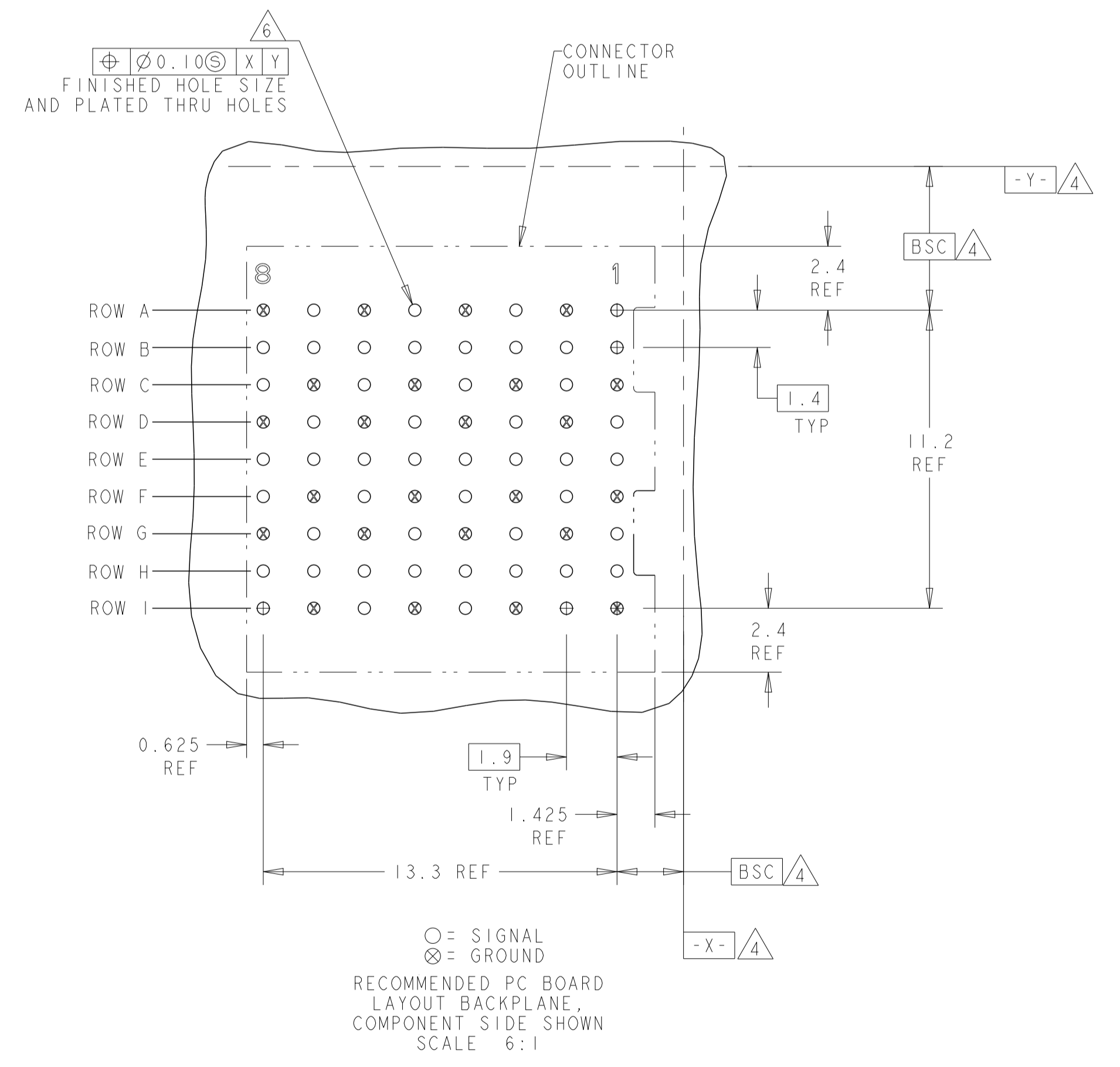
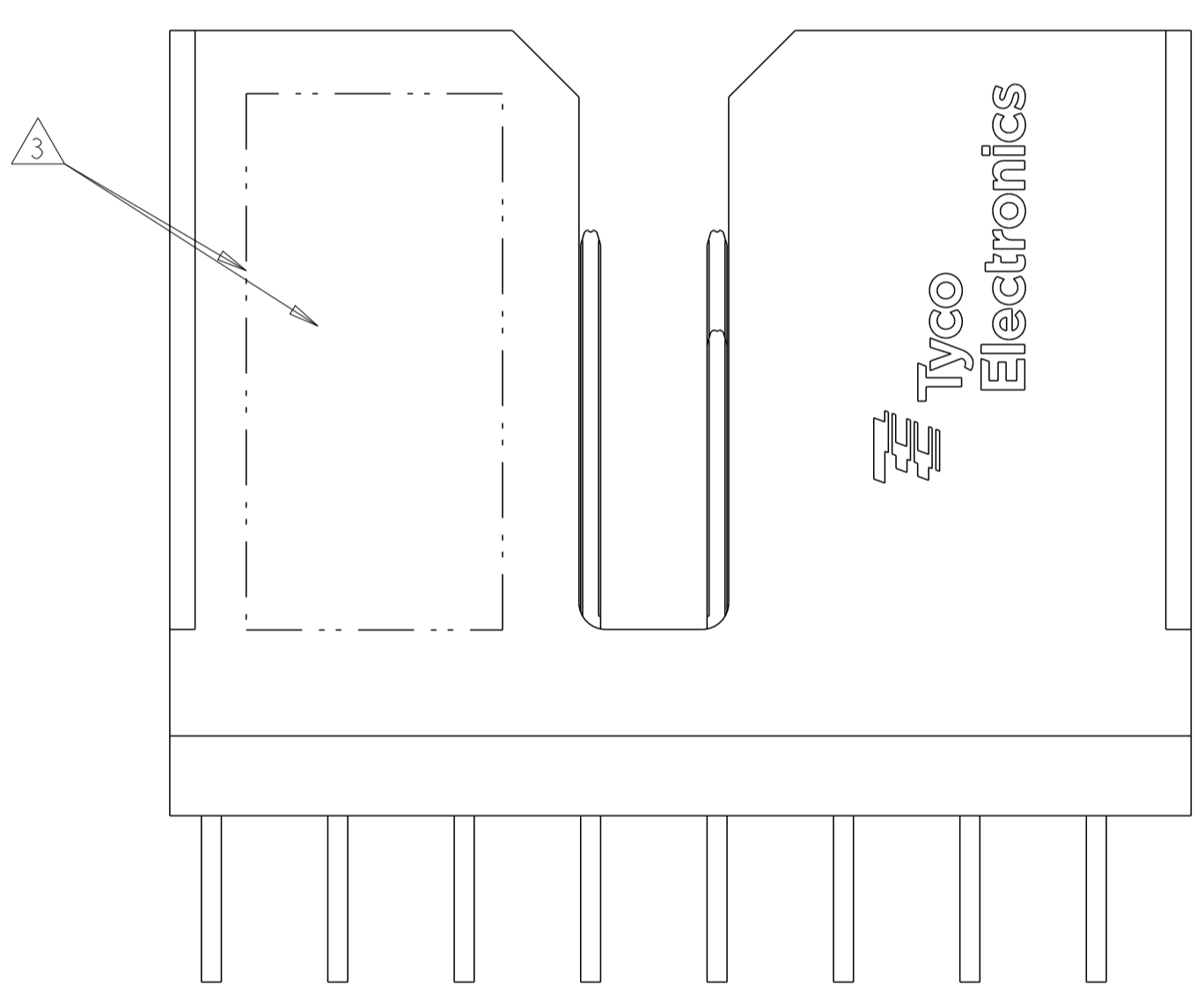
Address: A1208, Overseas Decoration Building, #122 Zhenhua RD., Futian, Shenzhen, China



LOC	DIST	REVISIONS			
P	LTN	DESCRIPTION	DATE	DMN	APVD
D		REVISED PER ECO-13-002460	15FEB2013	KH	RP

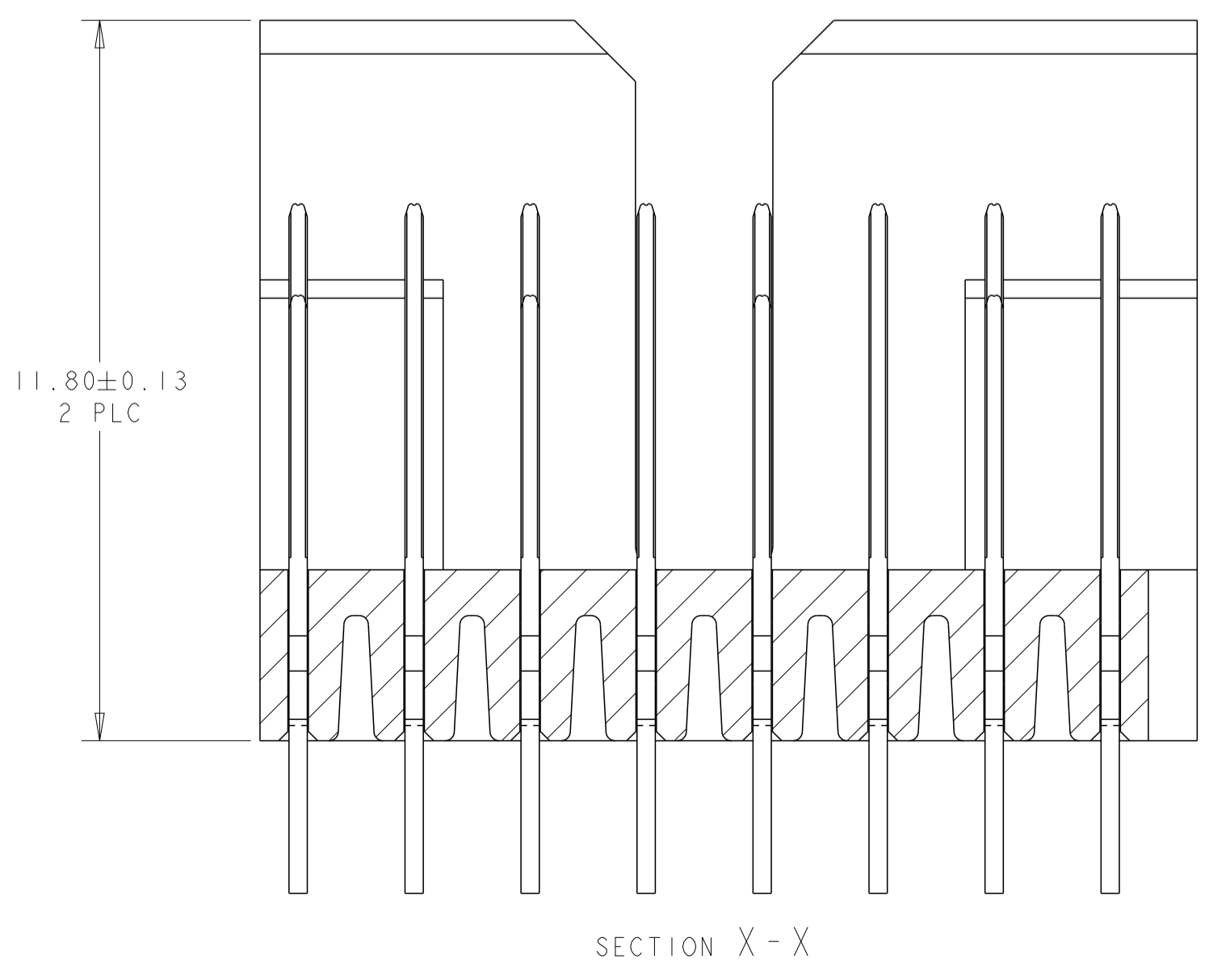


- 1 MATERIAL:
CONTACT - PHOS BRONZE
HOUSING - LCP, UL 94V-0, COLOR - BLACK
- 2 FINISH:
CONTACT AREA FINISH CONFORMS TO THE REQUIREMENTS OF TE PRODUCT SPECIFICATION 108-2303; BASED ON TELCORDIA GR-1217-CORE FOR SYSTEM QUALITY LEVEL III APPLICATIONS IN CONTROLLED ENVIRONMENTS (CENTRAL OFFICE).
COMPLIANT PIN AREA-0.5µm MIN BRIGHT TIN-LEAD OVER 1.27µm MIN NICKEL.
- 3 CONNECTOR MARKED WITH PART NUMBER, DATE CODE, MANUFACTURING BUILDING CODE AND STANDARD IN APPROXIMATE AREA SHOWN
- 4 DATUMS AND BASIC DIMENSIONS ESTABLISHED BY CUSTOMER.
- 5 CONTACT AREA LUBRICATED WITH BELLCORE APPROVED LUBRICANT. TECHNICAL REFERENCE GR-1217-CORE, ISSUE 1, NOVEMBER 1995.
- 6 REFERENCE APPLICATION SPEC 114-13202 FOR RECOMMENDED PLATED THRU HOLE DIAMETER AND PLATING THICKNESSES.
- 7 FINISH: CONTACT
MATING AREA - 0.76µm MIN GOLD OVER 1.27µm MIN NICKEL
COMPLIANT PIN AREA - 0.5µm MATTE TIN OVER 1.27µm MIN NICKEL



CONTACT LAYOUT
 A = 4.50mm (DIM M)
 B = 3.70mm (DIM M)
 G = GROUND 6.00mm

ROWS	COLUMNS							
	8	7	6	5	4	3	2	1
A	G	A	G	A	G	A	G	B
B	A	A	A	A	A	A	A	B
C	A	G	A	G	A	G	A	G
D	G	A	G	A	G	A	G	A
E	A	A	A	A	A	A	A	A
F	A	G	A	G	A	G	A	G
G	G	A	G	A	G	A	G	A
H	B	A	A	A	A	A	A	A
I	B	G	A	G	A	G	A	G



7	2065915-2
2	2065915-1
FINISH	PART NUMBER

THIS DRAWING IS A CONTROLLED DOCUMENT.

DMN: B. CARBO 07JAN2010	NAME: B. PATTERSON
CHK: R. PATTERSON 07JAN2010	PRODUCT SPEC: APPLICATION SPEC
APVD: R. PATTERSON 07JAN2010	SIZE: A1
TOLERANCES UNLESS OTHERWISE SPECIFIED:	SCALE: 10:1
0 PLC ±	SHEET: 1 OF 1
1 PLC ±	REV: D
2 PLC ±	
3 PLC ±	
4 PLC ±	
ANGLES ±	
FINISH ±	

Customer Drawing