



Chipsmall Limited consists of a professional team with an average of over 10 year of expertise in the distribution of electronic components. Based in Hongkong, we have already established firm and mutual-benefit business relationships with customers from,Europe,America and south Asia,supplying obsolete and hard-to-find components to meet their specific needs.

With the principle of “Quality Parts,Customers Priority,Honest Operation,and Considerate Service”,our business mainly focus on the distribution of electronic components. Line cards we deal with include Microchip,ALPS,ROHM,Xilinx,Pulse,ON,Everlight and Freescale. Main products comprise IC,Modules,Potentiometer,IC Socket,Relay,Connector.Our parts cover such applications as commercial,industrial, and automotives areas.

We are looking forward to setting up business relationship with you and hope to provide you with the best service and solution. Let us make a better world for our industry!



Contact us

Tel: +86-755-8981 8866 Fax: +86-755-8427 6832

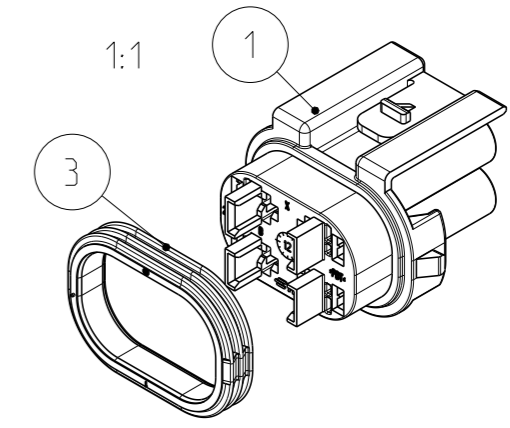
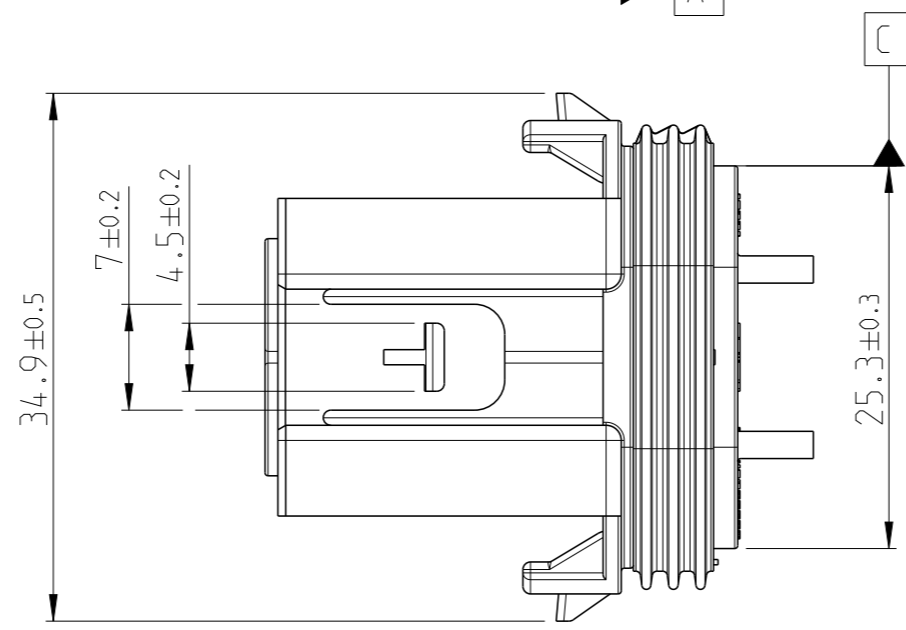
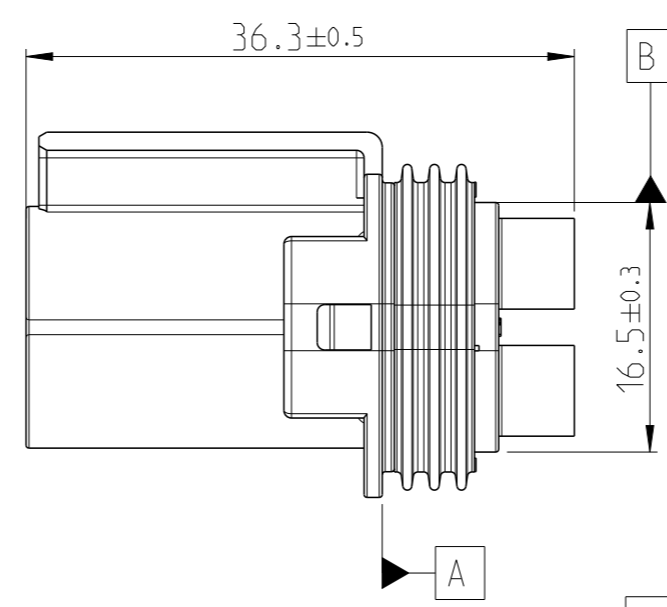
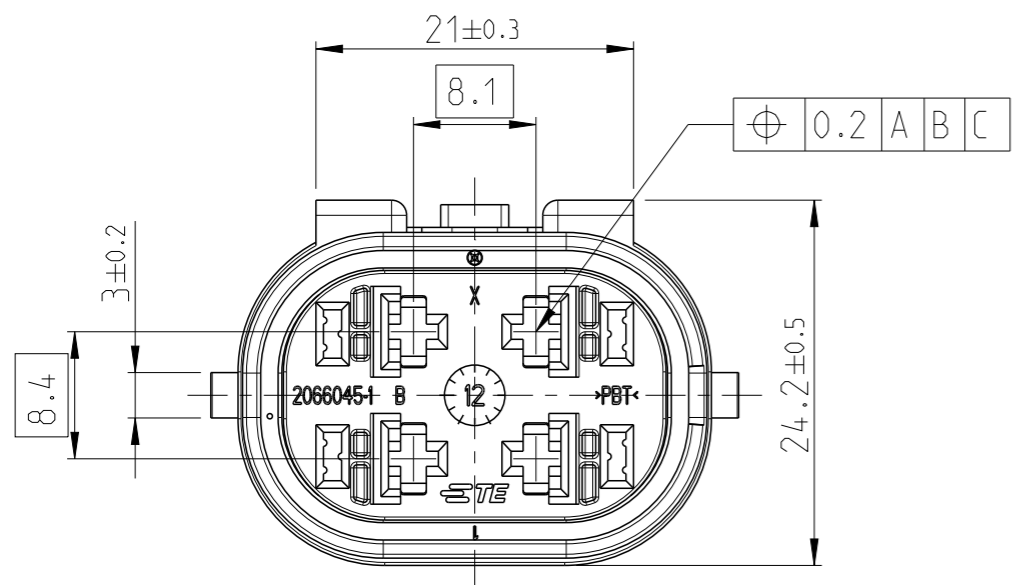
Email & Skype: info@chipsmall.com Web: www.chipsmall.com

Address: A1208, Overseas Decoration Building, #122 Zhenhua RD., Futian, Shenzhen, China



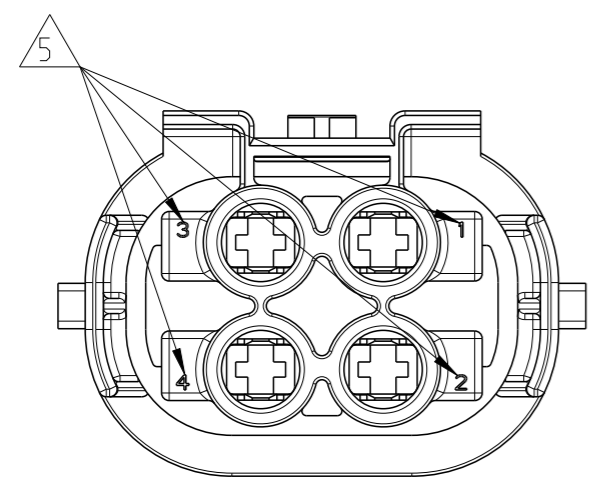
LOC IT DIST -

REVISIONS					
P	LTR	DESCRIPTION	DATE	DWN	APVD
	A	NEW DRAWING RELEASE	10JUN2014	GG	RK
	A1	ECR-16-015264	02NOV2016	CS	VVB
	A2	ECR-17-001057	24JAN2017	CS	DH



- NOTES :-
1. NO SCORES, DUST ON SEAL RING ARE PERMISSIBLE
 2. REFER CONTACT PN: 968882, 968855, 968857.
 3. REFER WIRE SEAL PN: 828904, 828905.
 4. MATING COVER PN : 2066502-1, -2, -3.
 5. CAVITY MARKING : 1, 2, 3 & 4.
 6. REFER APPLICATION SPEC FOR STANDARD CLIP OFFERINGS.

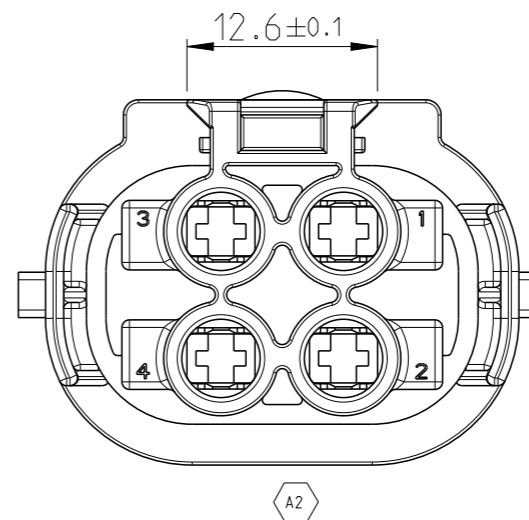
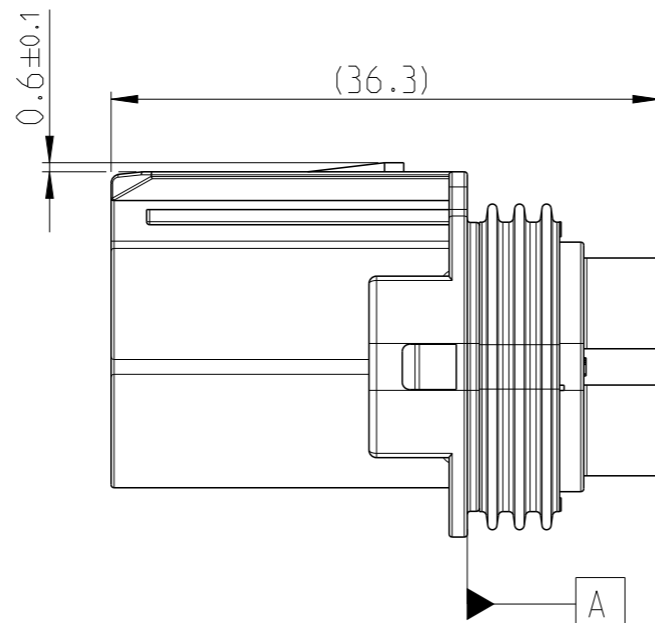
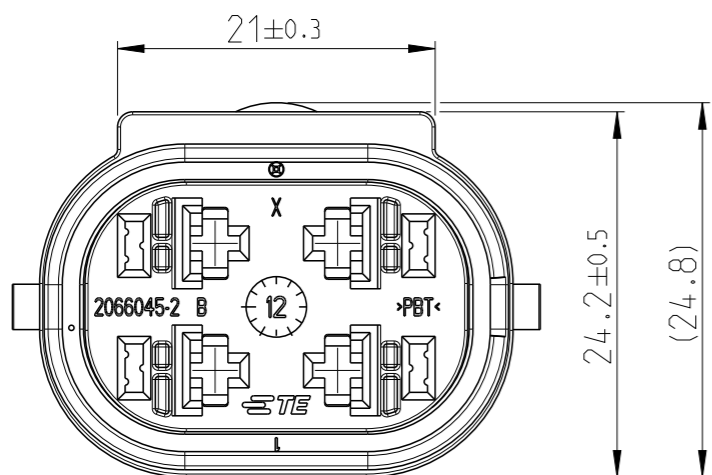
2066046-1 AS SHOWN



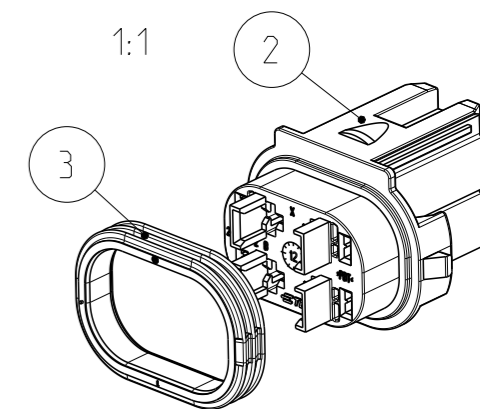
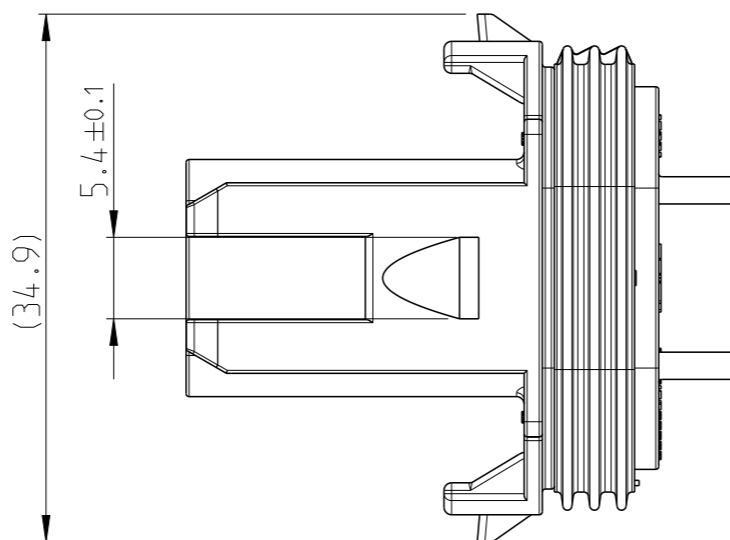
QTY	REV	PART NO.	DESCRIPTION	MATERIAL	ITEM
-2	-1	-----ASSEMBLY PART NUMBERS			
1	1	D 1544767-1	2-WAY 8mm NGI INTERFACIAL SEAL	SILICON	3
1	-	B 2066045-2	2POS MINIFUSE BOX HOUSING	PBT	2
-	1	B 2066045-1	2POS MINIFUSE BOX HOUSING	PBT	1

THIS DRAWING IS A CONTROLLED DOCUMENT.		DWN RAMESH. S 14AUG2012	STE TE Connectivity		
DIMENSIONS: mm		CHK VINAY. S 14AUG2012			
TOLERANCES UNLESS OTHERWISE SPECIFIED: DIN 16901-140		APVD MADHU. J 14AUG2012	NAME 2 POS SEALED MINIFUSE BOX HOUSING ASS'LY		
0 PLC ±		PRODUCT SPEC 108-72108	SIZE A3		
1 PLC ±		APPLICATION SPEC 114-72110	CAGE CODE 00779	DRAWING NO C=2066046	RESTRICTED TO -
2 PLC ±		WEIGHT -	SCALE 2:1 SHEET 1 OF 2 REV A2		
3 PLC ±		CUSTOMER DRAWING			
4 PLC ±					
ANGLES ±1°					
FINISH -					

P	LTR	DESCRIPTION	DATE	DWN	APVD
-		SEE SHEET 1	-	-	-



2066046-2 AS SHOWN



THIS DRAWING IS A CONTROLLED DOCUMENT.

DWN RAMESH. S 14AUG2012

CHK VINAY. S 14AUG2012

APVD MADHU. J 14AUG2012

PRODUCT SPEC 108-72108

APPLICATION SPEC 114-72110

WEIGHT -

CUSTOMER DRAWING



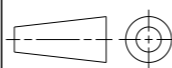
NAME 2 POS SEALED MINIFUSE BOX HOUSING ASSLY

SIZE A3 CAGE CODE 00779 DRAWING NO C=2066046 RESTRICTED TO -

SCALE 2:1 SHEET 2 OF 2 REV A2

DIMENSIONS: mm

TOLERANCES UNLESS OTHERWISE SPECIFIED: DIN 16901-140



0 PLC	±
1 PLC	±
2 PLC	±
3 PLC	±
4 PLC	±
ANGLES	±1°
FINISH	-

MATERIAL SEE TABLE