



Chipsmall Limited consists of a professional team with an average of over 10 year of expertise in the distribution of electronic components. Based in Hongkong, we have already established firm and mutual-benefit business relationships with customers from,Europe,America and south Asia,supplying obsolete and hard-to-find components to meet their specific needs.

With the principle of "Quality Parts,Customers Priority,Honest Operation,and Considerate Service",our business mainly focus on the distribution of electronic components. Line cards we deal with include Microchip,ALPS,ROHM,Xilinx,Pulse,ON,Everlight and Freescale. Main products comprise IC,Modules,Potentiometer,IC Socket,Relay,Connector.Our parts cover such applications as commercial,industrial, and automotives areas.

We are looking forward to setting up business relationship with you and hope to provide you with the best service and solution. Let us make a better world for our industry!



## Contact us

Tel: +86-755-8981 8866 Fax: +86-755-8427 6832

Email & Skype: info@chipsmall.com Web: www.chipsmall.com

Address: A1208, Overseas Decoration Building, #122 Zhenhua RD., Futian, Shenzhen, China

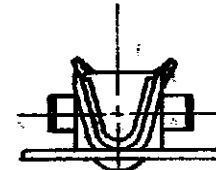
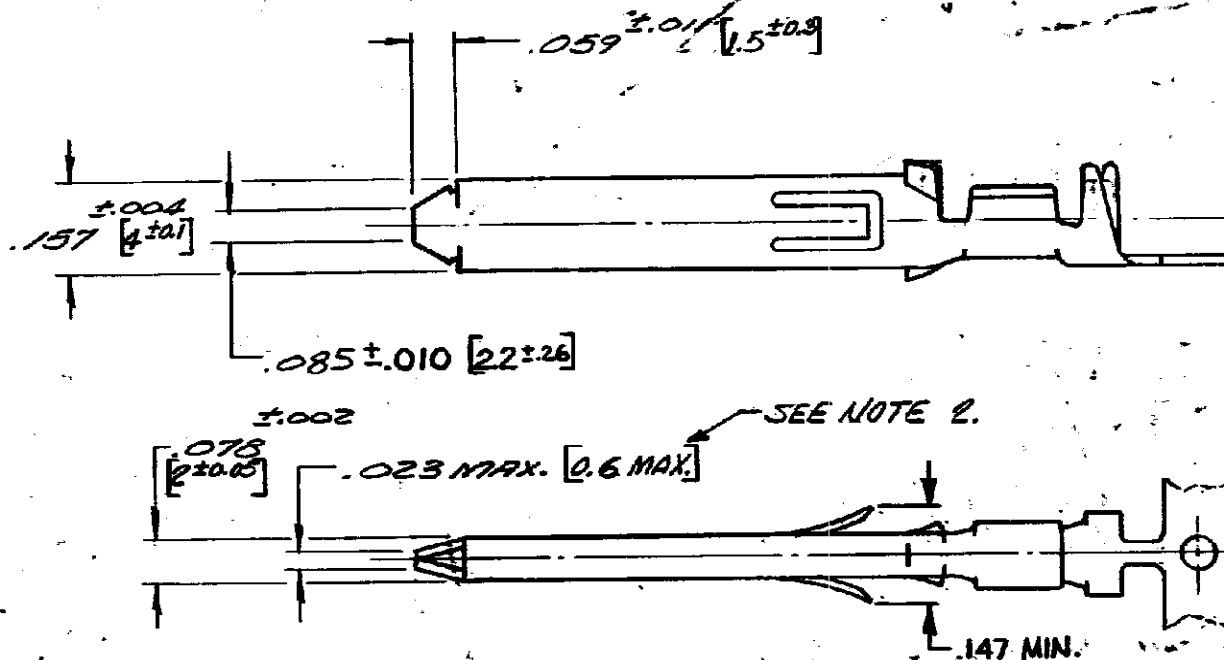


DRAWING MADE IN THIRD ANGLE PROJECTION

© COPYRIGHT 1974 BY AMP INCORPORATED, HARRISBURG, PA. ALL INTERNATIONAL RIGHTS RESERVED. AMP INCORPORATED PRODUCTS COVERED BY U. S. AND FOREIGN PATENTS AND/OR PATENTS PENDING.

206638-2	AS SHOWN ON STRIP (STATUS OBSOLETE)	PLATE PER NOTE 3
206638-3	AS SHOWN LOOSE PIECE (STATUS OBSOLETE)	PLATE PER NOTE 3
5-206638-2	AS SHOWN ON STRIP (RoHS COMPLIANT)	PLATE PER NOTE 4
5-206638-3	AS SHOWN LOOSE PIECE (RoHS COMPLIANT)	PLATE PER NOTE 4

		REVISIONS				
	P	ZONE	LTR	DESCRIPTION	DATE	APPROVED
			O	RELEASED WAS 5089-2	28	1/30/74 RDM
			A	REV. PER ECN D-045	28	5/27/74 S.J.
			B	REV. PER ECN J-876	24	8/22/74 DE JKL
			C	REV. PER ECN R-720	10-17-81	MPH BV
			D	REV./ECN R-1917	3-4-88	MPH MK
			E	ADDED-3/ECN R-2735	7-28-87	RG THW
			F	REVISED ECN 54620	5-10-88	THW
			G	REVISED ECN 54712	7-7-88	THW
			H	REVISED PER ECR-16-018092	82-12-16	PO



CONTACT U.L. LISTED FOR 15 AMPS, 250 VOLTS WITH 16 AWG WHEN USED IN AMP INC. HOUSING NO. 206637-1.

1. ACCOMMODATES 20-18-16 AWG, INSULATION RANGE .080/.135 DIA.
2. FIGURES SHOWN IN BRACKETS REPRESENT DIMENSIONS IN MILLIMETERS.
3. FINISH: TIN .000050 MIN THICK PER MIL-T-10727 OVER NICKEL (FLASH) PER QQ-N-290. PLATING THICKNESS POINT OF MEASUREMENT EQUALS 1/2 CONTACT LENGTH.
4. FINISH: TIN (WHISKER MITIGATED, LEAD-FREE) .000050 MINIMUM THICKNESS PER ASTM-B545-13 OVER NICKEL FLASH PER QQ-N-290. POINT OF MEASUREMENT EQUALS 1/2 CONTACT LENGTH.

UNLESS OTHERWISE SPECIFIED DIMENSIONS ARE IN INCHES. TOLERANCES - ANGLES ±	CONTRACT NO	PART NO	
	DR <i>D-22-73</i>	TE Connectivity	
	CHK <i>RDM 4/30/74</i>	NAME <i>PIN CONTACT - POWER CORD RECP. (CRIMP)</i>	
	APP <i>S. J. 4/20/74</i>	SIZE <b>B</b>	CODE IDENT NO <b>00779</b>
MATERIAL <b>BRASS</b>	OTHER APPD	SCALE <b>2-1</b>	SHEET <b>1 OF 1</b>