



Chipsmall Limited consists of a professional team with an average of over 10 year of expertise in the distribution of electronic components. Based in Hongkong, we have already established firm and mutual-benefit business relationships with customers from,Europe,America and south Asia,supplying obsolete and hard-to-find components to meet their specific needs.

With the principle of "Quality Parts,Customers Priority,Honest Operation,and Considerate Service",our business mainly focus on the distribution of electronic components. Line cards we deal with include Microchip,ALPS,ROHM,Xilinx,Pulse,ON,Everlight and Freescale. Main products comprise IC,Modules,Potentiometer,IC Socket,Relay,Connector.Our parts cover such applications as commercial,industrial, and automotives areas.

We are looking forward to setting up business relationship with you and hope to provide you with the best service and solution. Let us make a better world for our industry!



## Contact us

Tel: +86-755-8981 8866 Fax: +86-755-8427 6832

Email & Skype: info@chipsmall.com Web: www.chipsmall.com

Address: A1208, Overseas Decoration Building, #122 Zhenhua RD., Futian, Shenzhen, China

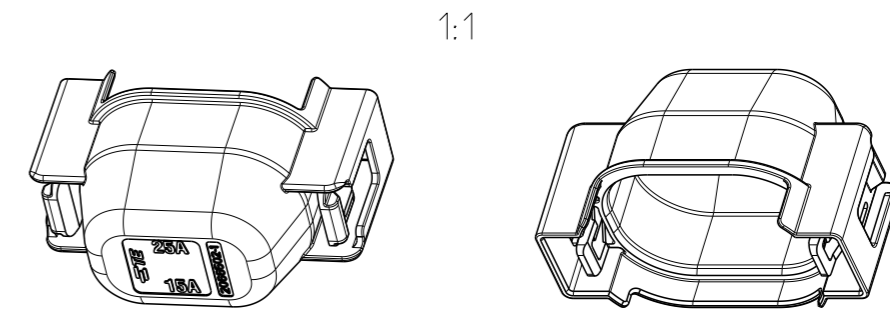
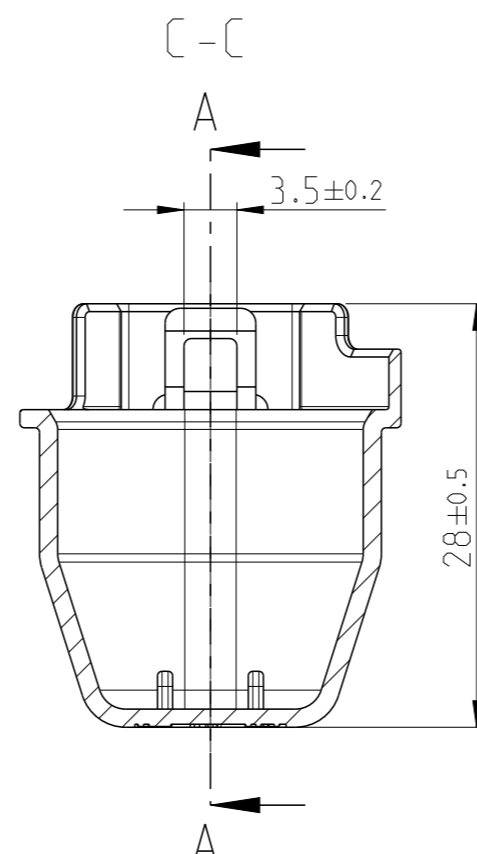
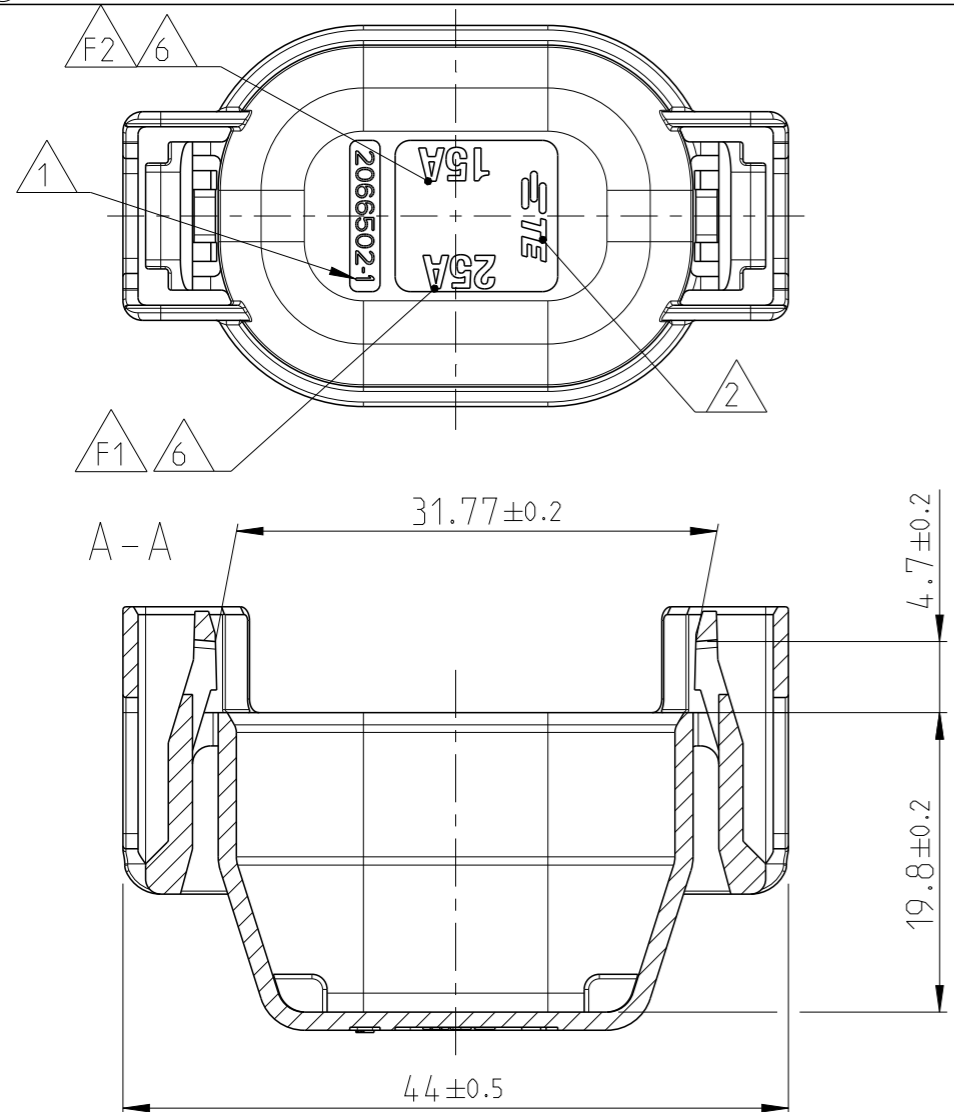


LOC IT  
 DIST -

REVISIONS					
P	LTR	DESCRIPTION	DATE	DWN	APVD
	A	NEW RELEASE	10JUN2014	GG	RK
	A1	ECR-14-010210	08JULY2014	KG	RK
	A2	ECR-16-015264	02NOV2016	CS	VVB
	A3	ECR-17-002833	27FEB2017	CS	VVB

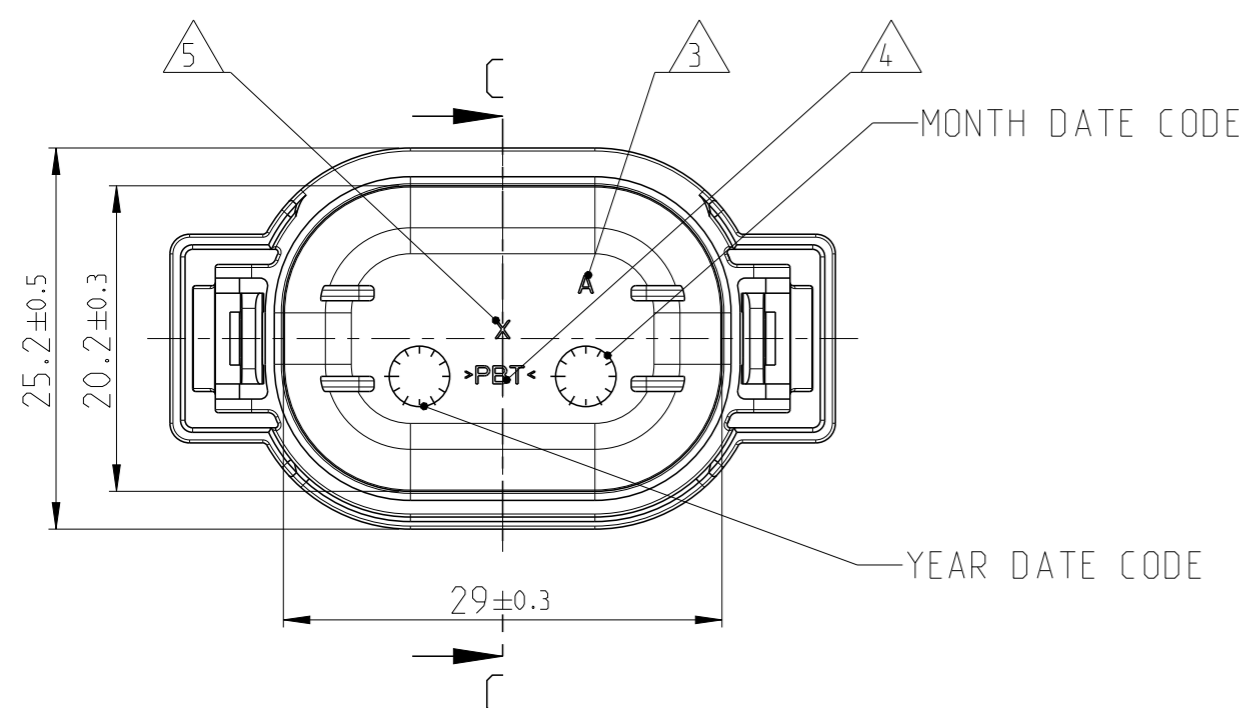
TABLE 1  
 FUSE CURRENT MATRIX

PART NO.	2066502-1	2066502-2	2066502-3
F1	25A	25A	-
F2	15A	10A	-



NOTES:

- ① TE PART NO.
- ② TE TRADEMARK
- ③ PART REVISION INDEX
- ④ MATERIAL IDENTIFICATION
- ⑤ MOLD CAVITY IDENTIFICATION NUMBER
- ⑥ MARKING FOR CURRENT RATING
- ⑦ 15% MAX. PERMITTED REGRIND MATERIAL, PROCESSED IN CLOSED LOOP.
- 8. DRAWING SHOWN FOR P/N: 2066502-1. REFER TABLE 1 FOR DETAILS REGARDING OTHER PART NUMBERS.



2066502-1  
 AS SHOWN

2066502-3	A	COVER, MINI FUSE 2POS.	PBT	5	BLACK	3
2066502-2	A	COVER, MINI FUSE 2POS.	PBT	5	GRAY	2
2066502-1	A	COVER, MINI FUSE 2POS.	PBT	5	BLACK	1
TE PART NO	REV	DESCRIPTION	MATERIAL	WEIGHT [g]	SURFACE COLOR	ITEM

THIS DRAWING IS A CONTROLLED DOCUMENT.

DWN VISHWA. A 19JUN2012  
 CHK MADHUL. L 13JUL2012  
 APVD MADHUL. L 13JUL2012

DIMENSIONS: mm  
 TOLERANCES UNLESS OTHERWISE SPECIFIED: DIN 16901-140

0 PLC ±  
 1 PLC ±  
 2 PLC ±  
 3 PLC ±  
 4 PLC ±  
 ANGLES ±1°  
 FINISH -

MATERIAL SEE TABLE

NAME COVER, 2POS MINIFUSE BOX HOUSING

PRODUCT SPEC 108-72108  
 APPLICATION SPEC -

WEIGHT -

SCALE 2:1

SHEET 1 OF 1

REV A3

CUSTOMER DRAWING

RESTRICTED TO -