



Chipsmall Limited consists of a professional team with an average of over 10 year of expertise in the distribution of electronic components. Based in Hongkong, we have already established firm and mutual-benefit business relationships with customers from,Europe,America and south Asia,supplying obsolete and hard-to-find components to meet their specific needs.

With the principle of “Quality Parts,Customers Priority,Honest Operation,and Considerate Service”,our business mainly focus on the distribution of electronic components. Line cards we deal with include Microchip,ALPS,ROHM,Xilinx,Pulse,ON,Everlight and Freescale. Main products comprise IC,Modules,Potentiometer,IC Socket,Relay,Connector.Our parts cover such applications as commercial,industrial, and automotives areas.

We are looking forward to setting up business relationship with you and hope to provide you with the best service and solution. Let us make a better world for our industry!



Contact us

Tel: +86-755-8981 8866 Fax: +86-755-8427 6832

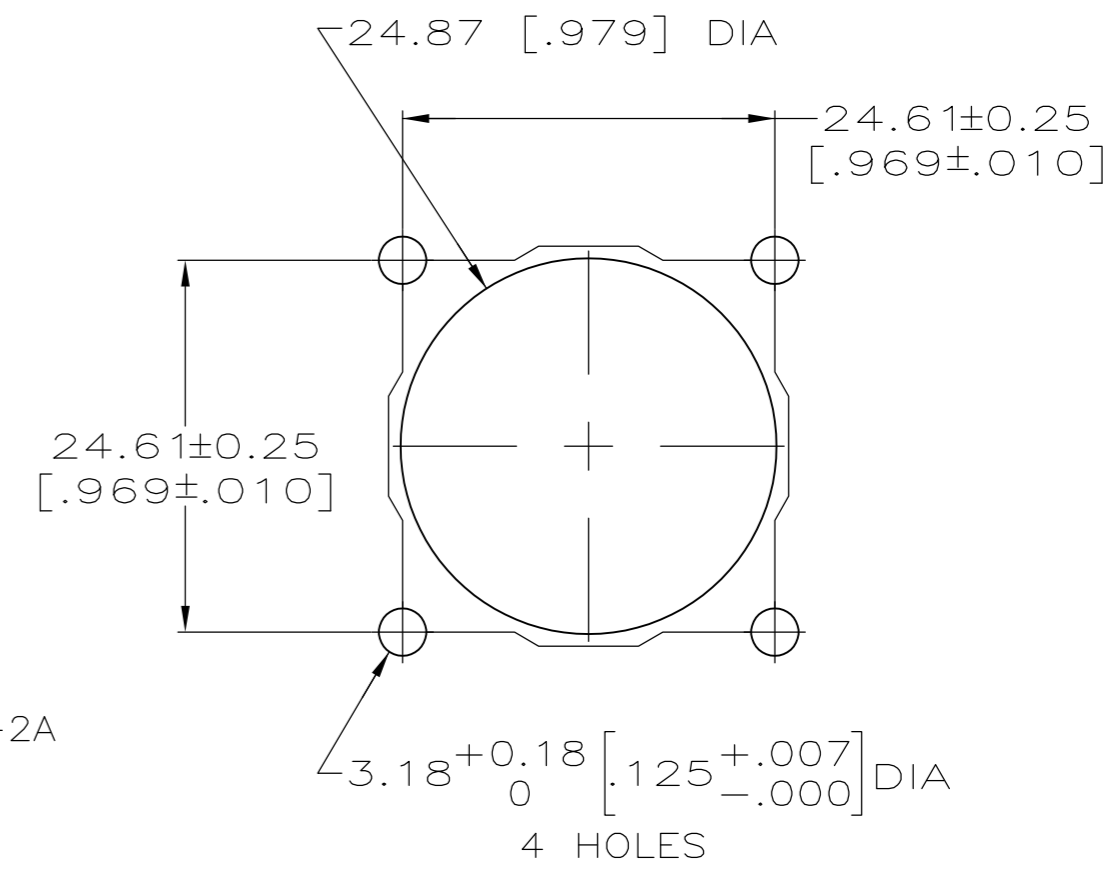
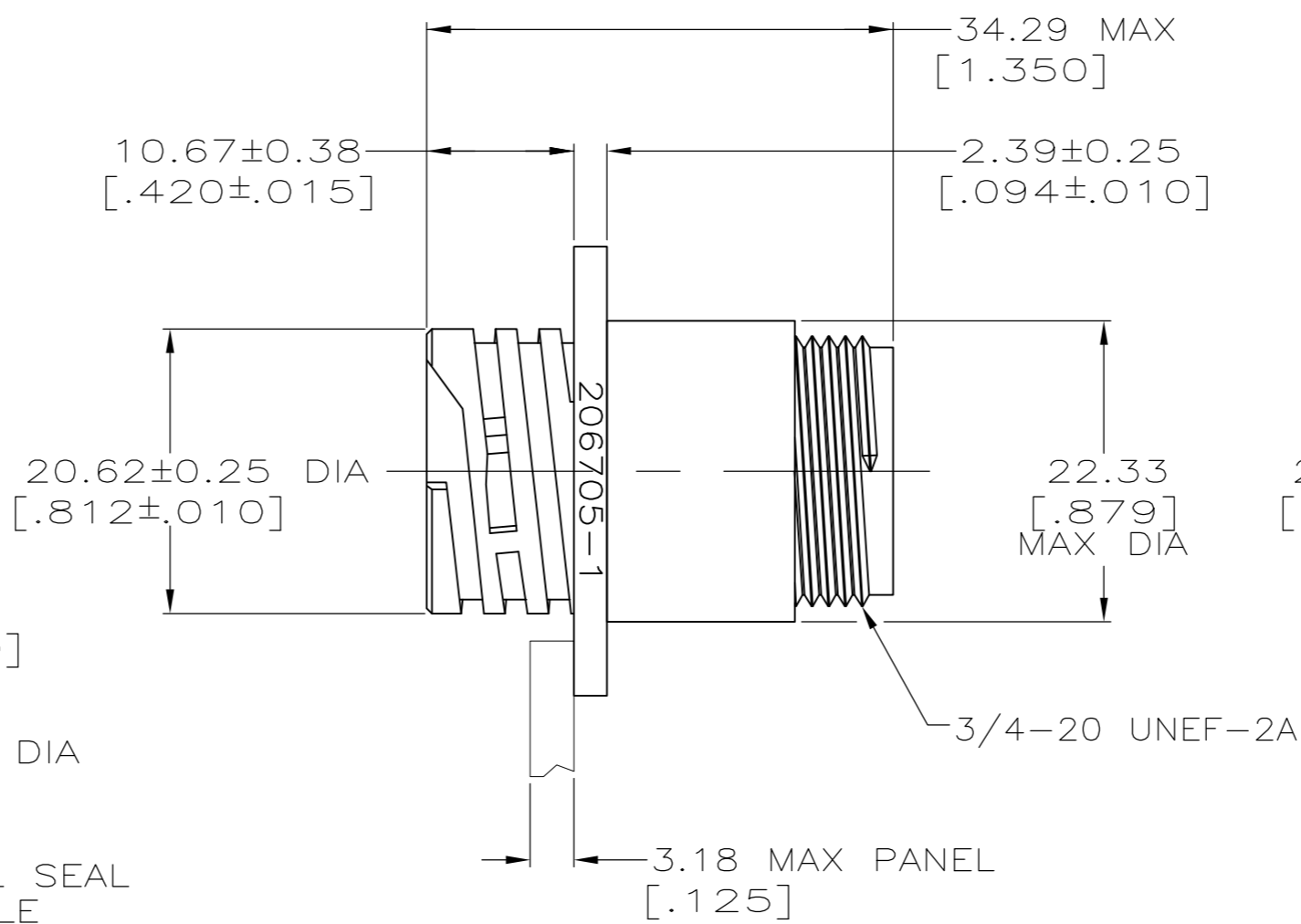
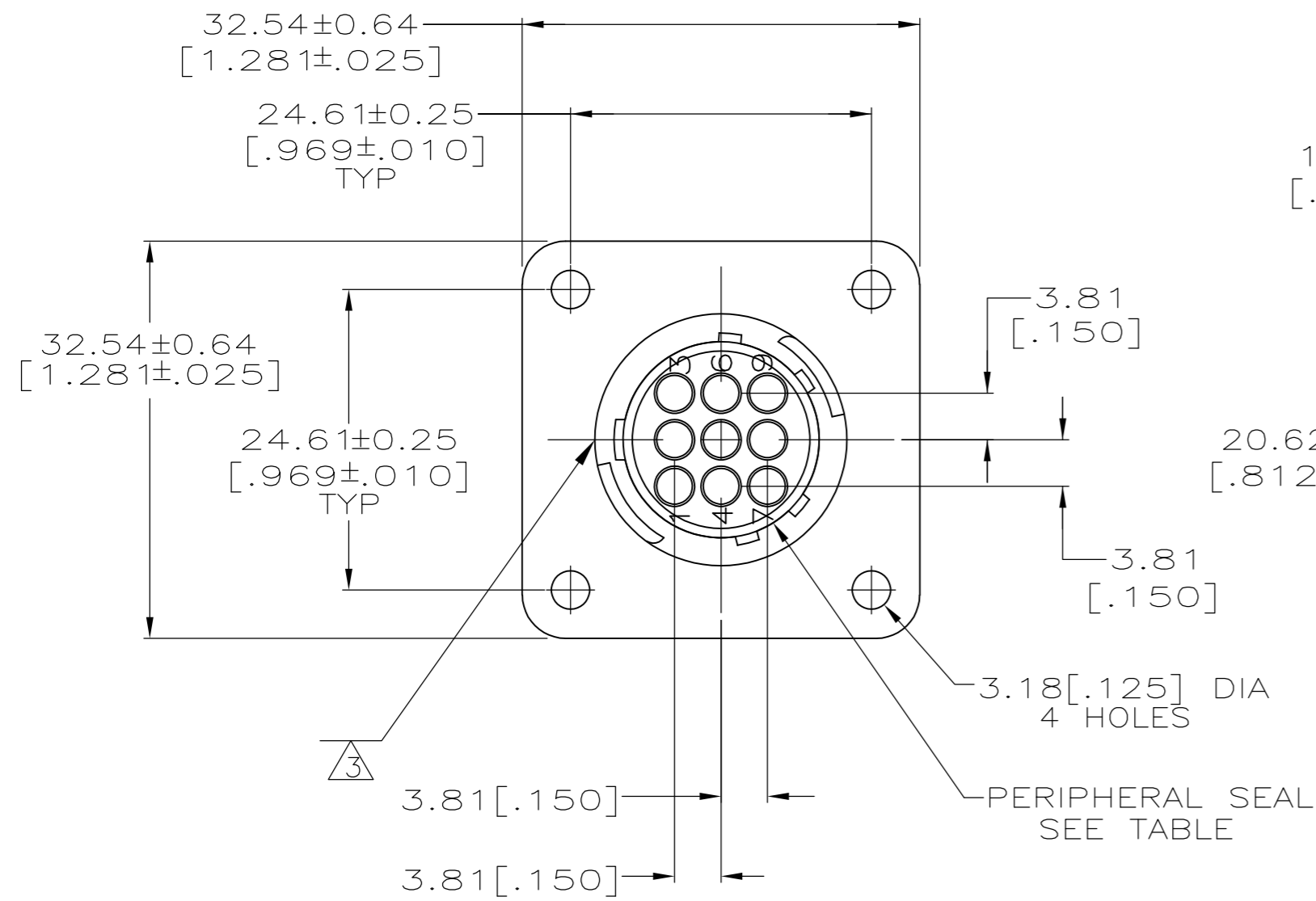
Email & Skype: info@chipsmall.com Web: www.chipsmall.com

Address: A1208, Overseas Decoration Building, #122 Zhenhua RD., Futian, Shenzhen, China



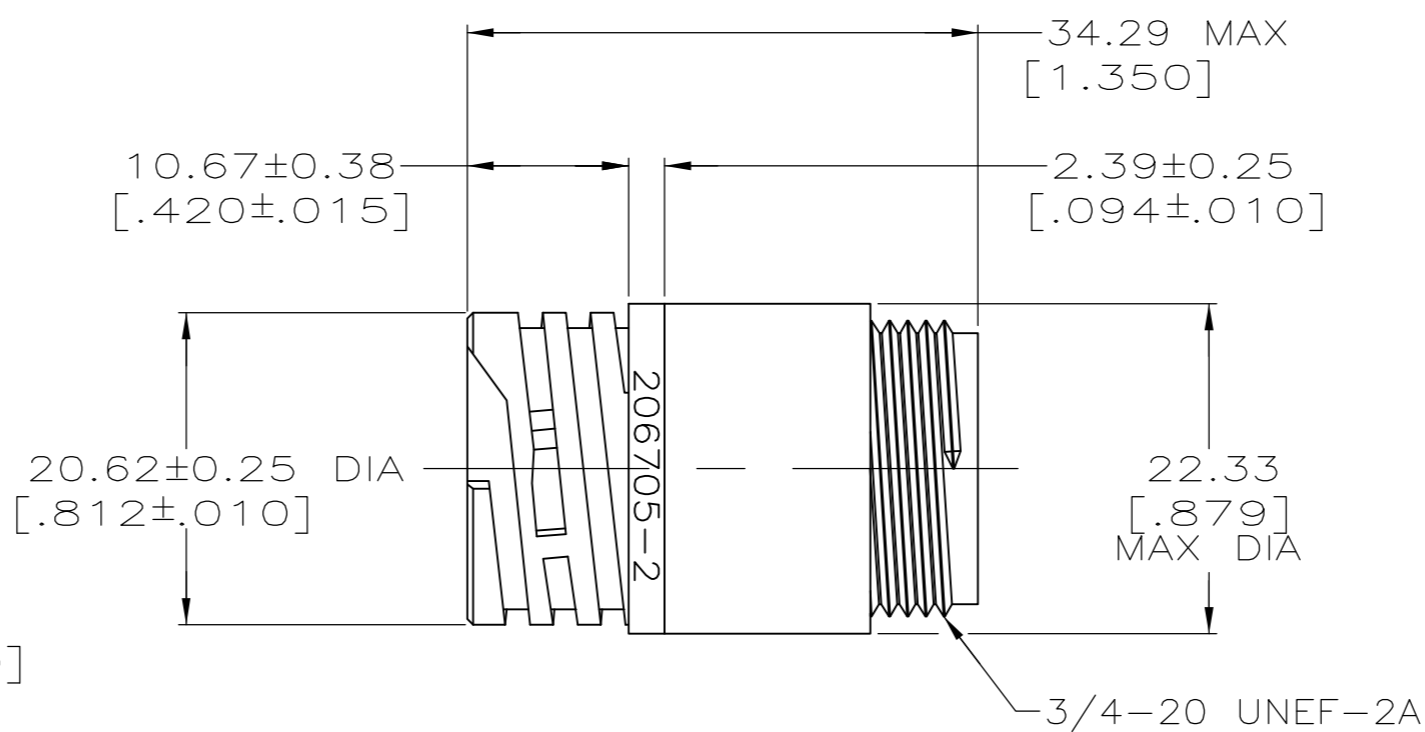
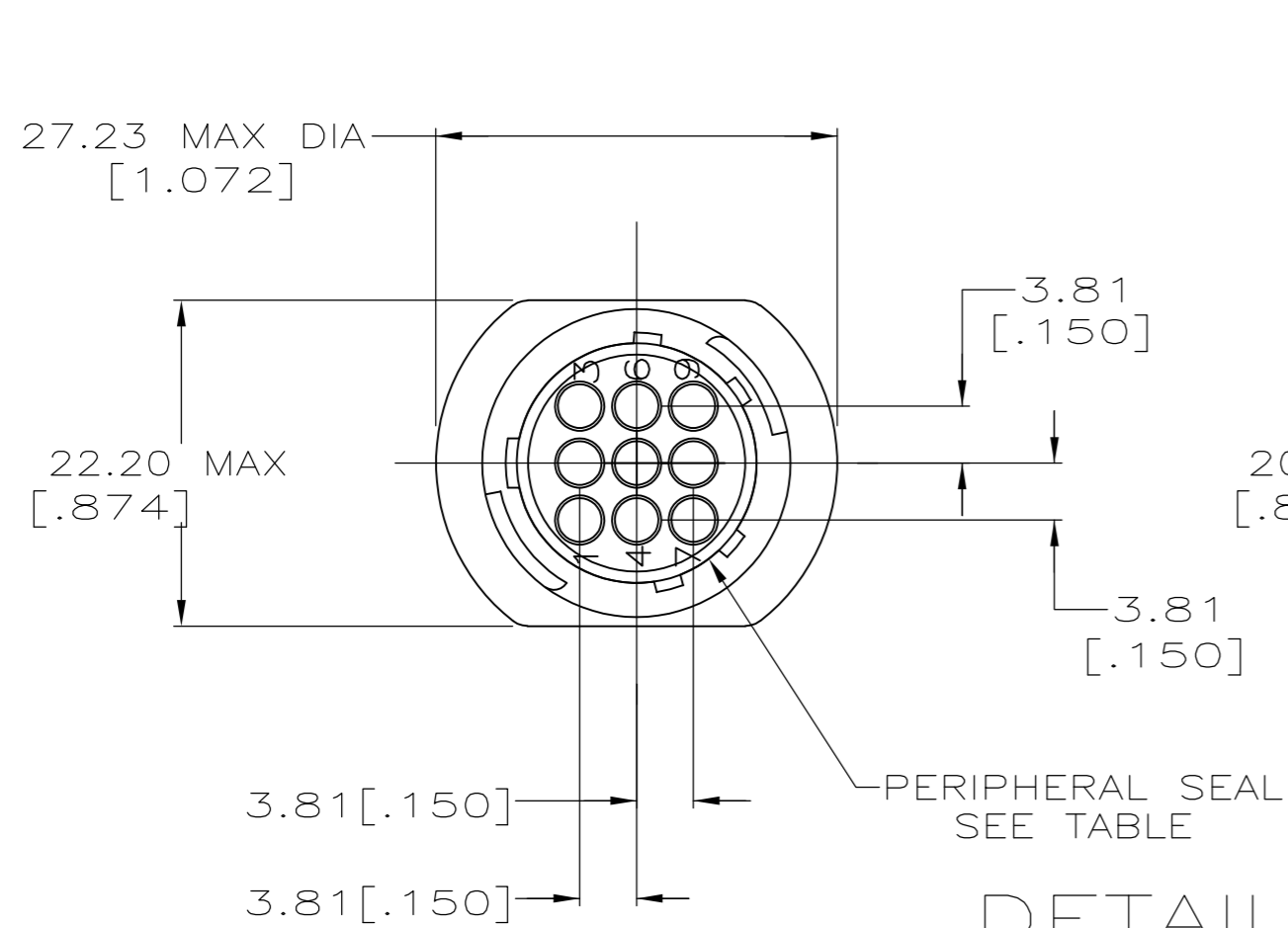
THIS DRAWING IS UNPUBLISHED. RELEASED FOR PUBLICATION
 © COPYRIGHT - By - ALL RIGHTS RESERVED.

LOC		DIST		REVISIONS			
P	LTR	DESCRIPTION		DATE	DWN	APVD	
FT	0	M		REVISED PER ECO-12-015521	28SEP12	KH	MZ



DETAIL A

RECOMMENDED PANEL CUTOUT



DETAIL B

4	3	NO	A	206705-5
-	-	YES	B	206705-4
-	-	YES	A	206705-3
-	-	NO	B	206705-2
-	-	NO	A	206705-1
NOTES	PERIPHERAL SEAL	SEE DETAIL	PART NUMBER	

- 1 CAVITY IDENTIFICATION ON FRONT AND REAR FACE.
- 2 RECEPTACLE WILL ACCEPT NINE (9) MULTIMATE PIN CONTACTS.
- 3 WHITE DOT OVER MAJOR KEY, APPROX WHERE SHOWN.
- 4 PRELIMINARY PART NUMBER.

THIS DRAWING IS A CONTROLLED DOCUMENT.

DWN	D.HARDY	05/19/94		
CHK	R.STONE	05/20/94		
APVD	-	-		
PRODUCT SPEC	108-10024			
APPLICATION SPEC	-			
MATERIAL	NYLON, BLACK	FINISH	-	
WEIGHT	-	SCALE	2:1	
CUSTOMER DRAWING	SIZE	A2	CAGE CODE	00779
	DRAWING NO	C=206705		
	RESTRICTED TO	-		
	SHEET	1	OF 1	
	REV	M		

TE Connectivity
 RECEPTACLE HOUSING, STANDARD
 SEX, SHELL SIZE 13, CPC