



Chipsmall Limited consists of a professional team with an average of over 10 year of expertise in the distribution of electronic components. Based in Hongkong, we have already established firm and mutual-benefit business relationships with customers from,Europe,America and south Asia,supplying obsolete and hard-to-find components to meet their specific needs.

With the principle of "Quality Parts,Customers Priority,Honest Operation,and Considerate Service",our business mainly focus on the distribution of electronic components. Line cards we deal with include Microchip,ALPS,ROHM,Xilinx,Pulse,ON,Everlight and Freescale. Main products comprise IC,Modules,Potentiometer,IC Socket,Relay,Connector.Our parts cover such applications as commercial,industrial, and automotives areas.

We are looking forward to setting up business relationship with you and hope to provide you with the best service and solution. Let us make a better world for our industry!



## Contact us

Tel: +86-755-8981 8866 Fax: +86-755-8427 6832

Email & Skype: info@chipsmall.com Web: www.chipsmall.com

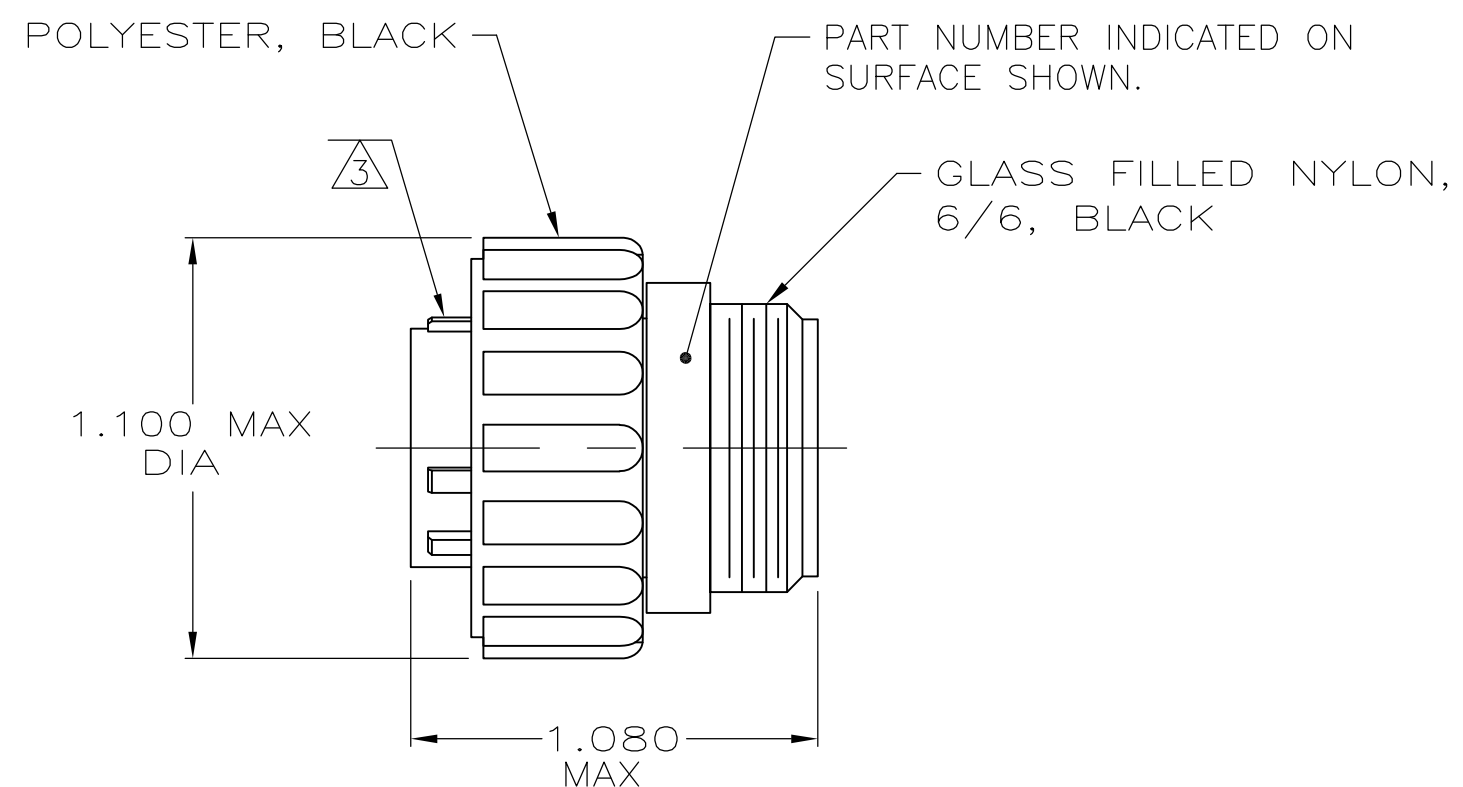
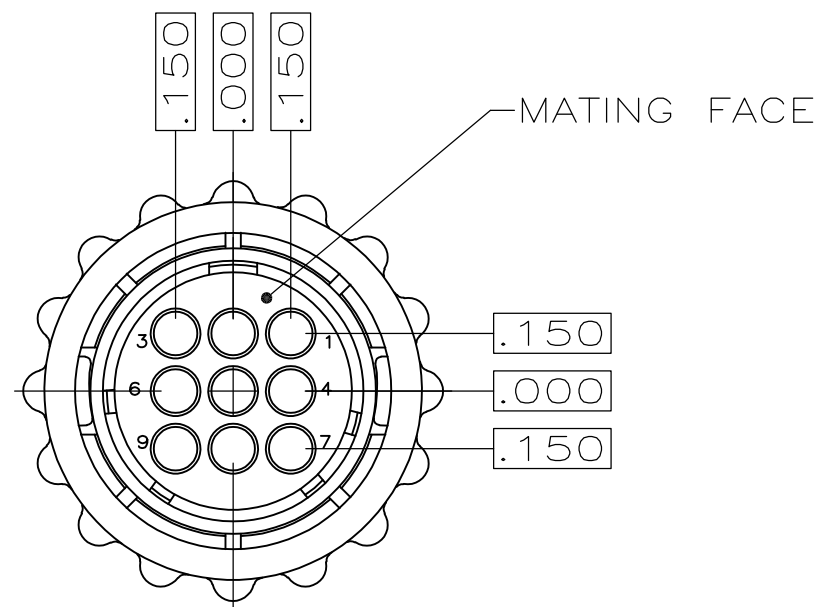
Address: A1208, Overseas Decoration Building, #122 Zhenhua RD., Futian, Shenzhen, China



THIS DRAWING IS UNPUBLISHED. RELEASED FOR PUBLICATION  
 © COPYRIGHT - By - ALL RIGHTS RESERVED.

LOC	DIST	REVISIONS					
FT	0	P	LTR	DESCRIPTION	DATE	DWN	APVD
			K1	REVISED PER ECO-11-004587	11MAR11	RK	HMR

- CONTACT CAVITIES IDENTIFIED BY CHARACTERS ON FRONT AND REAR FACES OF CONNECTOR.
  - THIS PART WILL ACCEPT MULTIMATE SOCKET CONTACTS.
- ③ WHITE DOT OVER MAJOR KEY.  
 ④ PRELIMINARY PART NUMBER.



④	③	STANDARD	206708-3
	-	SMALL PACK	206708-2
	-	STANDARD	206708-1
NOTES		PACKAGING	PART NUMBER

THIS DRAWING IS A CONTROLLED DOCUMENT.		DWN	S.RIDGLEY	BG	7/31/90	<b>STE</b> TE Connectivity	
DIMENSIONS: INCHES		CHK	R.STONE		4-26-91		
TOLERANCES UNLESS OTHERWISE SPECIFIED:		APVD		-		NAME	
0 PLC ± -		PRODUCT SPEC		-		PLUG ASSEMBLY, SHELL SIZE 13, STANDARD SEX, SERIES 1, CPC	
1 PLC ± -		APPLICATION SPEC		-		-	
2 PLC ± -		WEIGHT		-		SIZE	RESTRICTED TO
3 PLC ± -		CUSTOMER DRAWING		A3		CAGE CODE	00779
4 PLC ± -		SCALE		2:1		DRAWING NO	C-206708
ANGLES ± -		SHEET		1 OF 1		REV	K1
FINISH		-		-		-	