



Chipsmall Limited consists of a professional team with an average of over 10 year of expertise in the distribution of electronic components. Based in Hongkong, we have already established firm and mutual-benefit business relationships with customers from,Europe,America and south Asia,supplying obsolete and hard-to-find components to meet their specific needs.

With the principle of "Quality Parts,Customers Priority,Honest Operation,and Considerate Service",our business mainly focus on the distribution of electronic components. Line cards we deal with include Microchip,ALPS,ROHM,Xilinx,Pulse,ON,Everlight and Freescale. Main products comprise IC,Modules,Potentiometer,IC Socket,Relay,Connector.Our parts cover such applications as commercial,industrial, and automotives areas.

We are looking forward to setting up business relationship with you and hope to provide you with the best service and solution. Let us make a better world for our industry!



Contact us

Tel: +86-755-8981 8866 Fax: +86-755-8427 6832

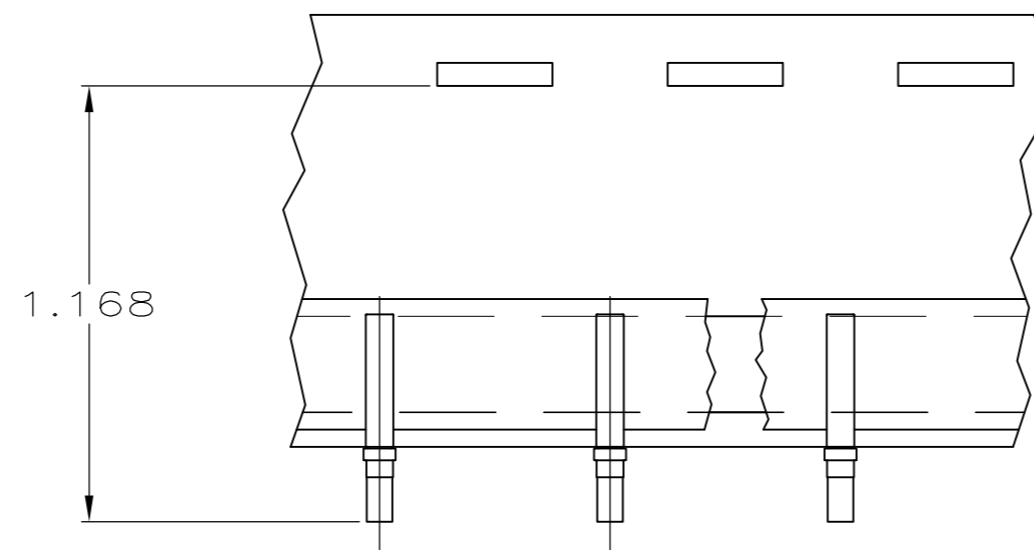
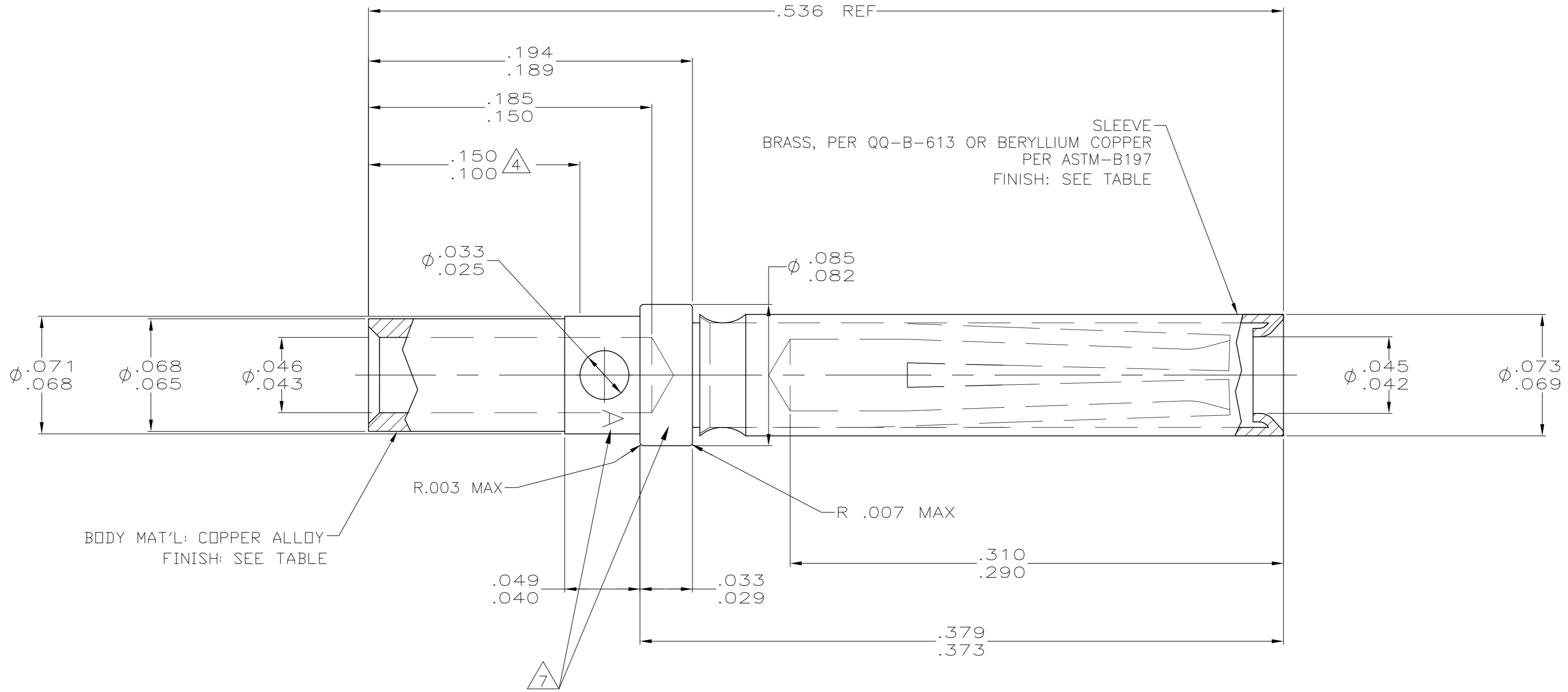
Email & Skype: info@chipsmall.com Web: www.chipsmall.com

Address: A1208, Overseas Decoration Building, #122 Zhenhua RD., Futian, Shenzhen, China



THIS DRAWING IS UNPUBLISHED. RELEASED FOR PUBLICATION
 © COPYRIGHT - By - ALL RIGHTS RESERVED.

LOC	DIST	REVISIONS					
DF	D0	P	LTR	DESCRIPTION	DATE	DWN	APVD
		J1		REVISED PER ECO-11-005030	11MAR11	RK	HMR



- CONTACTS MUST MEET ALL REQUIREMENTS OF GSFC-S-311-P-4/08 AND AS39029.
- ALL DIAMETERS ARE CONCENTRIC WITH EACH OTHER WITHIN .004 T.I.R.
- ALL SURFACES HAVE $\sqrt{63}$ OR BETTER FINISH. POINT OF PLATING THICKNESS MEASUREMENT.
- SLEEVE MAY BE CRIMPED OR DIMPLED TO BODY.
- ~~MINIMUM SEPERATION FORCE OF 7 OZ USING A .039 PIN AND 4 OZ MAX ENGAGEMENT FORCE USING A .041 PIN.~~
- OPTIONAL LOCATION FOR STAMPED LETTER "A"
- PLATING: GOLD PER ASTM-B-488 (TYPEII) OVER COPPER PER MIL-C-14550, CLASS 4.
- PLATING: GOLD PER ASTM-B-488 (TYPEII) OVER NICKEL PER QQ-N-290.

	9	AS SHOWN	206793-4
OBSOLETE	8	SAME AS -1 EXCEPT 6	206793-3
	8	SAME AS -1 EXCEPT TAPE MOUNTED 5,000 CONTACTS PER REEL	206793-2
	8	AS SHOWN	206793-1
FINISH		DESCRIPTION	PART NO

DIMENSIONS:		TOLERANCES UNLESS OTHERWISE SPECIFIED:		DWN		TE Connectivity	
INCHES		0 PLC	± -	C.C.THOMAS	11-20-02	SOCKET CONTACT ASSY, SIZE 20, AMPLIMITE	
		1 PLC	± -	CHK	D.MILLER	11-20-02	
		2 PLC	± -	APVD	D.MILLER	11-20-02	
		3 PLC	± -	PRODUCT SPEC			
		4 PLC	± -	APPLICATION SPEC			
		ANGLES	± -	WEIGHT	-	SIZE	CAGE CODE
MATERIAL		FINISH	-	CUSTOMER DRAWING		A2	00779
SEE CALLOUT				SCALE	20:1	DRAWING NO	C=206793
				SHEET	1 of 1	RESTRICTED TO	
				REV	J1		