



Chipsmall Limited consists of a professional team with an average of over 10 year of expertise in the distribution of electronic components. Based in Hongkong, we have already established firm and mutual-benefit business relationships with customers from,Europe,America and south Asia,supplying obsolete and hard-to-find components to meet their specific needs.

With the principle of “Quality Parts,Customers Priority,Honest Operation,and Considerate Service”,our business mainly focus on the distribution of electronic components. Line cards we deal with include Microchip,ALPS,ROHM,Xilinx,Pulse,ON,Everlight and Freescale. Main products comprise IC,Modules,Potentiometer,IC Socket,Relay,Connector.Our parts cover such applications as commercial,industrial, and automotives areas.

We are looking forward to setting up business relationship with you and hope to provide you with the best service and solution. Let us make a better world for our industry!



Contact us

Tel: +86-755-8981 8866 Fax: +86-755-8427 6832

Email & Skype: info@chipsmall.com Web: www.chipsmall.com

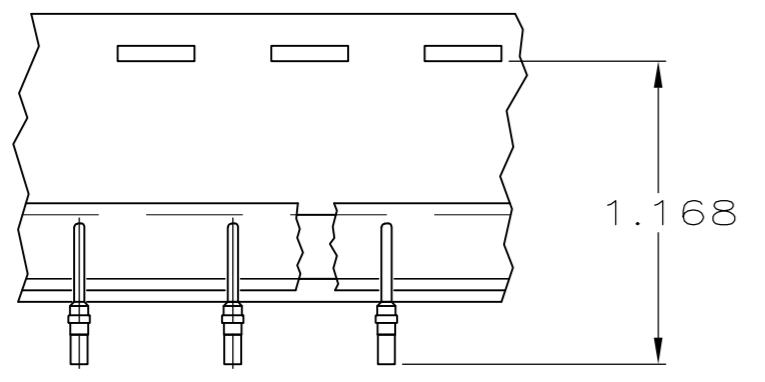
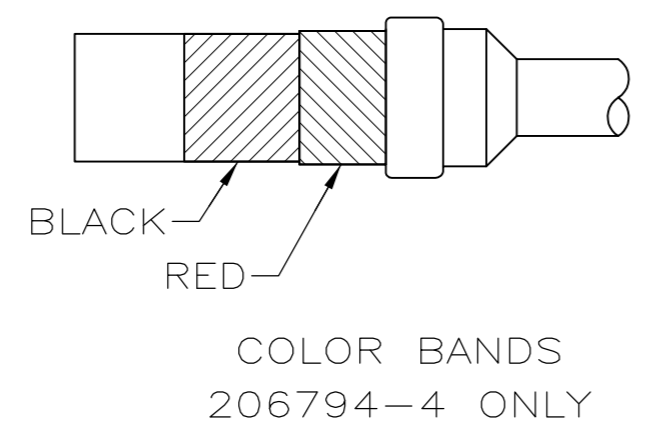
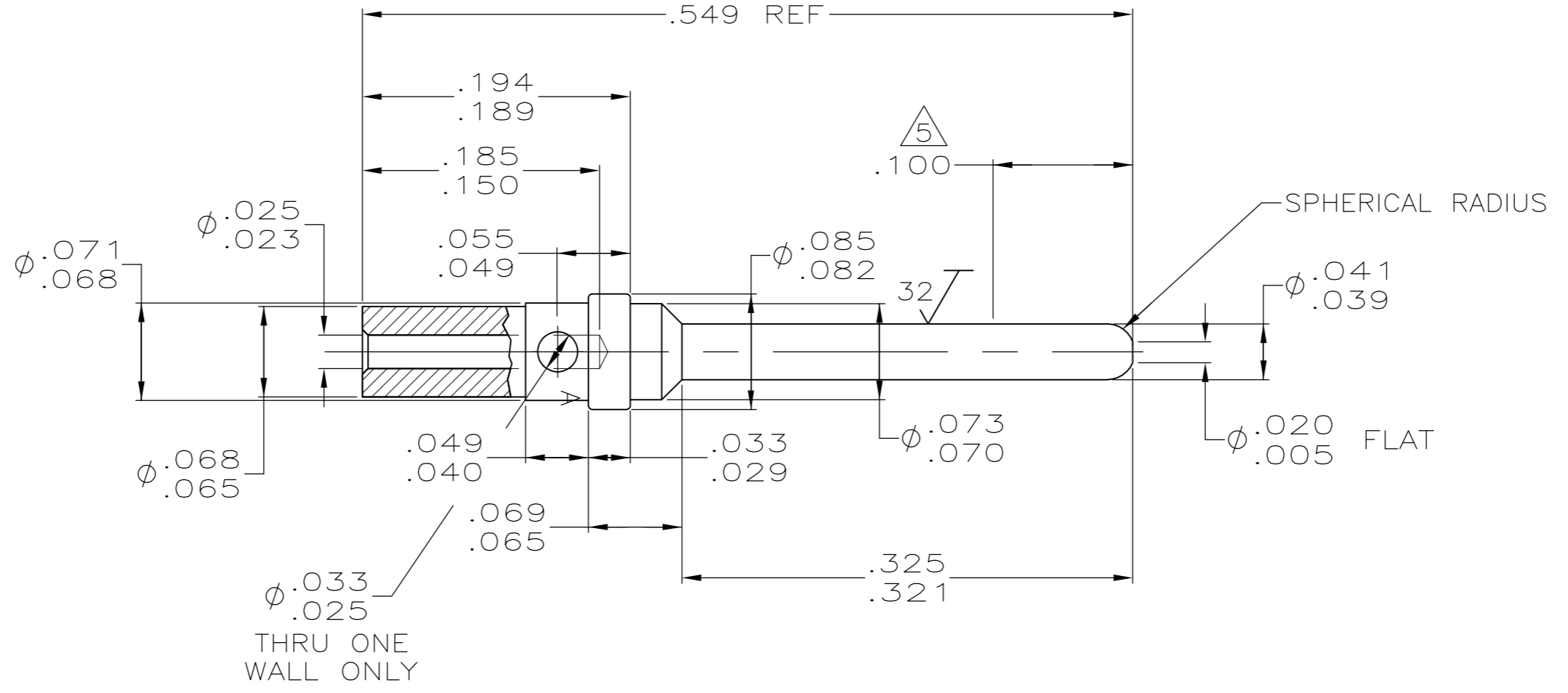
Address: A1208, Overseas Decoration Building, #122 Zhenhua RD., Futian, Shenzhen, China



THIS DRAWING IS UNPUBLISHED. RELEASED FOR PUBLICATION
 © COPYRIGHT - By - ALL RIGHTS RESERVED.

LOC		DIST		REVISIONS			
P	LTR	DESCRIPTION		DATE	DWN	APVD	
DF	DO	G1	REVISED PER ECO-11-005030	11MAR11	RK	HMR	

1. ALL DIMENSIONS APPLY AFTER PLATING.
 2. THIS PART COMPLIES WITH SPEC. MIL-C-24308/11, EXCEPT WIRE BARREL.
 3. ALL DIAMETERS CONCENTRIC WITH EACH OTHER WITHIN .004 T.I.R.
 4. ALL SURFACES HAVE $\sqrt{63}$ FINISH OR BETTER UNLESS OTHERWISE NOTED.
- $\triangle 5$ POINT OF PLATING MEASUREMENT.
 $\triangle 6$ FINISH: PLATED GOLD PER MIL-G-45204 OVER COPPER PER MIL-C-14550.



TAPE MOUNTED
 206794-3 ONLY
 SCALE: NTS

SUPERSEDED BY 206794-3	TAPE MOUNTED	-	206794-4	206794-5
	COLOR CODED	-	206794-2	206794-4
	TAPE MOUNTED	-	206794-2	206794-3
	AS SHOWN	$\triangle 6$	COPPER ALLOY #187	206794-2
REMARKS	FINISH	MATERIAL	PART NUMBER	

THIS DRAWING IS A CONTROLLED DOCUMENT.		DWN	C.C.THOMAS	7/24/00		TE Connectivity		
DIMENSIONS: INCHES		CHK	R.GROSS	9-5-00		NAME		
TOLERANCES UNLESS OTHERWISE SPECIFIED:		APVD	R.GROSS	9-5-00		PIN CONTACT, SIZE 20 (FOR #26 & #28 AWG WIRE)		
0 PLC ± - 1 PLC ± - 2 PLC ± - 3 PLC ± .025 4 PLC ± - ANGLES ± 2° FINISH SEE TABLE		PRODUCT SPEC	APPLICATION SPEC			SIZE	CAGE CODE	DRAWING NO
MATERIAL	COPPER ALLOY NO. 187	WEIGHT	-	A2	00779	C=206794	RESTRICTED TO	
CUSTOMER DRAWING		SCALE	10:1	SHEET	1 of 1	REV	G1	