



Chipsmall Limited consists of a professional team with an average of over 10 year of expertise in the distribution of electronic components. Based in Hongkong, we have already established firm and mutual-benefit business relationships with customers from,Europe,America and south Asia,supplying obsolete and hard-to-find components to meet their specific needs.

With the principle of “Quality Parts,Customers Priority,Honest Operation,and Considerate Service”,our business mainly focus on the distribution of electronic components. Line cards we deal with include Microchip,ALPS,ROHM,Xilinx,Pulse,ON,Everlight and Freescale. Main products comprise IC,Modules,Potentiometer,IC Socket,Relay,Connector.Our parts cover such applications as commercial,industrial, and automotives areas.

We are looking forward to setting up business relationship with you and hope to provide you with the best service and solution. Let us make a better world for our industry!



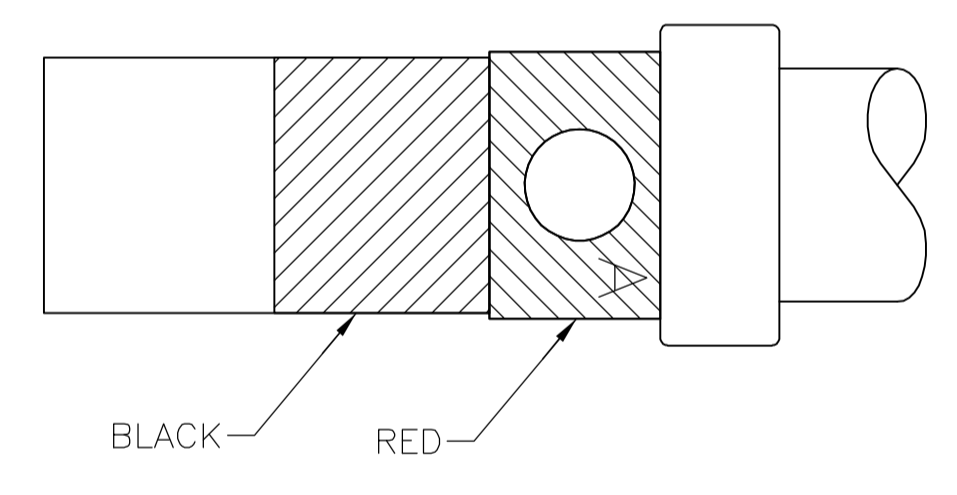
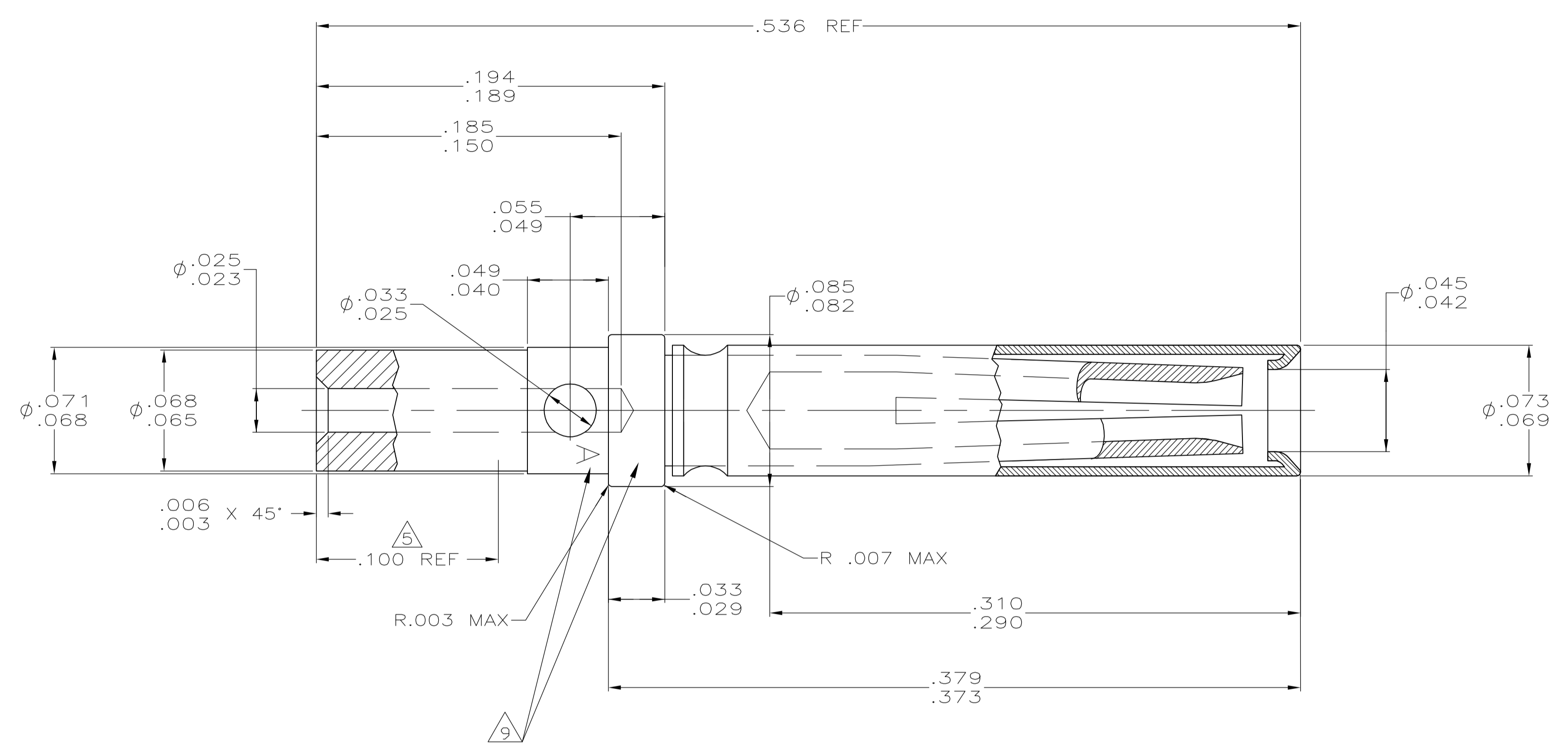
Contact us

Tel: +86-755-8981 8866 Fax: +86-755-8427 6832

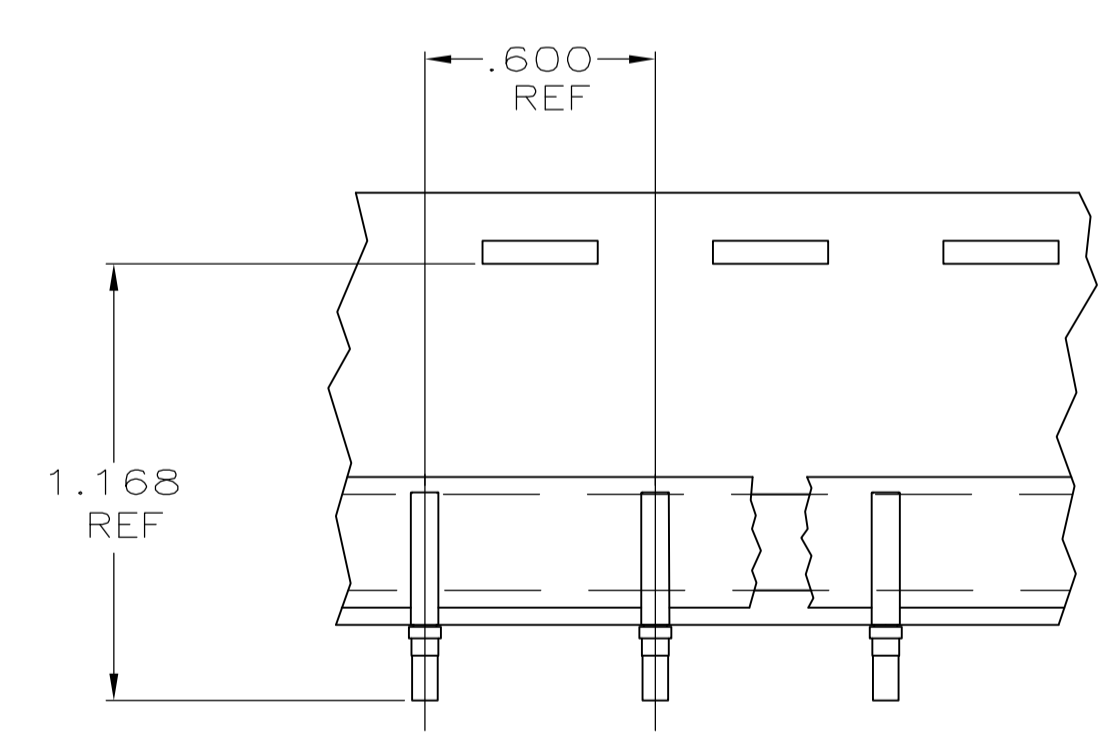
Email & Skype: info@chipsmall.com Web: www.chipsmall.com

Address: A1208, Overseas Decoration Building, #122 Zhenhua RD., Futian, Shenzhen, China





COLOR BANDS
 PART NO 206795-3 ONLY



TAPE MOUNTED
 PART NO 206795-2 ONLY
 SCALE 2:1

1. ALL DIMENSIONS APPLY AFTER PLATING.
2. THIS CONTACT COMPLIES WITH MIL-C-24308/10, EXCEPT WIRE BARREL.
3. ALL DIAMETERS CONCENTRIC WITH EACH OTHER WITHIN .004 T.I.R.
4. ALL SURFACES HAVE $\sqrt[63]{}$ FINISH OR BETTER UNLESS OTHERWISE SPECIFIED.
5. POINT OF PLATING MEASUREMENT .100 FROM WIRE BARREL END OF CONTACT.
6. SLEEVE MAY BE CRIMPED OR DIMPLED ON TO CONTACT BODY.
7. OPTIONAL LOCATION FOR STAMPED LETTER "A"

SUPERSEDED BY -2	SAME AS -3 EXCEPT TAPE MOUNTED	206795-4
	SAME AS -1 EXCEPT COLOR COATED	206795-3
	SAME AS -1 EXCEPT TAPE MOUNTED	206795-2
	AS SHOWN	206795-1
	DESCRIPTION	PART NUMBER

THIS DRAWING IS A CONTROLLED DOCUMENT.		DWG C.C.THOMAS 1-17-03	Tyco Electronics Corporation Harrisburg, PA 17105-3608
DIMENSIONS: INCHES		CHK D.MILLER 1-17-03	
TOLERANCES UNLESS OTHERWISE SPECIFIED:		APP'D D.MILLER 1-17-03	NAME D.MILLER
0 PLC ± -		PRODUCT SPEC	SOCKET CONTACT ASSY, SIZE 20 (FOR #26 & #28 WIRE)
1 PLC ± -		APPLICATION SPEC	
2 PLC ± -		SIZE	A1
3 PLC ± -		WEIGHT	00779
4 PLC ± -		SCALE	20:1
ANGLES ± °		SHEET	1 OF 1
FINISH SEE CALOUT	SEE CALOUT	REV	F