



Chipsmall Limited consists of a professional team with an average of over 10 year of expertise in the distribution of electronic components. Based in Hongkong, we have already established firm and mutual-benefit business relationships with customers from,Europe,America and south Asia,supplying obsolete and hard-to-find components to meet their specific needs.

With the principle of “Quality Parts,Customers Priority,Honest Operation,and Considerate Service”,our business mainly focus on the distribution of electronic components. Line cards we deal with include Microchip,ALPS,ROHM,Xilinx,Pulse,ON,Everlight and Freescale. Main products comprise IC,Modules,Potentiometer,IC Socket,Relay,Connector.Our parts cover such applications as commercial,industrial, and automotives areas.

We are looking forward to setting up business relationship with you and hope to provide you with the best service and solution. Let us make a better world for our industry!



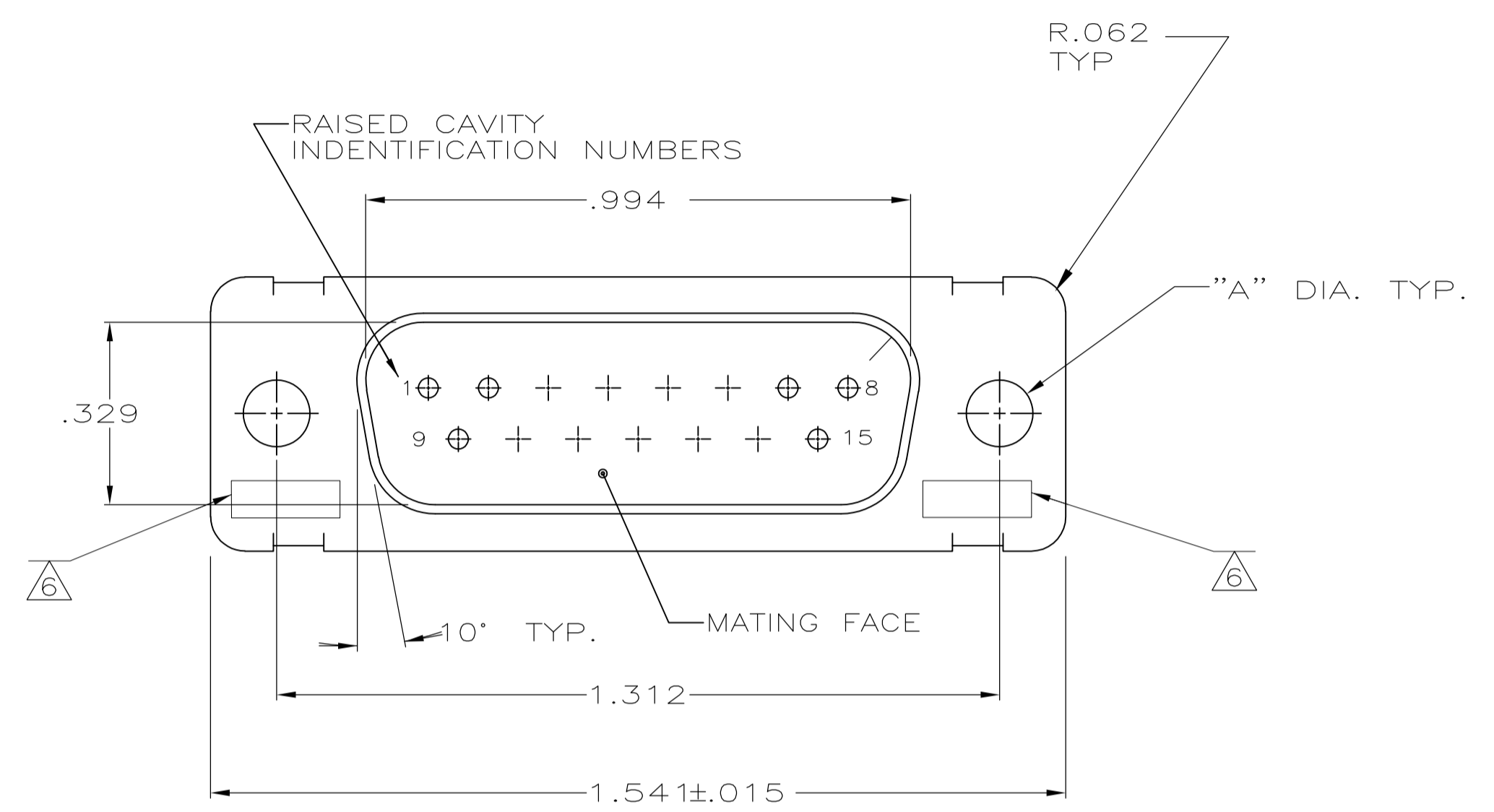
Contact us

Tel: +86-755-8981 8866 Fax: +86-755-8427 6832

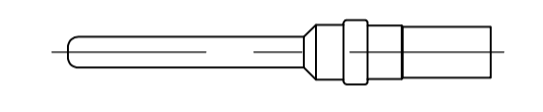
Email & Skype: info@chipsmall.com Web: www.chipsmall.com

Address: A1208, Overseas Decoration Building, #122 Zhenhua RD., Futian, Shenzhen, China

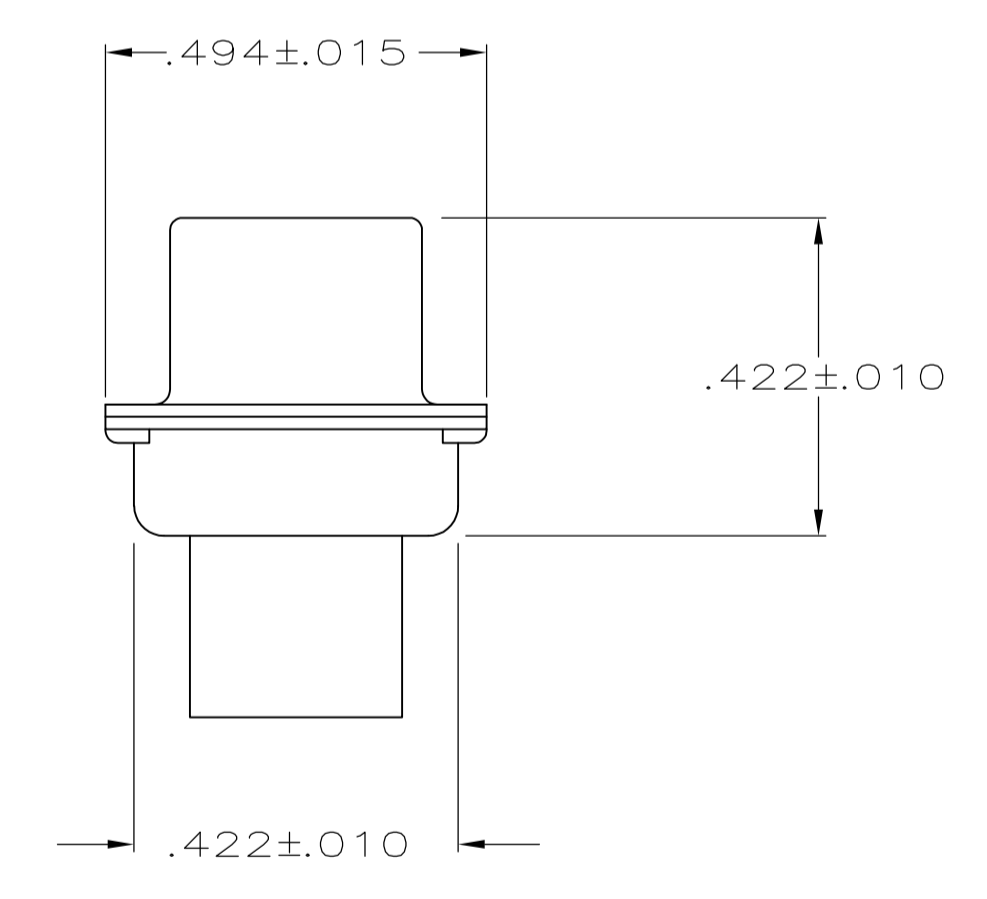
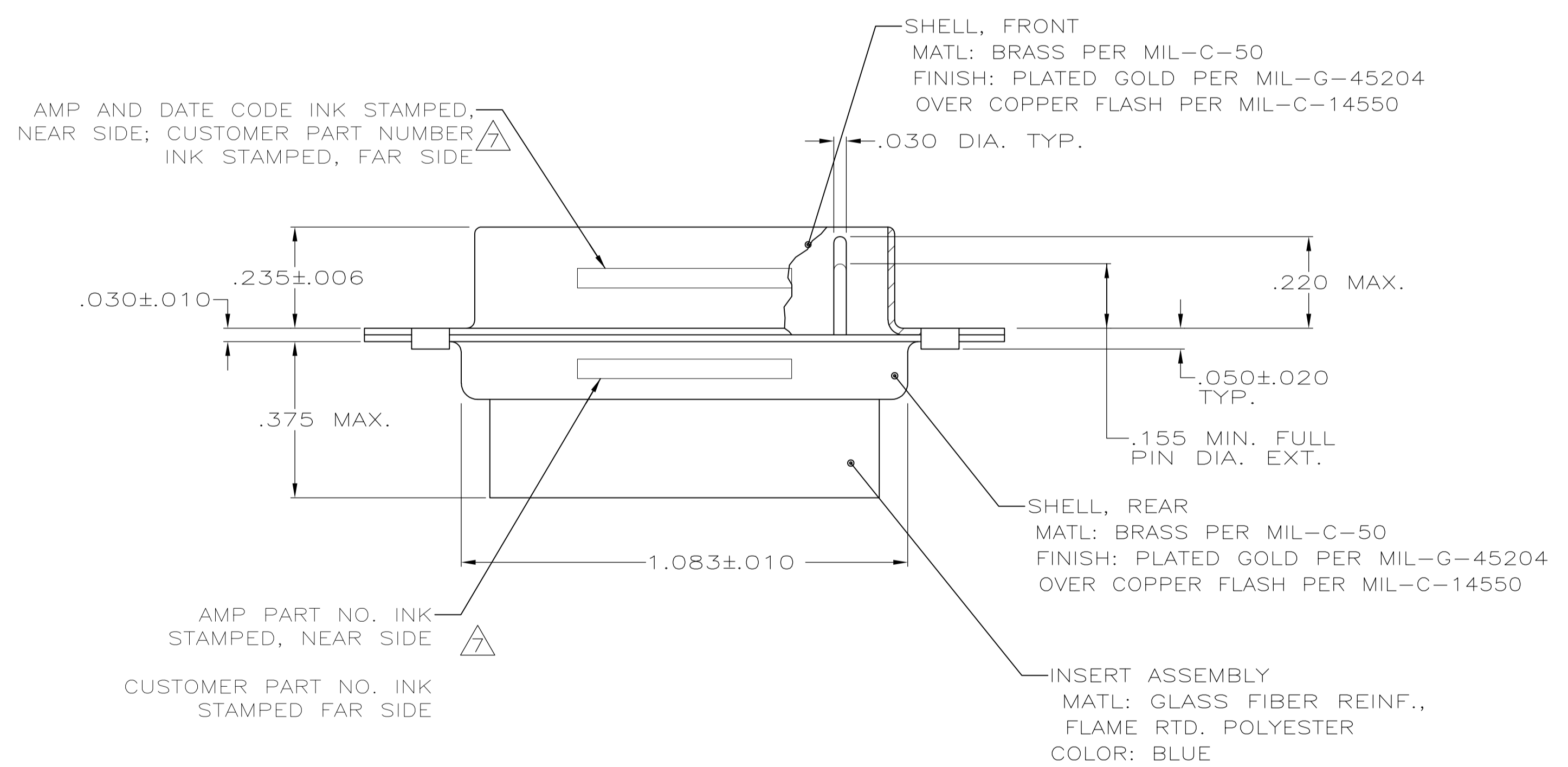




- △ THIS PLUG WILL MATE WITH ANY RECEPTACLE CONNECTOR WITH THE SAME INSERT ARRANGEMENT AS DEFINED BY MS18274-1.
- 2. MAXIMUM WIRE INSULATION TO BE USED WITH THIS PLUG IS .072 [1.83] DIA.
- 3. BERYLLIUM COPPER RETENTION CLIPS (15) ARE INCLUDED IN INSERT ASSEMBLY.
- 4. CONNECTOR SUPPLIED WITHOUT CONTACTS; SHOWN FOR ILLUSTRATION ONLY.
- △ THESE CONNECTORS ARE QUALIFIED TO GODDARD SPACE FLIGHT CENTER SPECIFICATION S-311-P-4.
- △ UL/CSA DESIGNATION STAMPED IN THIS AREA, OPTIONAL.
- △ CUSTOMER PART NUMBER MAY BE SPLIT BETWEEN FRONT AND REAR SHELL, SAME SIDE. FAR SIDE REFERS TO WIDE SIDE OF KEYSTONE, NEAR SIDE REFERS TO NARROW SIDE OF KEYSTONE.
- △ RESTRICTED TO CAE ELECTRONICS ONLY.
- △ CONTACTS FOR 206798-8 ARE UNASSEMBLED.



CONTACT P/N 205089-1
 (MIL-39029/64-369) △
 (SUPPLIED WITH 206798-8 ONLY)
 QTY = 15



OBSOLETE	△ △	.120	570513-7	206798-9	206798-9
	△ △	.120	B41-P10009-0013	206798-8	206798-8
	△ △	.120	311P409-2P-B-12	206798-2	206798-7
		.120	122137P15P	206798-6	206798-6
		.120	2A014-002V-001	206798-4	206798-4
		.154	-	206798-3	206798-3
	△	.120	311P409-2P-B-12	206798-2	206798-2
	△	.154	311P409-2P-B-15	206798-1	206798-1
REMARKS		DIA A	INK STAMPED CUSTOMER P/N	INK STAMPED AMP P/N	ASSEMBLY NUMBER

THIS DRAWING IS A CONTROLLED DOCUMENT.

DIMENSIONS: INCHES	TOLERANCES UNLESS OTHERWISE SPECIFIED:	DIN T. WIEST 12-9-88	Tyco Electronics Corporation Harrisburg, PA 17105-3608
0. PLC ± -	1. PLC ± -	12-11-88	
2. PLC ± -	3. PLC ± .005	APVD	NAME
4. PLC ± -	ANGLES ± -	PRODUCT SPEC	PLUG FOR PIN CONTACTS SERIES 109, SIZE 2 15 POSITION
MATERIAL SEE CALLOUTS	FINISH SEE CALLOUTS	WEIGHT	SIZE CAGE CODE DRAWING NO. RESTRICTED TO
			A1 00779 C=206798
CUSTOMER DRAWING		SCALE 4:1	SHEET 1 OF 1 REV M