



Chipsmall Limited consists of a professional team with an average of over 10 year of expertise in the distribution of electronic components. Based in Hongkong, we have already established firm and mutual-benefit business relationships with customers from,Europe,America and south Asia,supplying obsolete and hard-to-find components to meet their specific needs.

With the principle of "Quality Parts,Customers Priority,Honest Operation,and Considerate Service",our business mainly focus on the distribution of electronic components. Line cards we deal with include Microchip,ALPS,ROHM,Xilinx,Pulse,ON,Everlight and Freescale. Main products comprise IC,Modules,Potentiometer,IC Socket,Relay,Connector.Our parts cover such applications as commercial,industrial, and automotives areas.

We are looking forward to setting up business relationship with you and hope to provide you with the best service and solution. Let us make a better world for our industry!



## Contact us

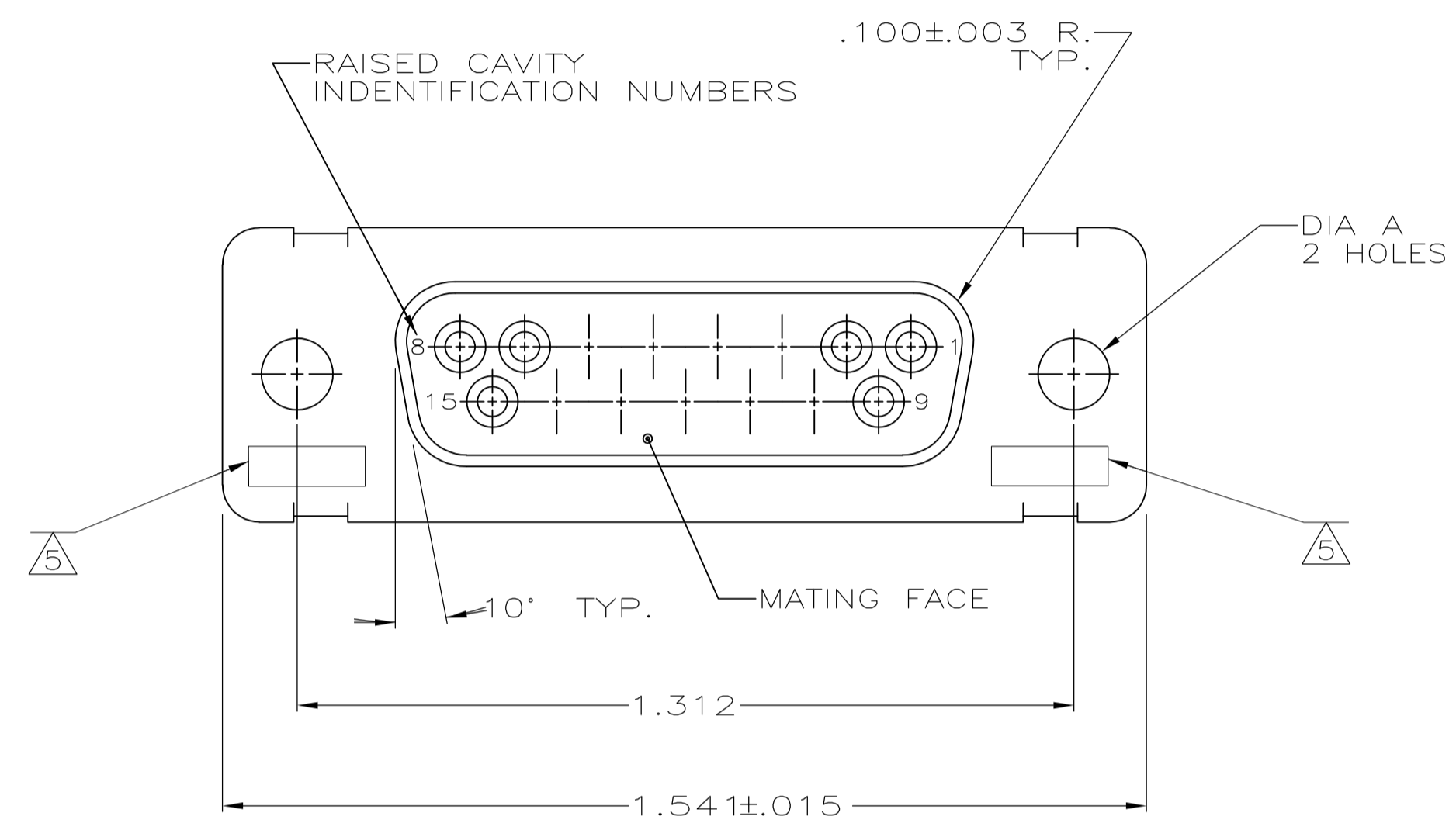
Tel: +86-755-8981 8866 Fax: +86-755-8427 6832

Email & Skype: info@chipsmall.com Web: www.chipsmall.com

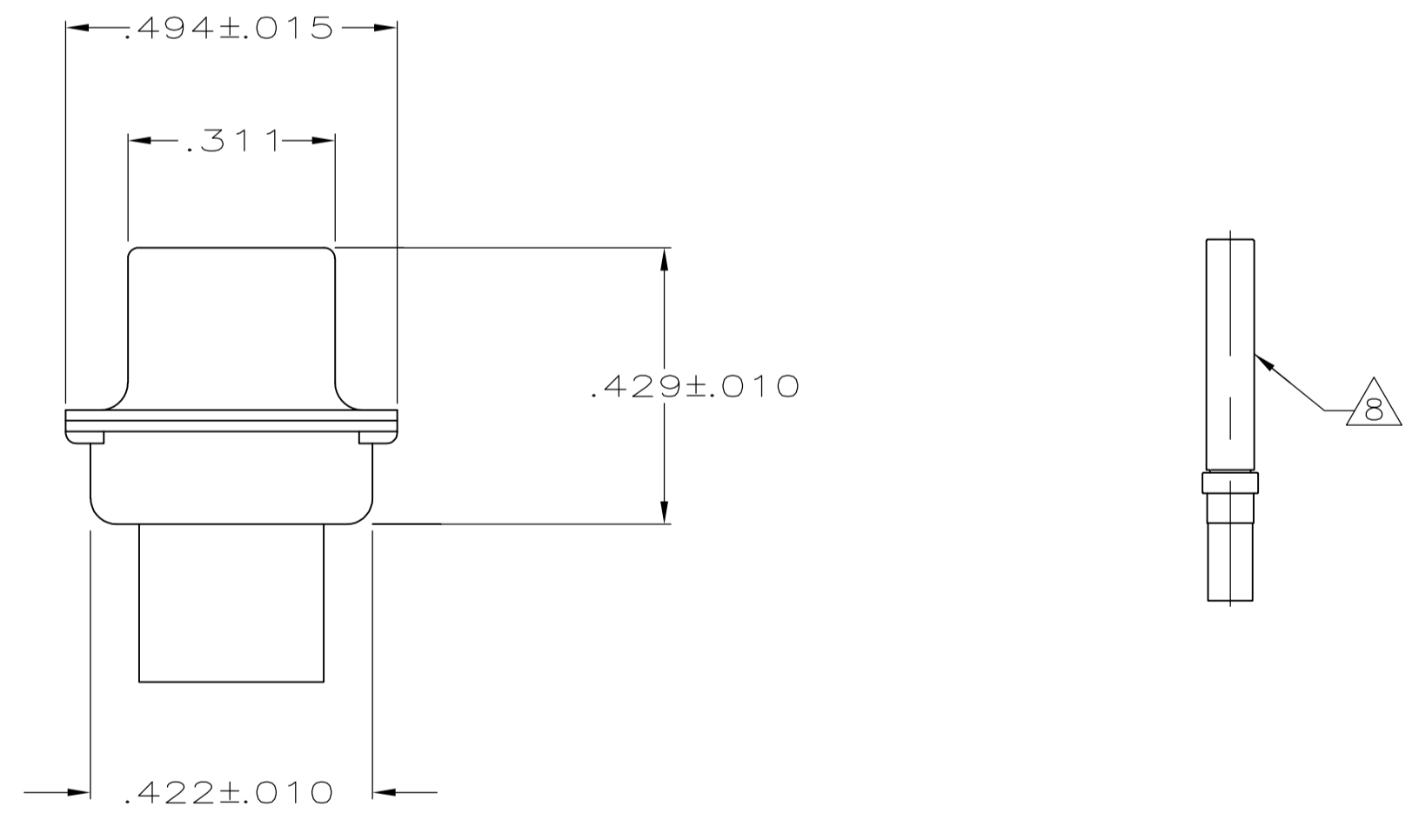
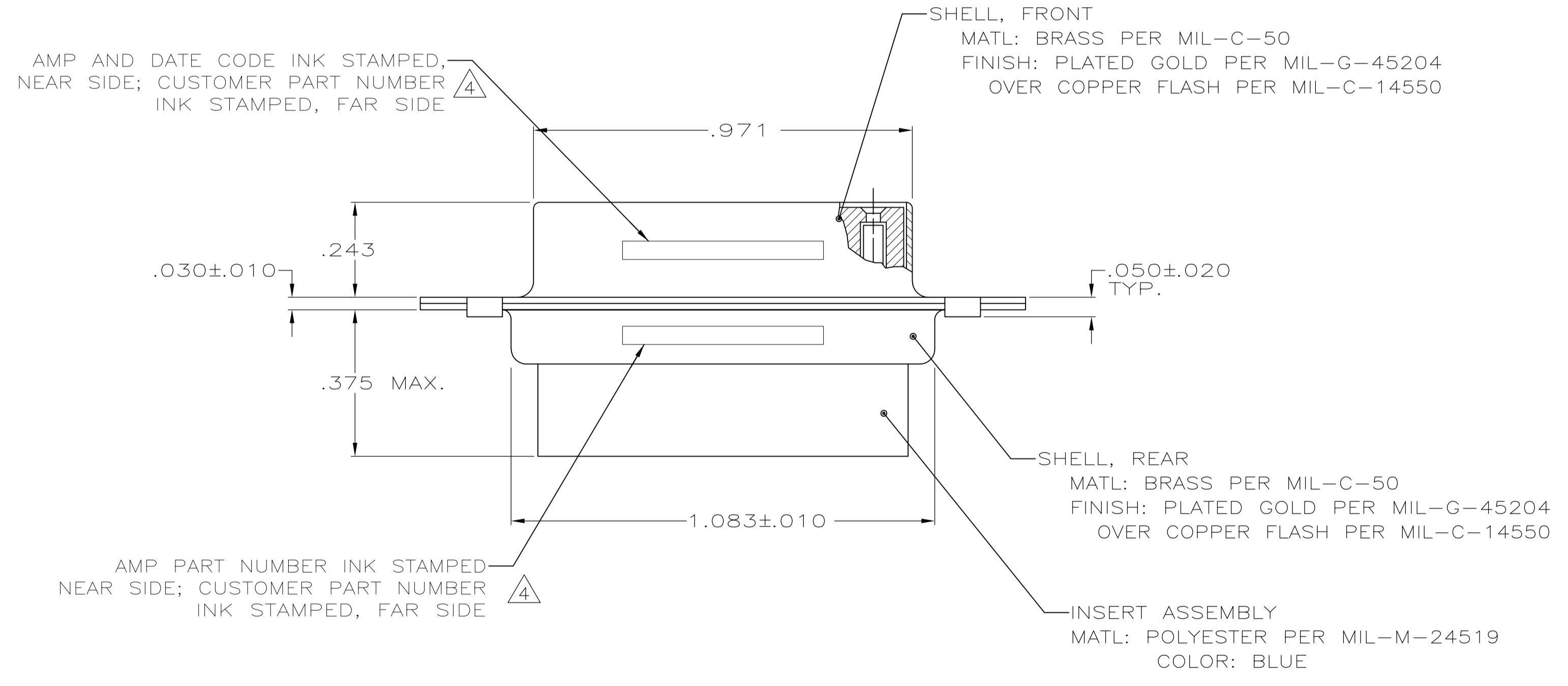
Address: A1208, Overseas Decoration Building, #122 Zhenhua RD., Futian, Shenzhen, China



LOC		DIST		REVISIONS			
P	LTR	DESCRIPTION	DATE	DNW	APVD		
M		REV PER ECO 11-017711	10-18-11	CT	RL		



- 1 THIS RECEPTACLE WILL MATE WITH ANY PLUG CONNECTOR WITH THE SAME INSERT ARRANGEMENT AS DEFINED BY MS18274-1.
2. MAXIMUM WIRE INSULATION USED WITH THIS RCPT. IS .072 DIA. MAX.
3. Be-Cu RETENTION CLIPS ARE INCLUDED IN INSERTS.
- 4 CUSTOMER PART NUMBER MAY BE SPLIT BETWEEN FRONT AND REAR SHELLS, SAME SIDE. FAR SIDE REFERS TO WIDE SIDE OF KEYSTONE, NEAR SIDE REFERS TO NARROW SIDE OF KEYSTONE.
- 5 UL/CSA DESIGNATION STAMPED IN THIS AREA.
- 6 THESE CONNECTORS ARE QUALIFIED TO GODDARD SPACE FLIGHT CENTER SPECIFICATION S-311-P-4.
- 7 RESTRICTED TO CAE ELECTRONICS ONLY.
- 8 CONNECTOR SUPPLIED WITH CONTACTS, AMP PART NUMBER 206793-1; (NOT INSTALLED).



8	.120	570513-2	206799-7	206799-7
8	.120	LMSC 1621480-002	206799-6	206799-6
8	.120	LMSC 1621480-002	206799-5	206799-5
6/7	.120	311P409-2S-B-12	206799-2	206799-4
	.154		206799-3	206799-3
	.120	311P409-2S-B-12	206799-2	206799-2
6	.154	311P409-2S-B-15	206799-1	206799-1
REMARKS	DIA A	MARKED CUSTOMER P/N	MARKED AMP P/N	AMP P/N

THIS DRAWING IS A CONTROLLED DOCUMENT. DIM: M. CLOUSER 12-19-88. CHK: T. CANTLIN 12-19-88. APVD: NAME: RECEIPTACLE FOR SOCKET CONTACTS. PRODUCT SPEC: SIZE #2 (15 POS.) NON-MAGNETIC. APPLICATION SPEC: SIZE: A1. CAGE CODE: 00779. DRAWING NO: 206799. WEIGHT: CUSTOMER DRAWING. SCALE: 4:1. SHEET: 1 OF 1. REV: M.