



Chipsmall Limited consists of a professional team with an average of over 10 year of expertise in the distribution of electronic components. Based in Hongkong, we have already established firm and mutual-benefit business relationships with customers from,Europe,America and south Asia,supplying obsolete and hard-to-find components to meet their specific needs.

With the principle of “Quality Parts,Customers Priority,Honest Operation,and Considerate Service”,our business mainly focus on the distribution of electronic components. Line cards we deal with include Microchip,ALPS,ROHM,Xilinx,Pulse,ON,Everlight and Freescale. Main products comprise IC,Modules,Potentiometer,IC Socket,Relay,Connector.Our parts cover such applications as commercial,industrial, and automotives areas.

We are looking forward to setting up business relationship with you and hope to provide you with the best service and solution. Let us make a better world for our industry!



Contact us

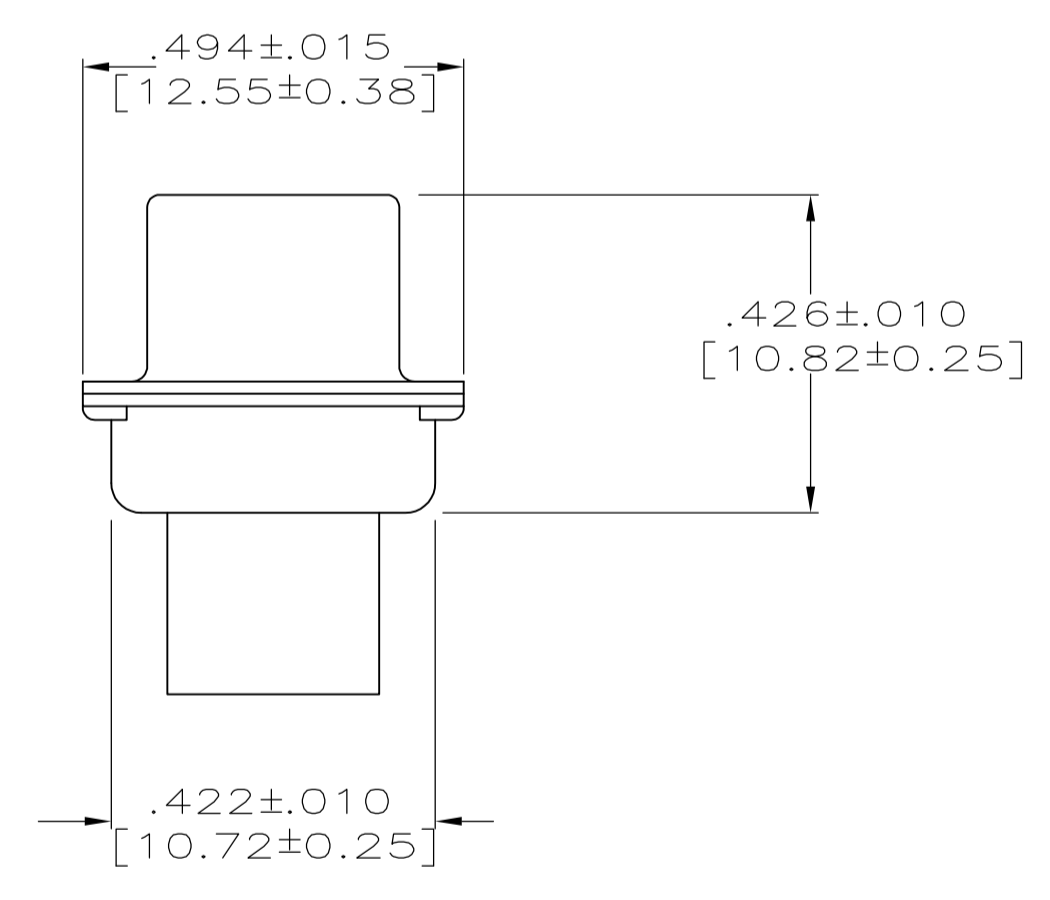
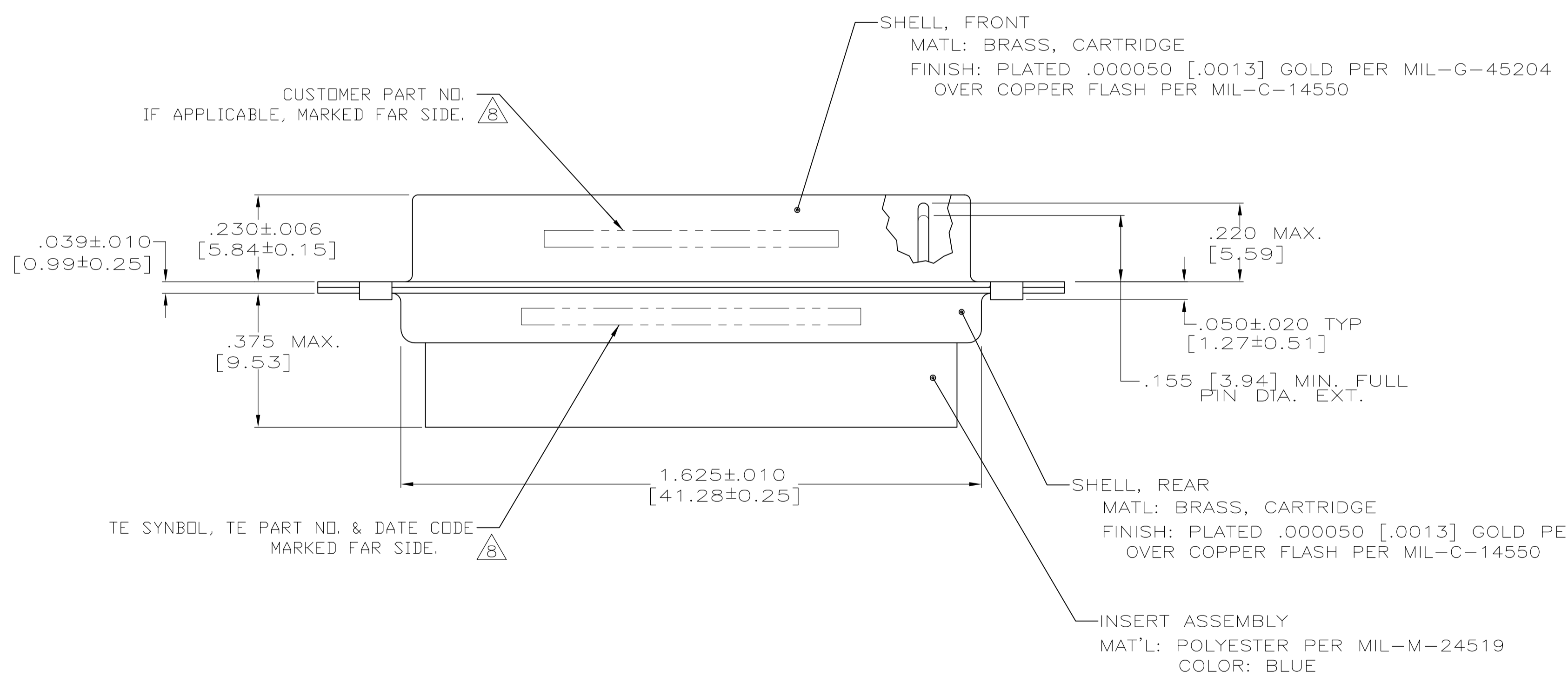
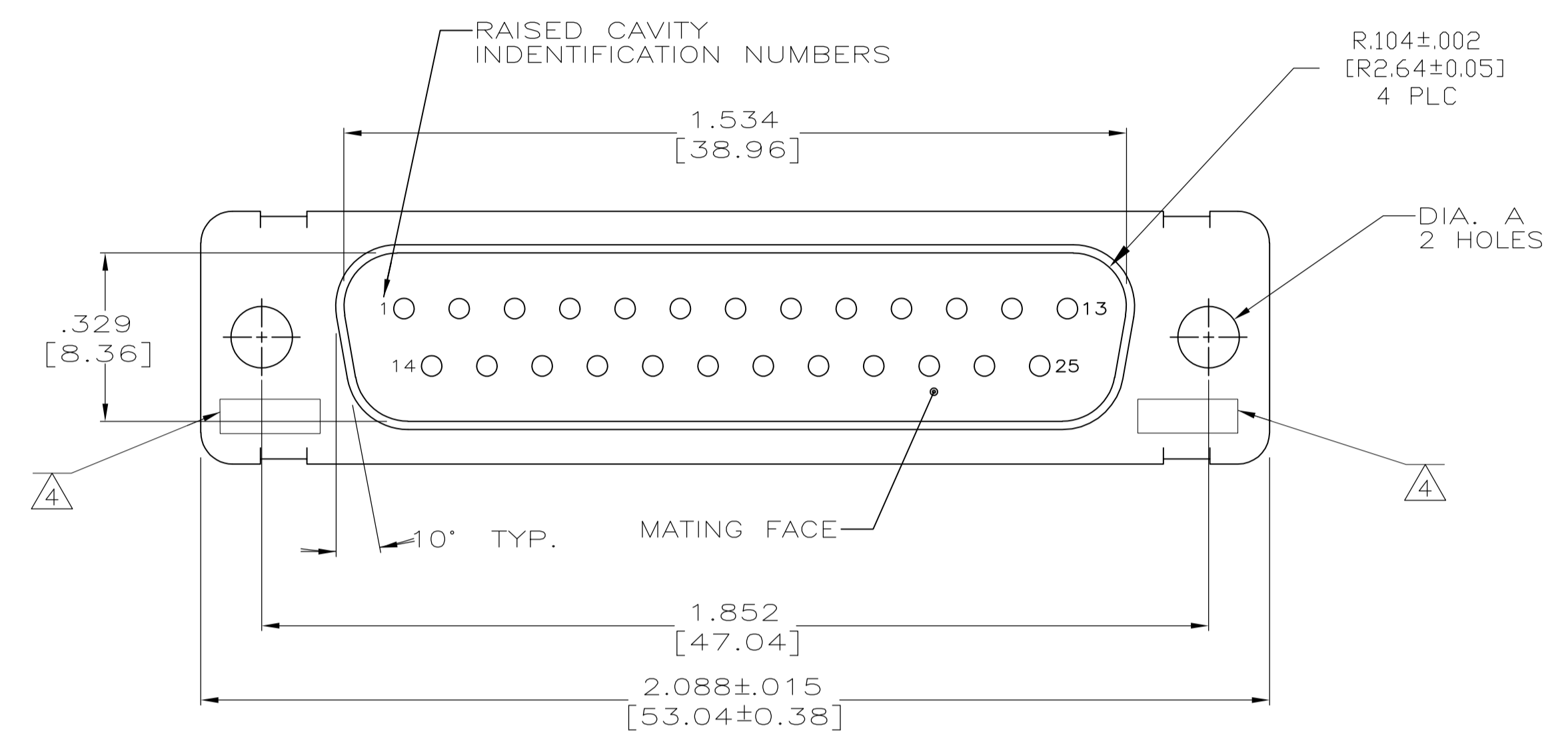
Tel: +86-755-8981 8866 Fax: +86-755-8427 6832

Email & Skype: info@chipsmall.com Web: www.chipsmall.com

Address: A1208, Overseas Decoration Building, #122 Zhenhua RD., Futian, Shenzhen, China



1. THIS PLUG WILL MATE WITH ANY RECEPTACLE CONNECTOR WITH SAME INSERT ARRANGEMENT AS DEFINED BY MS18275-1.
2. MAXIMUM WIRE INSULATION USED WITH THIS PLUG IS .072 [1.83] DIA. MAX.
3. Be-Cu RETENTION CLIPS ARE INCLUDED IN INSERTS.
4. UL/CSA DESIGNATION STAMPED IN THIS AREA, OPTIONAL.
5. RESTRICTED TO CAE ELECTRONICS ONLY.
6. THESE CONNECTORS ARE QUALIFIED TO GODDARD SPACE FLIGHT CENTER SPECIFICATION S-311-P-4.
7. CONTACT NOT INCLUDED - SHOWN FOR DIMENSIONAL REFERENCE ONLY.
8. FAR SIDE REFERS TO WIDE SIDE OF KEYSTONE.



SUPERSEDED BY 1996076-3	.120 [3.05]	8333648P4	206800-8	206800-8
	.120 [3.05]	570513-8	206800-7	206800-7
	.120 [3.05]	311P409-3P-B-12	206800-2	206800-6
OBSELETE	.120 [3.05]	---	206800-5	206800-5
OBSELETE	.120 [3.05]	2A014-003V-001	206800-4	206800-4
	.154 [3.91]	---	206800-3	206800-3
	.120 [3.05]	311P409-3P-B-12	206800-2	206800-2
	.154 [3.91]	311P409-3P-B-15	206800-1	206800-1
REMARKS	DIA A	CUSTOMER P/N ON CONNECTOR	TE P/N ON CONNECTOR	AMP P/N

THIS DRAWING IS A CONTROLLED DOCUMENT.

DIMENSIONS: INCHES	TOLERANCES UNLESS OTHERWISE SPECIFIED:	DIN	M. CLOUSER	1-3-89
	0 PLC ± -	CHK	A. EMADI	1-6-89
	1 PLC ± -	APVD	A. EMADI	1-6-89
	2 PLC ± -	NAME	AMPLIMITE NONMAGNETIC PLUG ASSEMBLY WITHOUT SIZE 20 PIN CONTACTS, SERIES 109, SHELL SIZE 3, 25 POSITION	
	3 PLC ± .005 [0.13]	APPLICATION SPEC	SIZE	CAGE CODE
	4 PLC ± -	WEIGHT	A1	00779
	ANGLES ± 0'30"	CUSTOMER DRAWING	SCALE	4:1
MATERIAL SEE CALLOUTS	FINISH SEE CALLOUTS	RESTRICTED TO	SHEET	1 OF 1
			REV	M

Tyco Electronics Corporation
 Harrisburg, PA 17105-3608