



Chipsmall Limited consists of a professional team with an average of over 10 year of expertise in the distribution of electronic components. Based in Hongkong, we have already established firm and mutual-benefit business relationships with customers from,Europe,America and south Asia,supplying obsolete and hard-to-find components to meet their specific needs.

With the principle of "Quality Parts,Customers Priority,Honest Operation,and Considerate Service",our business mainly focus on the distribution of electronic components. Line cards we deal with include Microchip,ALPS,ROHM,Xilinx,Pulse,ON,Everlight and Freescale. Main products comprise IC,Modules,Potentiometer,IC Socket,Relay,Connector.Our parts cover such applications as commercial,industrial, and automotives areas.

We are looking forward to setting up business relationship with you and hope to provide you with the best service and solution. Let us make a better world for our industry!



Contact us

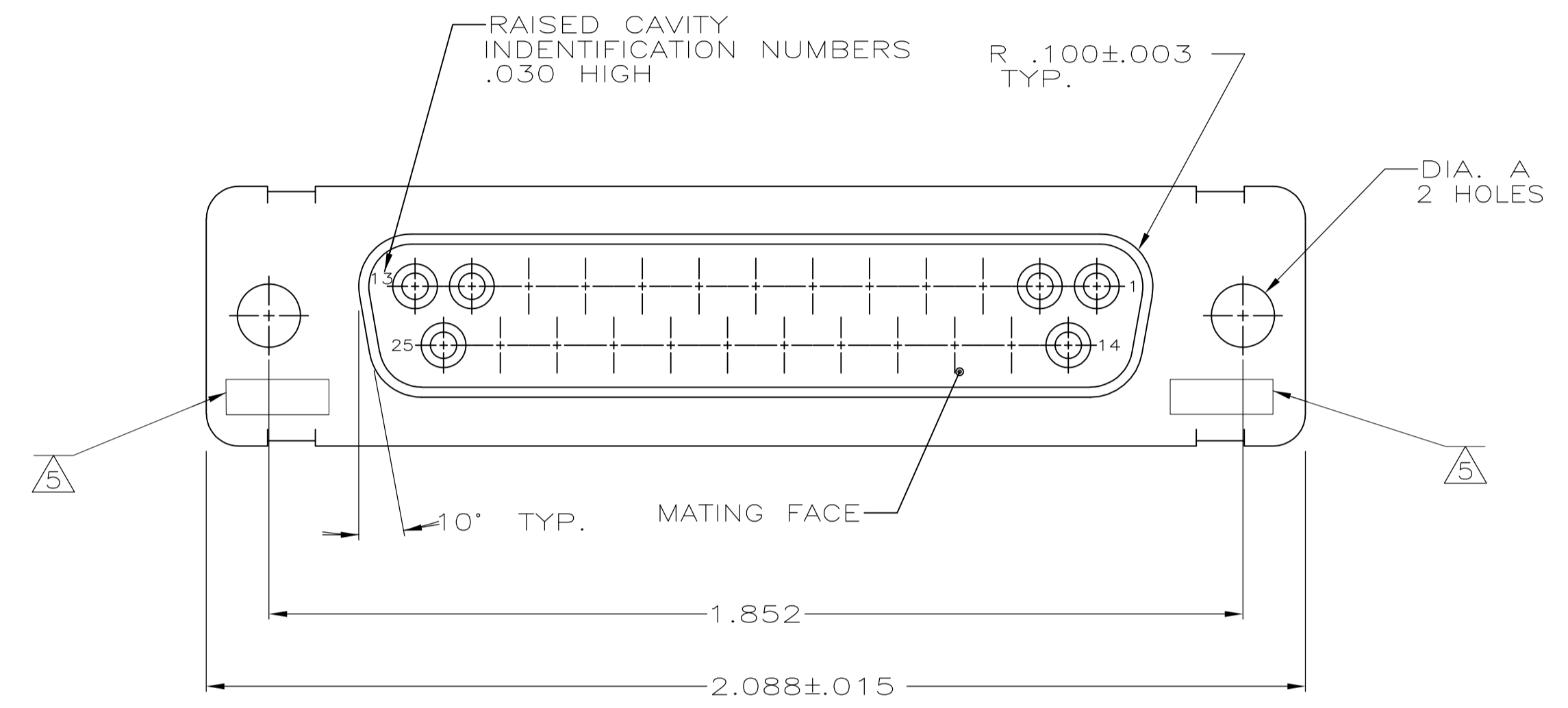
Tel: +86-755-8981 8866 Fax: +86-755-8427 6832

Email & Skype: info@chipsmall.com Web: www.chipsmall.com

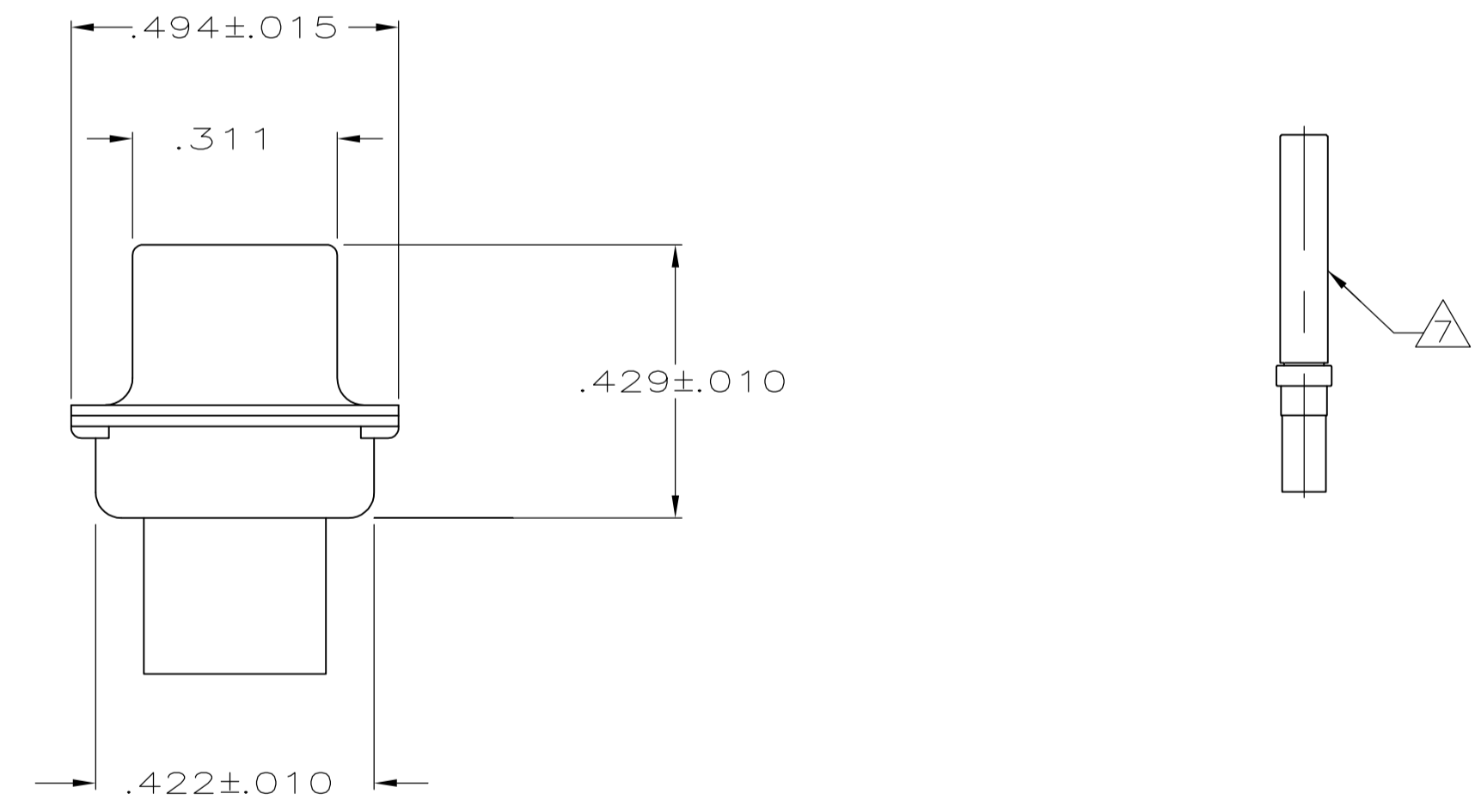
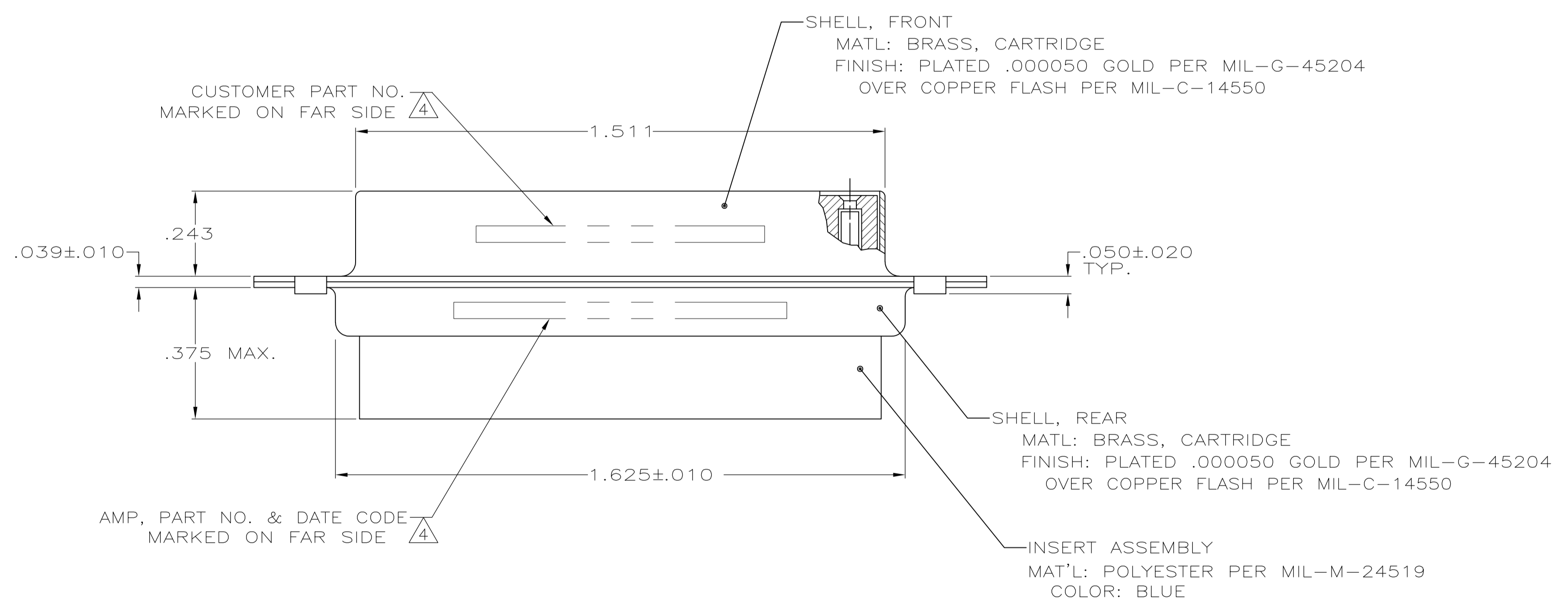
Address: A1208, Overseas Decoration Building, #122 Zhenhua RD., Futian, Shenzhen, China



LOC		DIST		REVISIONS			
P	LTR	DESCRIPTION	DATE	DMN	APVD	CT	RL
N	REV PER ECO	11-017711	10-18-11	CT	RL		



1. THIS RECEPTACLE WILL MATE WITH ANY PLUG CONNECTOR WITH THE SAME INSERT ARRANGEMENT AS DEFINED BY MS18275-1.
 2. MAXIMUM WIRE INSULATION USED WITH THIS RCPT. IS .072 DIA. MAX.
 3. Be-Cu RETENTION CLIPS ARE INCLUDED IN INSERTS.
- ⚠️ 4. FAR SIDE REFERS TO WIDE SIDE OF KEYSTONE.
 - ⚠️ 5. UL/CSA DESIGNATION STAMPED IN THIS AREA, OPTIONAL
 - ⚠️ 6. THESE CONNECTORS ARE QUALIFIED TO GODDARD SPACE FLIGHT CENTER SPECIFICATION S-311-P-4.
 - ⚠️ 7. CONNECTOR SUPPLIED WITH CONTACTS, AMP PART NUMBER 206793-1; (NOT INSTALLED).



OBSOLETE	⚠️	.120	LMSC 1621480-003	206801-8
		.120	LMSC 1621480-003	206801-7
		.120	2A014-008V-001	206801-4
		.154		206801-3
	⚠️	.120	311P409-3S-B-12	206801-2
	.154	311P409-3S-B-15	206801-1	
REMARKS	DIA A	MARK CUSTOMER P/N		AMP P/N

THIS DRAWING IS A CONTROLLED DOCUMENT.

DIMENSIONS: INCHES
 TOLERANCES UNLESS OTHERWISE SPECIFIED:
 0 PLC ± -
 1 PLC ± -
 2 PLC ± -
 3 PLC ± .005
 4 PLC ± -
 ANGLES ± -

MATERIAL: SEE CALLOUTS
 FINISH: SEE CALLOUTS

THIS DRAWING IS A CONTROLLED DOCUMENT.
 DWG: M. CLOUSER 1-3-89
 CHK: T. CANTLIN 1-24-89
 APVD:

STE TE Connectivity
 NAME: RECEPTACLE FOR SOCKET CONTACTS,
 PRODUCT SPEC: SIZE #3, 25 POS. (NON-MAGNETIC)
 APPLICATION SPEC:

SIZE: A1
 CAGE CODE: 00779
 DRAWING NO: 206801
 CUSTOMER DRAWING

WEIGHT: -
 SCALE: 4:1
 SHEET: 1 OF 1
 REV: N