



Chipsmall Limited consists of a professional team with an average of over 10 year of expertise in the distribution of electronic components. Based in Hongkong, we have already established firm and mutual-benefit business relationships with customers from,Europe,America and south Asia,supplying obsolete and hard-to-find components to meet their specific needs.

With the principle of “Quality Parts,Customers Priority,Honest Operation,and Considerate Service”,our business mainly focus on the distribution of electronic components. Line cards we deal with include Microchip,ALPS,ROHM,Xilinx,Pulse,ON,Everlight and Freescale. Main products comprise IC,Modules,Potentiometer,IC Socket,Relay,Connector.Our parts cover such applications as commercial,industrial, and automotives areas.

We are looking forward to setting up business relationship with you and hope to provide you with the best service and solution. Let us make a better world for our industry!



## Contact us

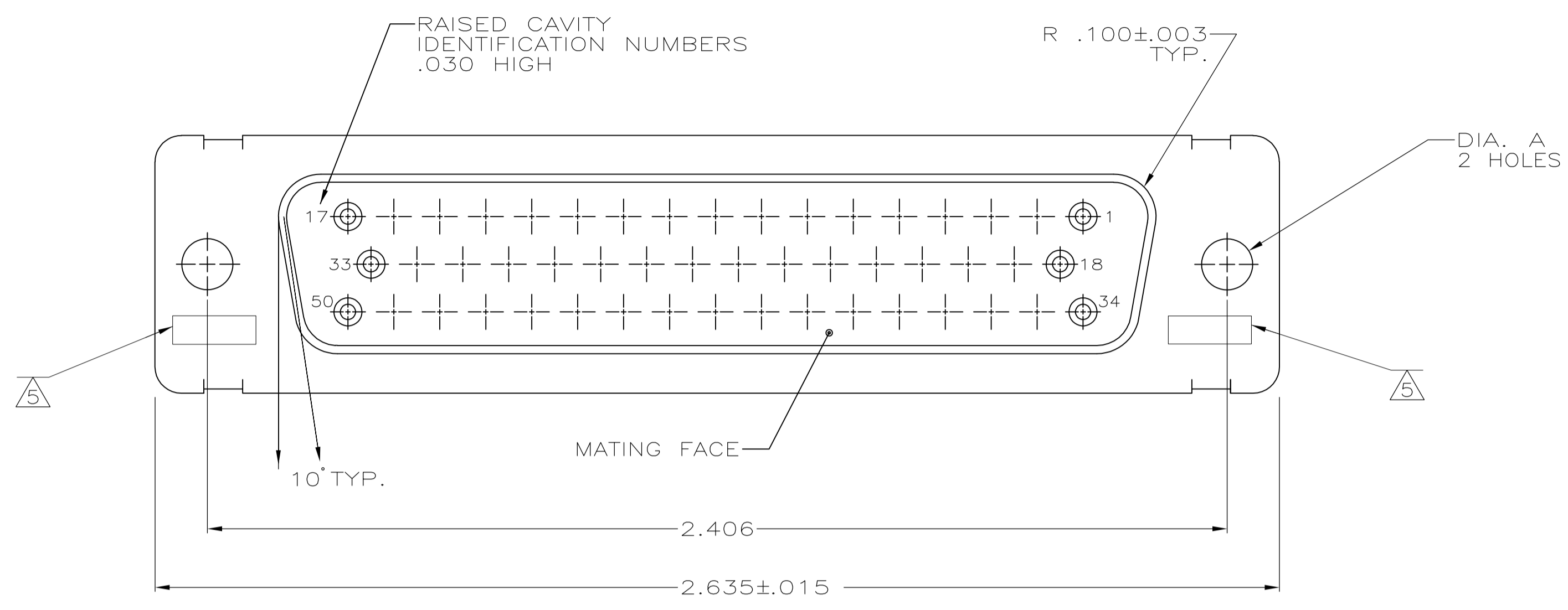
Tel: +86-755-8981 8866 Fax: +86-755-8427 6832

Email & Skype: info@chipsmall.com Web: www.chipsmall.com

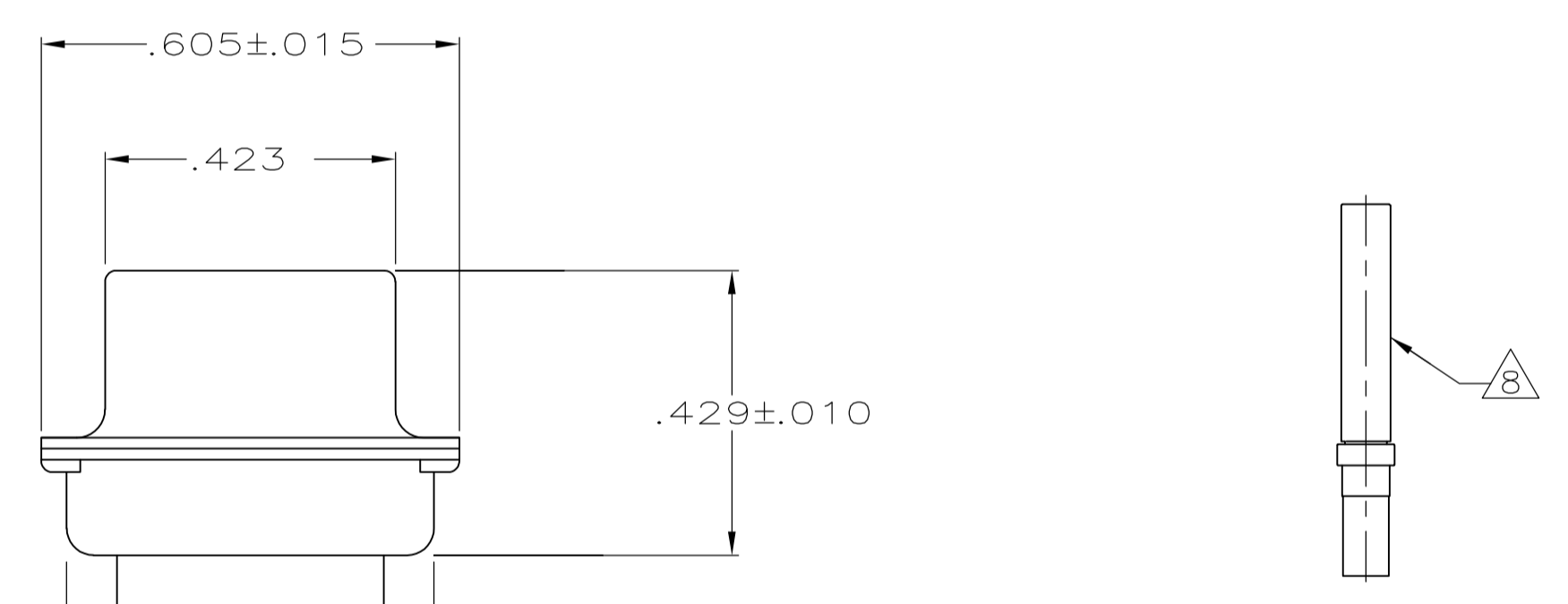
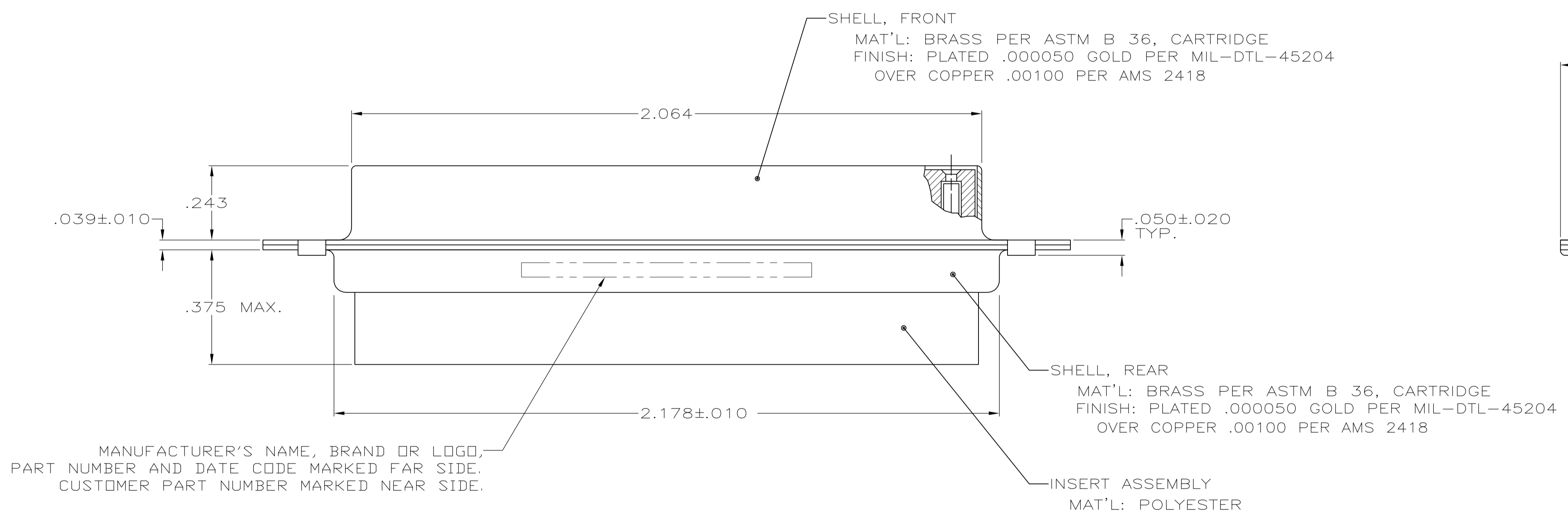
Address: A1208, Overseas Decoration Building, #122 Zhenhua RD., Futian, Shenzhen, China



LOC		DIST		REVISIONS			
P	LTR	DESCRIPTION	DATE	DN	APVD		
S		REV PER ECO 11-17711	10-18-11	CT	RL		



1. THIS RECEPTACLE WILL MATE WITH ANY PLUG CONNECTOR WITH THE SAME INSERT ARRANGEMENT AS DEFINED BY MS18277-1.
2. MAXIMUM WIRE INSULATION USED WITH THIS RCPT. IS .072 DIA. MAX.
3. Be-Cu RETENTION CLIPS ARE INCLUDED IN INSERTS.
- 4 FAR SIDE REFERS TO WIDE SIDE OF KEYSTONE.
- 5 UL/CSA DESIGNATION STAMPED IN THIS AREA, OPTIONAL
- 6 THIS CONNECTOR IS QUALIFIED TO GODDARD SPACE FLIGHT CENTER S-311-P-4.
- 7 RESTRICTED TO CAE ELECTRONICS ONLY.
- 8 CONNECTOR SUPPLIED WITH 50 CONTACTS, AMP PART NUMBER 206793-1; (NOT INSTALLED).



MANUFACTURER'S NAME, BRAND OR LOGO, PART NUMBER AND DATE CODE MARKED FAR SIDE. CUSTOMER PART NUMBER MARKED NEAR SIDE.

NOT RELEASED FOR PRODUCTION  
OBSOLETE  
OBSOLETE

8	.120	LMSC 1621480-005	206805-9	206805-9
	.120	LMSC 1621480-005	206805-8	206805-8
6 7	.120	311P409-5S-B-12	206805-2	206805-7
		1A01-032RHA		206805-6
				206805-5
	.120	2A014-010V-001	206805-4	206805-4
	.154		206805-3	206805-3
6	.120	311P409-5S-B-12	206805-2	206805-2
6	.154	311P409-5S-B-15	206805-1	206805-1
REMARKS	DIA A	MARKED CUSTOMER P/N	MARKED MFG P/N	PART NUMBER

THIS DRAWING IS A CONTROLLED DOCUMENT. DIM: M. CLOUSER 1-4-89. CHK: T. CANTLIN 1-24-89. APVD: NAME: **STE** TE Connectivity

RECEPTACLE FOR SOCKET CONTACTS, SERIES 109, 50 POSITION, AMPLIMITE

SIZE: A1 CAGE CODE: 00779 DRAWING NO: 206805 RESTRICTED TO:   
 WEIGHT: CUSTOMER DRAWING SCALE: 4:1 SHEET: 1 OF 1 REV: S