



Chipsmall Limited consists of a professional team with an average of over 10 year of expertise in the distribution of electronic components. Based in Hongkong, we have already established firm and mutual-benefit business relationships with customers from,Europe,America and south Asia,supplying obsolete and hard-to-find components to meet their specific needs.

With the principle of “Quality Parts,Customers Priority,Honest Operation,and Considerate Service”,our business mainly focus on the distribution of electronic components. Line cards we deal with include Microchip,ALPS,ROHM,Xilinx,Pulse,ON,Everlight and Freescale. Main products comprise IC,Modules,Potentiometer,IC Socket,Relay,Connector.Our parts cover such applications as commercial,industrial, and automotives areas.

We are looking forward to setting up business relationship with you and hope to provide you with the best service and solution. Let us make a better world for our industry!



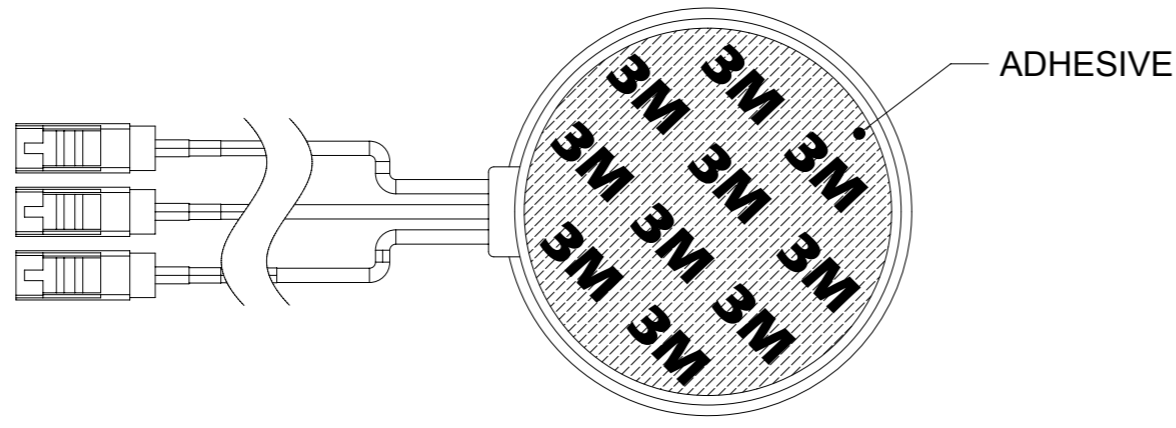
Contact us

Tel: +86-755-8981 8866 Fax: +86-755-8427 6832

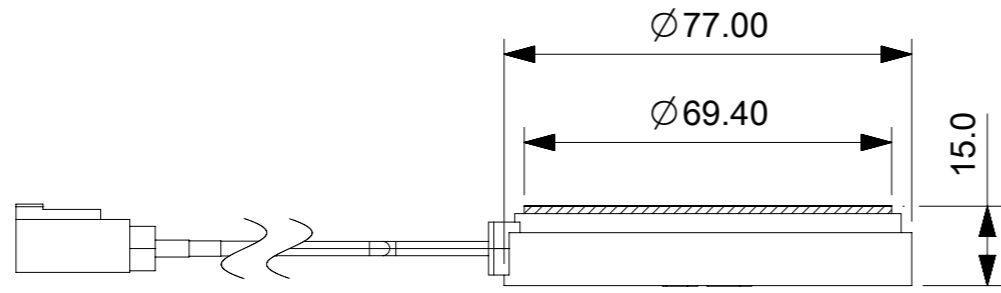
Email & Skype: info@chipsmall.com Web: www.chipsmall.com

Address: A1208, Overseas Decoration Building, #122 Zhenhua RD., Futian, Shenzhen, China

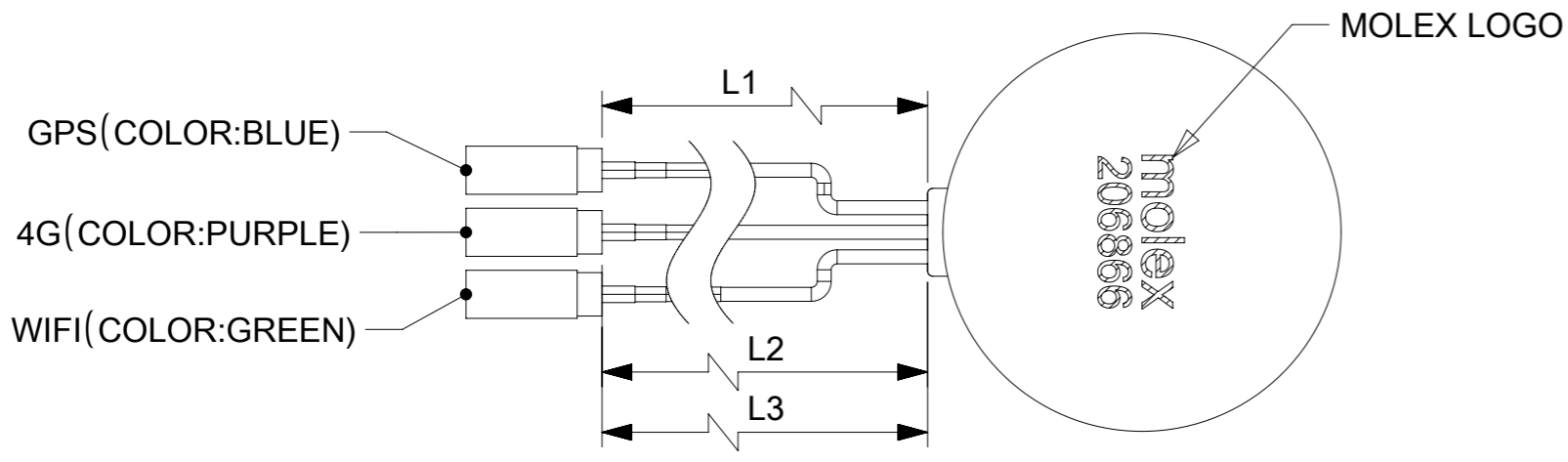




A PLANE



3D VIEW



B PLANE

TABLE A		
ITE	MATERIAL	DESCRIPTION
1	ANTENNA	DIELECTRIC CERAMIC
2	PLASTIC CASE	ABS
3	PCB	FR4
4	SHIELDING CASE	TINPLATE
5	CABLE	RG174
6	GPS CONNECTOR	FAKRA-C
7	GSM CONNECTOR	FAKRA-D
8	WIFI CONNECTOR	FAKRA-E
9	ADHSIVE	3M

NOTE:
 1. CABLE LENGTH:L1=3000±100mm;L2=3000±100mm;
 L3=3000±100mm
 2. FOAM GLUE FIXED ON THE A SIDE, B SIDE UP WHEN USED.
 3. MATERIAL PLEAES REFER TO TABLE A.

SYMBOLS ▽ = 0 ▽ = 0 ▽ = 0 ▽ = 0 ▽ = 0 ▽ = 0 ▽ = 0 ▽ = 0 ▽ = 0 ▽ = 0	THIS DRAWING CONTAINS INFORMATION THAT IS PROPRIETARY TO MOLEX ELECTRONIC TECHNOLOGIES, LLC AND SHOULD NOT BE USED WITHOUT WRITTEN PERMISSION DIMENSION UNITS: mm SCALE: 1:1	CURRENT REV DESC: EC NO: 177153 DRWN: KCHENG06 2018/03/13 CHK'D: KCHENG06 2018/06/04 APPR: XJSONG 2018/06/07				
	GENERAL TOLERANCES (UNLESS SPECIFIED) ANGULAR TOL ± °	INITIAL REVISION: DRWN: KCHENG06 2018/03/13 APPR: XJSONG 2018/06/07		3IN1 (4G/WIFI/GPS) EXTERNAL ANTENNA		
	4 PLACES ± 3 PLACES ± 2 PLACES ± 1.5 1 PLACE ± 2.0 0 PLACES ±	DRAFT WHERE APPLICABLE MUST REMAIN WITHIN DIMENSIONS THIRD ANGLE PROJECTION 		PRODUCT CUSTOMER DRAWING		
	MATERIAL NUMBER: 206866 CUSTOMER: GENERAL MARKET	DOCUMENT NUMBER: 2068663000 DOC TYPE: PSD DOC PART: SD REVISION: A	SHEET NUMBER: 1 OF 1			