



Chipsmall Limited consists of a professional team with an average of over 10 year of expertise in the distribution of electronic components. Based in Hongkong, we have already established firm and mutual-benefit business relationships with customers from,Europe,America and south Asia,supplying obsolete and hard-to-find components to meet their specific needs.

With the principle of “Quality Parts,Customers Priority,Honest Operation,and Considerate Service”,our business mainly focus on the distribution of electronic components. Line cards we deal with include Microchip,ALPS,ROHM,Xilinx,Pulse,ON,Everlight and Freescale. Main products comprise IC,Modules,Potentiometer,IC Socket,Relay,Connector.Our parts cover such applications as commercial,industrial, and automotives areas.

We are looking forward to setting up business relationship with you and hope to provide you with the best service and solution. Let us make a better world for our industry!



Contact us

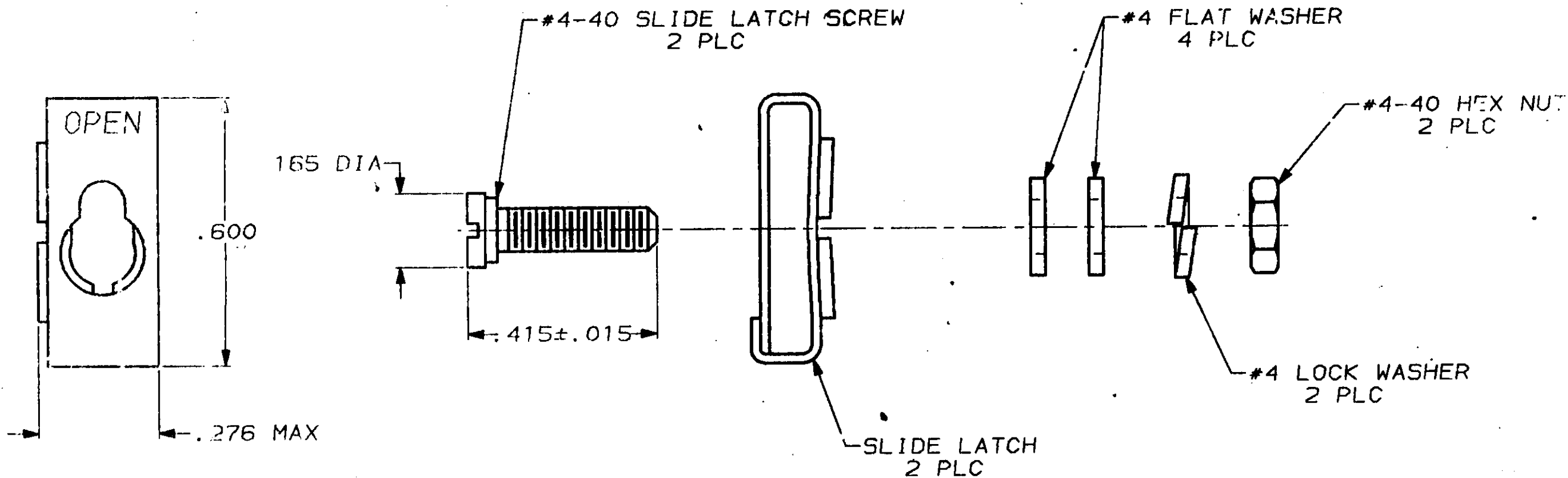
Tel: +86-755-8981 8866 Fax: +86-755-8427 6832

Email & Skype: info@chipsmall.com Web: www.chipsmall.com

Address: A1208, Overseas Decoration Building, #122 Zhenhua RD., Futian, Shenzhen, China



LOC	DIST	P	F	ZONE	LTR	REVISIONS	DATE	APPD
BD	39				F	REVISIED & REDRAWN PER ECN 2364	9/15/88	gts
						DESCRIPTION		



- 1. PARTS PACKAGED UNASSEMBLED.
- 2. PARTS PACKAGED AS A UNIT KIT.
- 3. PARTS INDIVIDUALLY BULK PACKED & SHIPPED AS A UNIT PACKAGE.
- 4. ZINC PLATED PER ASTM B633, TYPE II, CLASS SCI, YELLOW CHROMATE.
- 5. ZINC PLATED PER ASTM B633, TYPE III, CLASS SCI, CLEAR CHROMATE.
- 6. THIS KIT CAN BE USED WITH ONE-PIECE STRAIGHT/45° EXIT CABLE CLAMPS, ONE-PIECE STRAIGHT/90° EXIT CABLE CLAMPS, OR ON CONNECTORS WITHOUT CABLE CLAMPS.

6	OBSOLETE	5	#4-40	3	206942-4
6	OBSOLETE	5	#4-40	2	206942-3
6		4	#4-40	3	206942-2
6		4	#4-40	2	206942-1

HARDWARE FINISH		THREAD TYPE	PACKAGING	PART NO
DO NOT SCALE PRINT. UNLESS SPECIFIED DIMENSIONS IN INCHES TOLERANCES ON: 2 PLC DEC * - 3 PLC DEC * .005 ANGLES * -		DR - 8-4-88	AMP INCORPORATED Morgantown, Pa. 17105	
MATERIAL SLIDE LATCH, STAINLESS STEEL HARDWARE, STEEL PER ASTM A108 FINISH		CHK - 8-9-88	NAME KIT, TWO-PIECE SLIDE LATCH, SIZES 1 THRU 4, AMPLIMITE®	
HARDWARE, SEE TABLE		APPD - 8-16-88	SIZE B	F SCH NO 00779
APPLICATION SPEC		APPD - 8/16/88	DRAWING NO 206942	
WEIGHT -			SCALE 4:1	SHEET 1 OF 1