



Chipsmall Limited consists of a professional team with an average of over 10 year of expertise in the distribution of electronic components. Based in Hongkong, we have already established firm and mutual-benefit business relationships with customers from,Europe,America and south Asia,supplying obsolete and hard-to-find components to meet their specific needs.

With the principle of “Quality Parts,Customers Priority,Honest Operation,and Considerate Service”,our business mainly focus on the distribution of electronic components. Line cards we deal with include Microchip,ALPS,ROHM,Xilinx,Pulse,ON,Everlight and Freescale. Main products comprise IC,Modules,Potentiometer,IC Socket,Relay,Connector.Our parts cover such applications as commercial,industrial, and automotives areas.

We are looking forward to setting up business relationship with you and hope to provide you with the best service and solution. Let us make a better world for our industry!



Contact us

Tel: +86-755-8981 8866 Fax: +86-755-8427 6832

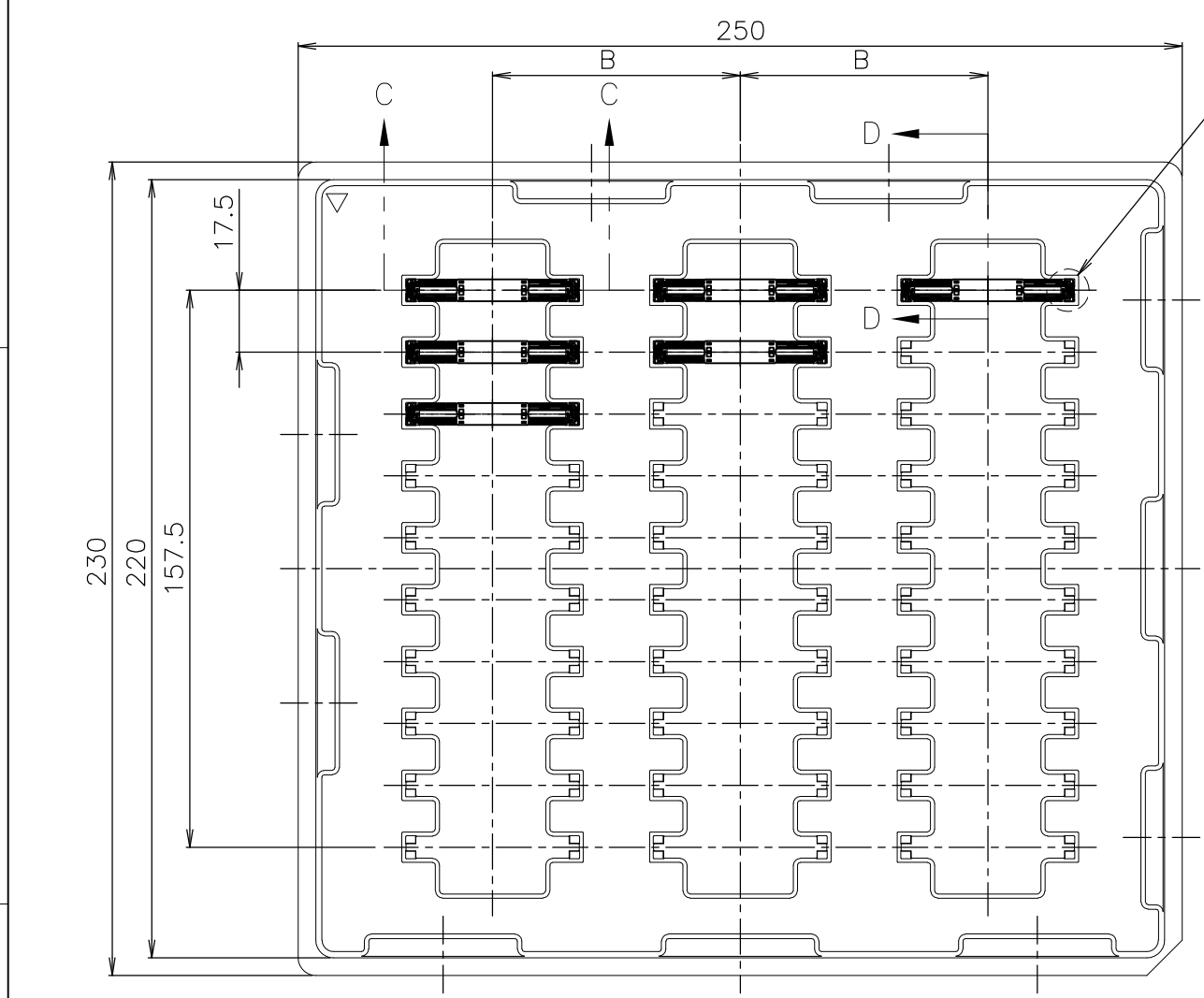
Email & Skype: info@chipsmall.com Web: www.chipsmall.com

Address: A1208, Overseas Decoration Building, #122 Zhenhua RD., Futian, Shenzhen, China

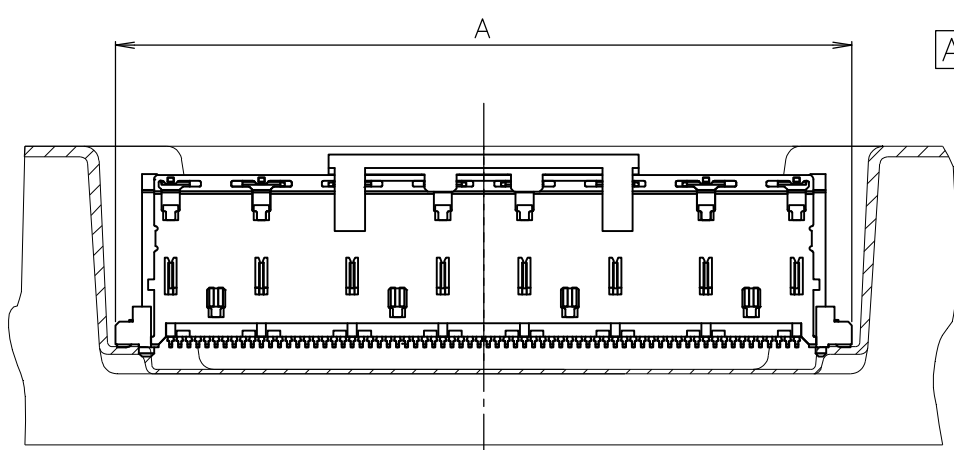


THIS DRAWING IS UNPUBLISHED. RELEASED FOR PUBLICATION OCT. 2008.
 © COPYRIGHT 2008 By - ALL RIGHTS RESERVED.

LOC	DIST	REVISIONS			DATE	DWN	APVD
J		P	LTR	DESCRIPTION			
		A1		OBSOLETE	02APR2015	I.T	W.H

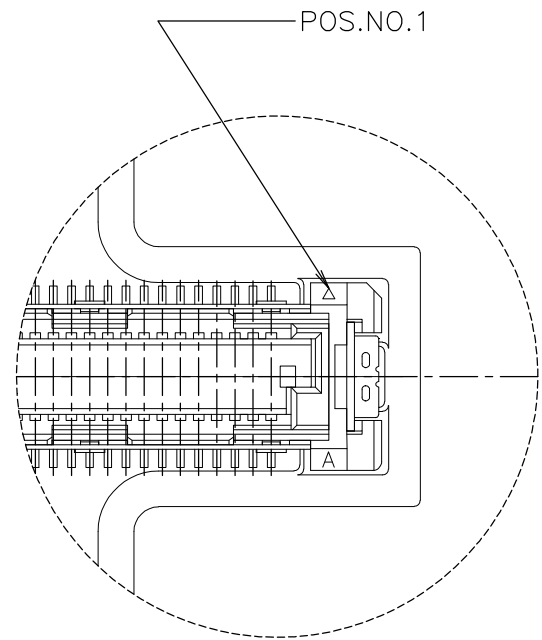
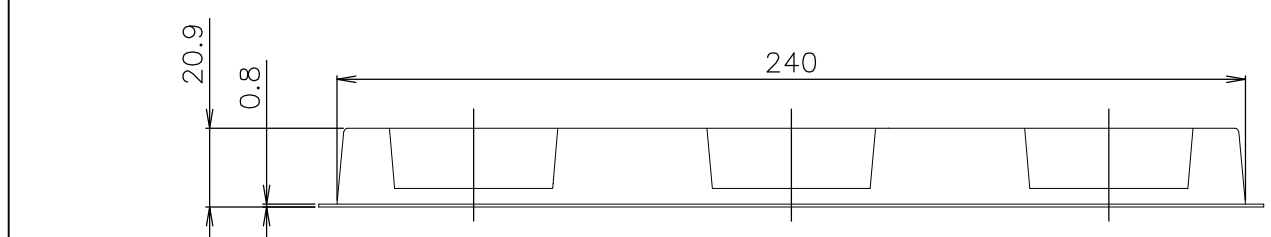


SEE DETAIL E

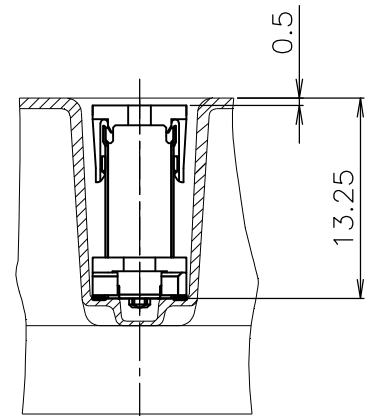


AS SHOWN:TYPE-1

C-C (SCALE 2:1)

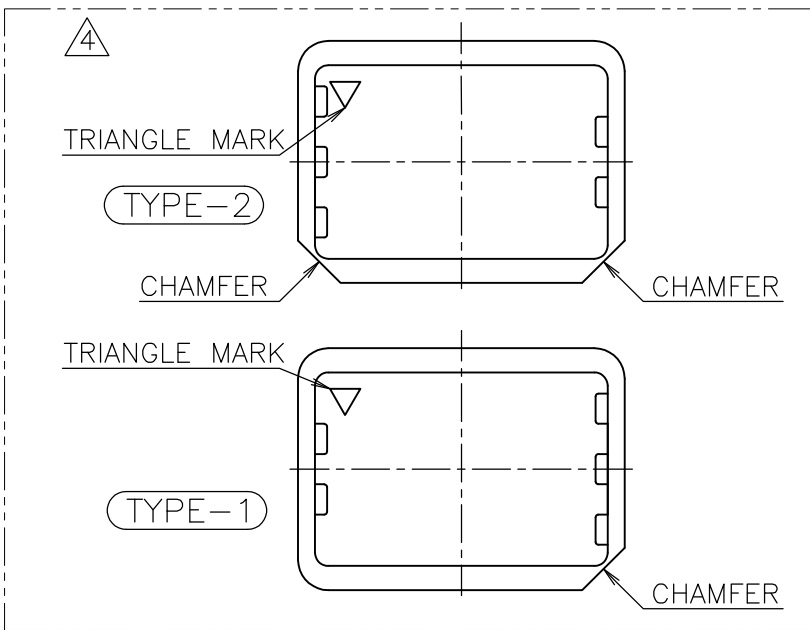


DETAIL E (SCALE 4:1)



D-D (SCALE 2:1)

△ TRAY TYPE-1 AND TYPE-2 MUST BE
 PILED UP BY TURNS.
 (REFER TO PACKING SPECIFICATIONS)



(A1)	OBSOLETE	NON SEALANT	AVAILABLE	3	30	70	48.7	140	2069478-1
		SEALANT	TOOLING STATUS	LOW	QTY	B	A	POS.	PART NO.

THIS DRAWING IS A CONTROLLED DOCUMENT.

DIMENSIONS: ??? ? mm	TOLERANCES UNLESS OTHERWISE SPECIFIED: ????	DWN Y.OKOSHI 21OCT2008	STE TE Connectivity
	0 PLC ± -	CHK S.KAJINUMA 21OCT2008	
	1 PLC ± -	APVD T.FUTATSUGI 21OCT2008	
	2 PLC ± -	NAME ??	
	3 PLC ± -	PRODUCT SPEC 108-60047	SOFT TRAY ASSY
	4 PLC ± -	APPLICATION SPEC 114-5255	FH 0.6BTB CONNECTOR
	ANGLES ± -	WEIGHT	PLUG 12H W/G-PLATE AND CAP
MATERIAL ??	FINISH ??	SIZE A3	RESTRICTED TO
		CAGE CODE 00779	
		DRAWING NO C-2069478	
		SCALE 1:2	
		SHEET 1 OF 3	
		REV A1	

GENERAL TOLERANCE
 一般公差
 10 ≥ ±0.2
 30 ≥ >10: ±0.25
 100 ≥ >30: ±0.3
 ANGLES: ±3°

4

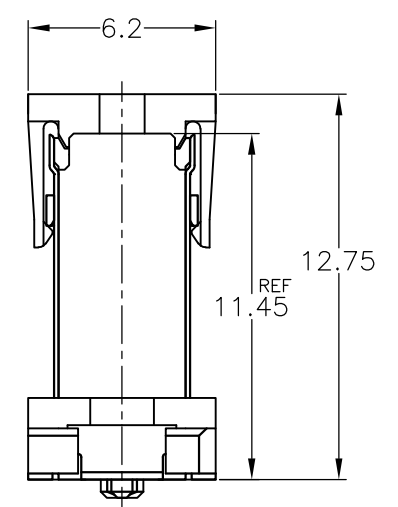
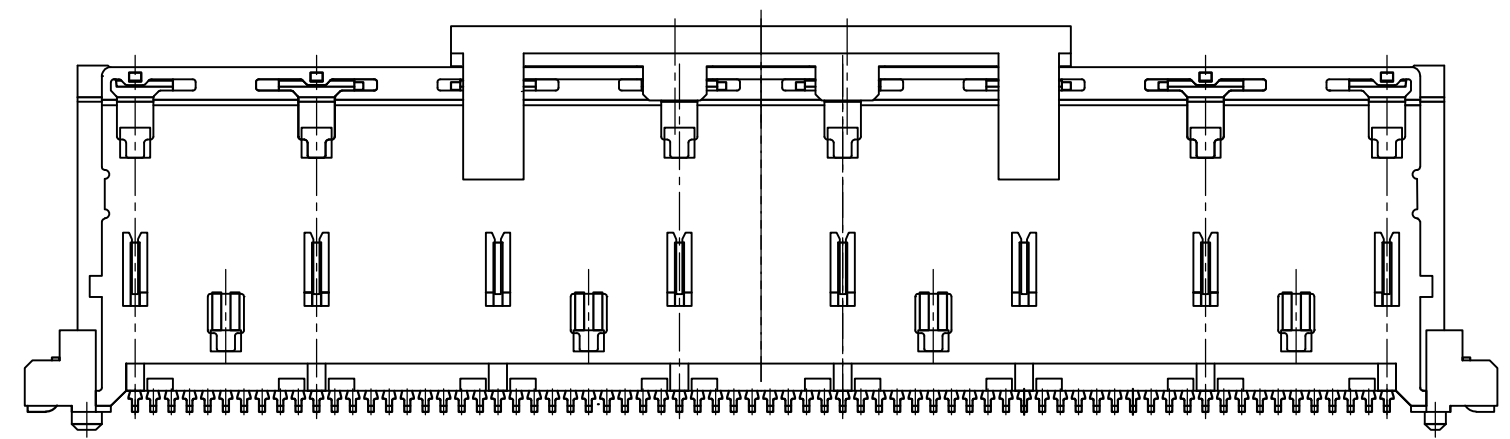
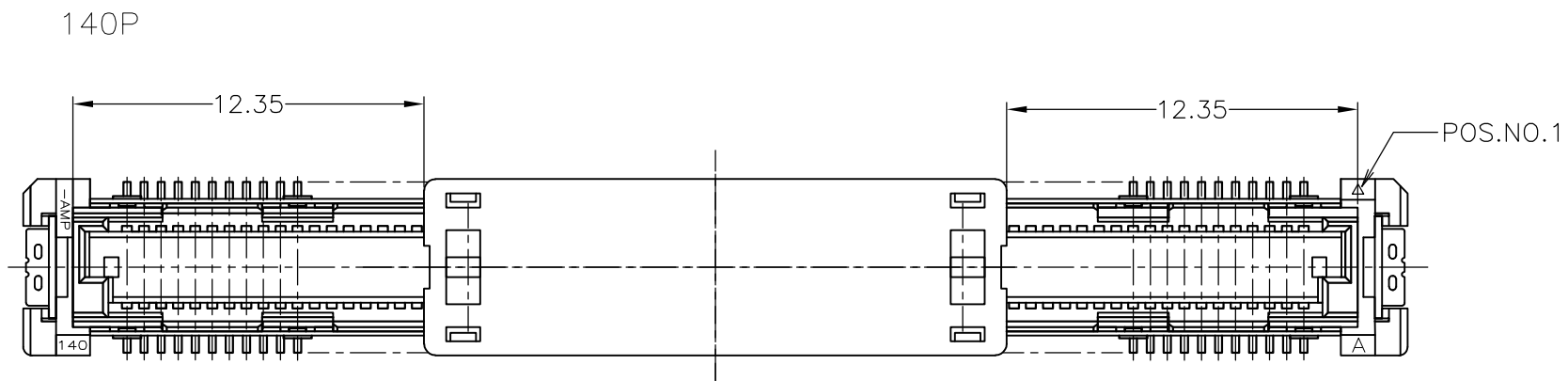
3

2

1

THIS DRAWING IS UNPUBLISHED. RELEASED FOR PUBLICATION OCT , 2008.
 © COPYRIGHT 2008 By - ALL RIGHTS RESERVED.

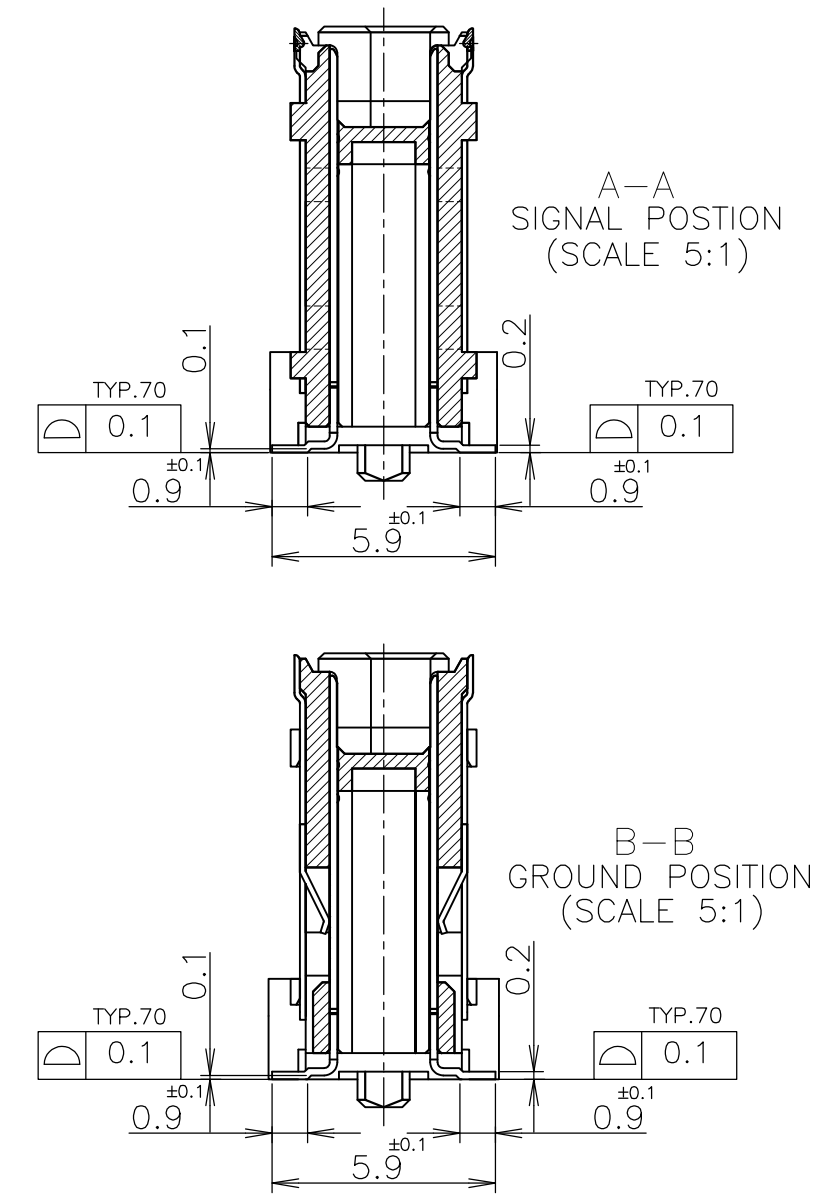
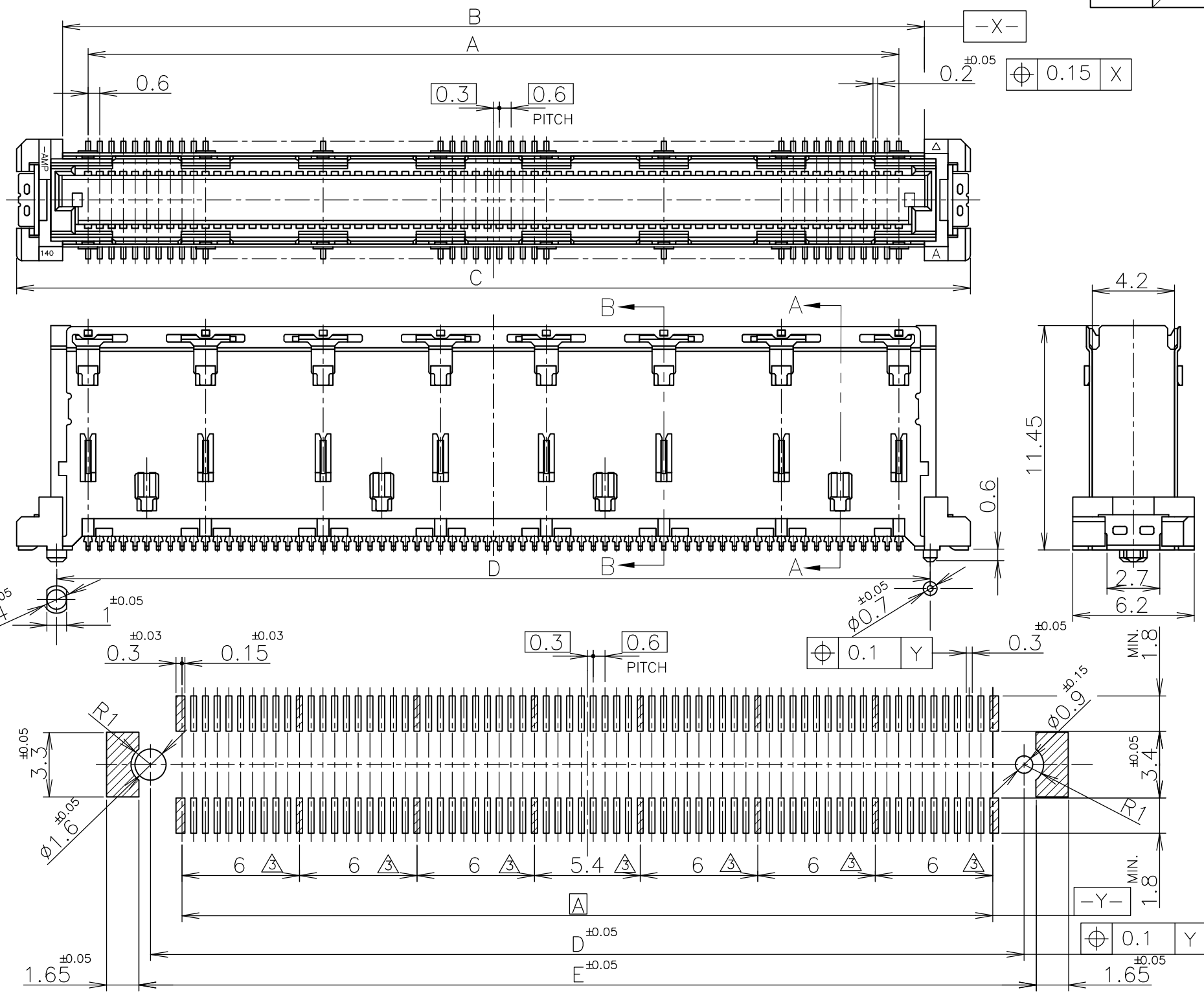
LOC J	DIST	REVISIONS ??					
		P	LTR	DESCRIPTION	DATE	DWN	APVD
		-		SEE SHEET 1	-	-	-



THIS DRAWING IS A CONTROLLED DOCUMENT.		DWN	STE TE Connectivity			
DIMENSIONS: TOLERANCES UNLESS OTHERWISE SPECIFIED: ??? ? mm ????		CHK				
		APVD	NAME ??			
		PRODUCT SPEC ?????	SOFT TRAY ASSY FH 0.6BTB CONNECTOR PLUG 12H W/G-PLATE AND CAP			
MATERIAL ??		APPLICATION SPEC ???????	SIZE	CAGE CODE	DRAWING NO	RESTRICTED TO
FINISH ??		WEIGHT	A3	00779	C-2069478	
CUSTOMER DRAWING			SCALE ?? 1:2	SHEET 2 OF 3	REV A1	

THIS DRAWING IS UNPUBLISHED. RELEASED FOR PUBLICATION OCT. 2008.
 © COPYRIGHT 2008 By - ALL RIGHTS RESERVED.

LOC	DIST	REVISIONS			DATE	DWN	APVD
J		P	LTR	DESCRIPTION			
		-		SEE SHEET 1	-	-	-



REFERENCE P.C.BOARD LAYOUT

45.8	44.6	48.7	44	41.4	140	2069478-1
E	D	C	B	A	POS	PART NO.

- ① MATERIAL ; HOUSING : HIGH TEMP THERMO PLASTIC
UL94V-0
CONTACT : COPPER ALLOY
- ② FINISH ; UNDER PL Ni 0.0013mm MIN ALL OVER.
CONTACT AREA 0.00076 MIN Au PL.
SOLDERING AREA 0.001 MIN TIN PL.
- ③ THIS POSITION IS GROUND CIRCUIT.

GENERAL TOLERANCE
一般公差

10 ≥	±0.2
30 ≥	>10:±0.25
100 ≥	>30:±0.3
ANGLES: ±3°	

THIS DRAWING IS A CONTROLLED DOCUMENT.

DIMENSIONS: ??? ? mm	TOLERANCES UNLESS OTHERWISE SPECIFIED: ????
0 PLC ± -	
1 PLC ± -	
2 PLC ± -	
3 PLC ± -	
4 PLC ± -	
ANGLES ± -	
FINISH ??	

MATERIAL ??

DWN
CHK
APVD
PRODUCT SPEC
APPLICATION SPEC
WEIGHT

STE TE Connectivity

NAME ??

SOFT TRAY ASSY
FH 0.6BTB CONNECTOR
PLUG 12H W/G-PLATE

SIZE	CAGE CODE	DRAWING NO	RESTRICTED TO
A3	00779	C-2069478	

CUSTOMER DRAWING

SCALE ?? 4:1 SHEET 3 OF 3 REV A1