



Chipsmall Limited consists of a professional team with an average of over 10 year of expertise in the distribution of electronic components. Based in Hongkong, we have already established firm and mutual-benefit business relationships with customers from,Europe,America and south Asia,supplying obsolete and hard-to-find components to meet their specific needs.

With the principle of “Quality Parts,Customers Priority,Honest Operation,and Considerate Service”,our business mainly focus on the distribution of electronic components. Line cards we deal with include Microchip,ALPS,ROHM,Xilinx,Pulse,ON,Everlight and Freescale. Main products comprise IC,Modules,Potentiometer,IC Socket,Relay,Connector.Our parts cover such applications as commercial,industrial, and automotives areas.

We are looking forward to setting up business relationship with you and hope to provide you with the best service and solution. Let us make a better world for our industry!



Contact us

Tel: +86-755-8981 8866 Fax: +86-755-8427 6832

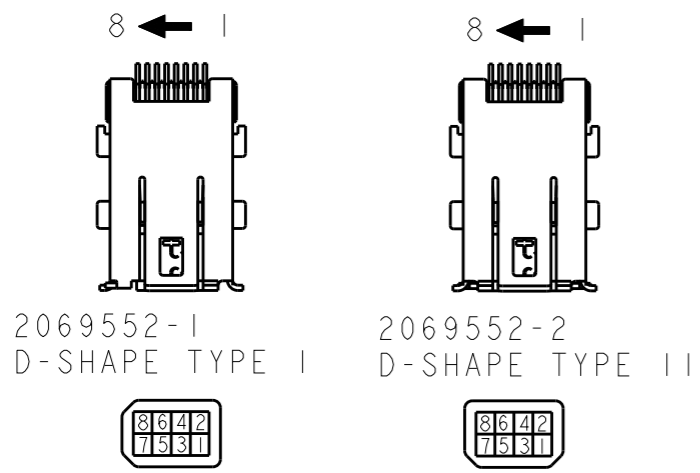
Email & Skype: info@chipsmall.com Web: www.chipsmall.com

Address: A1208, Overseas Decoration Building, #122 Zhenhua RD., Futian, Shenzhen, China

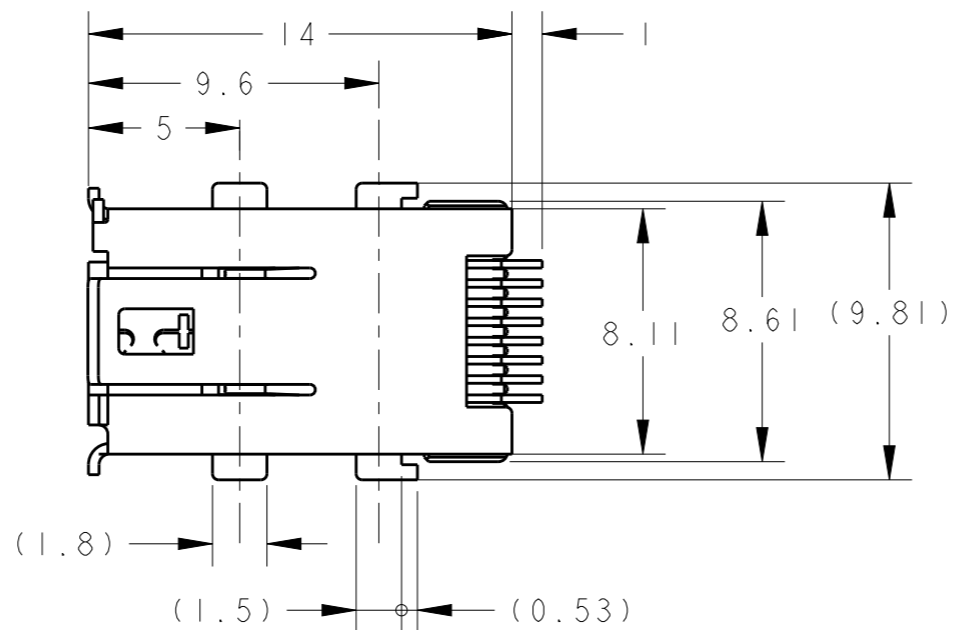


THIS DRAWING IS UNPUBLISHED. RELEASED FOR PUBLICATION
 © COPYRIGHT - BY TE CONNECTIVITY ALL RIGHTS RESERVED.

REVISIONS					
変更					
P	LTR	DESCRIPTION	DATE	DWN	APVD
	B	REVISED	28APR2014	T.S	N.Y



回路番号 CIRCUIT NO. 回路番号 CIRCUIT NO.



△1材料及仕上げ
 コンタクト
 材料: 銅合金
 全面Ni 下地めっき 1.27μmMIN
 接点部: Auめっき 0.5μmMIN
 半田付け部: Auフラッシュめっき
 ハウジング
 材料: 熱可塑性樹脂
 難燃性 UL 94V-0
 シェル
 材料: 銅合金
 全面Ni 下地めっき
 全面Snめっき

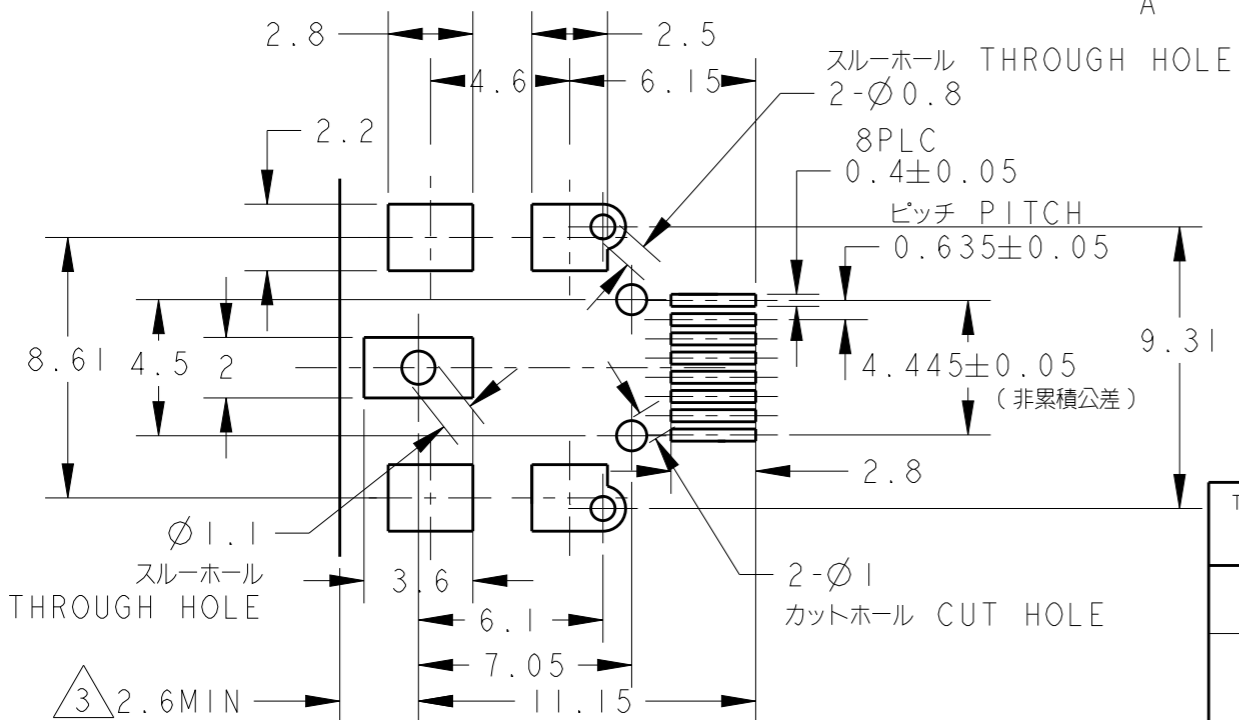
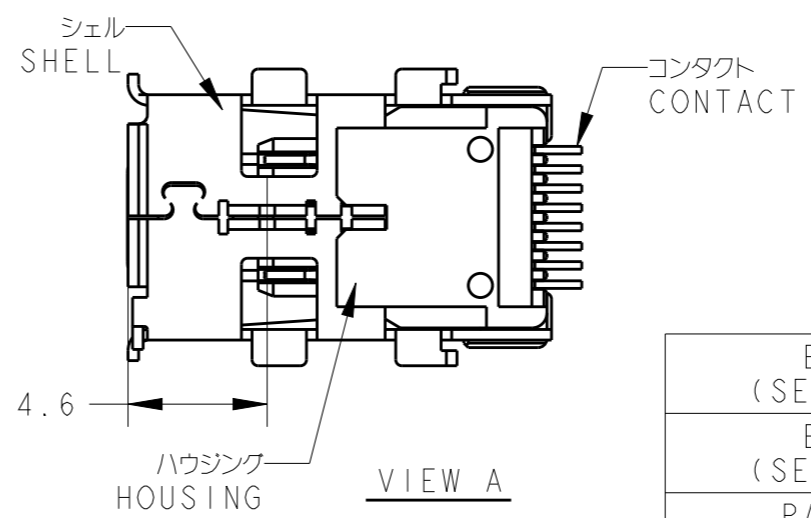
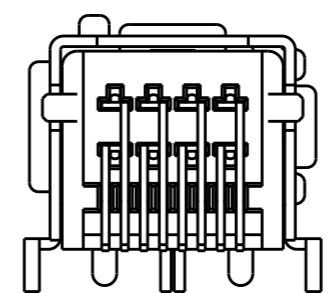
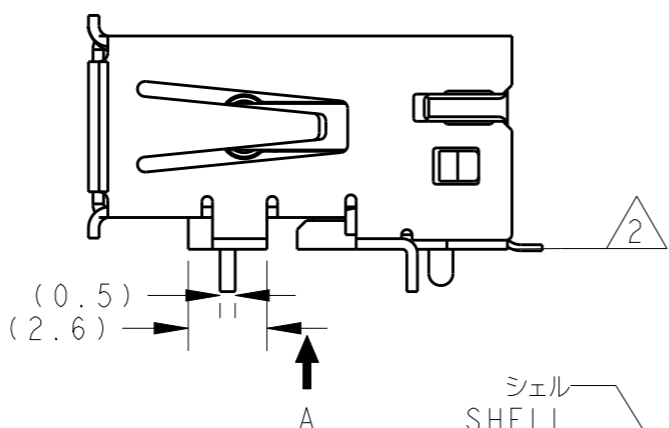
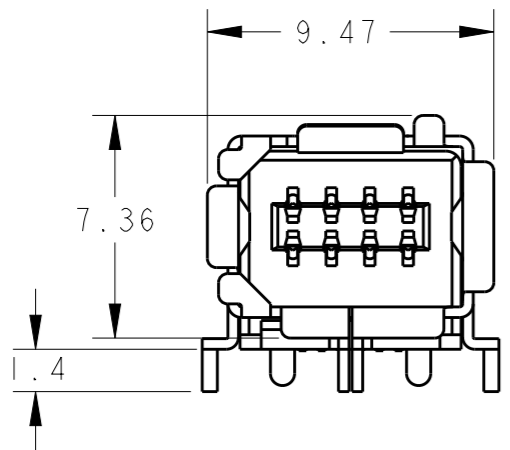
△2 SMTリード先端部の平坦度(コプラナリティー): 0.1MAX

△3 顧客決定寸法

△1 MATERIAL AND FINISH
 CONTACT
 COPPER ALLOY
 UNDER ALL SURFACE Ni 1.27μm MIN
 TOP CONTACT AREA Au 0.5μm MIN
 SOLDERING AREA Au FLASH
 HOUSING
 THERMO PLASTIC(UL94V-0)
 SHELL
 COPPER ALLOY
 UNDER ALL SURFACE Ni
 TOP ALL SURFACE Sn

△2 COPLANARITY 0.1 MAX(TOP OF LEAD)

△3 DIMENSION DECIDED BY CUSTOMER.



推奨基板寸法(実装面側) ±1.6
 RECOMMENDED BOARD DIMENSION
 (CONNECTOR SIDE) ±1.6

EMBOSS TAPING (SEE SHEET 2 OF 2)	TYPE II	2069552-2
EMBOSS TAPING (SEE SHEET 2 OF 2)	TYPE I	2069552-1
PACKAGING STYLE	D-SHAPE	PART NO.

THIS DRAWING IS A CONTROLLED DOCUMENT.		DWN S. INOMATA 12NOV2008
		CHK I. HASAGAWA 12NOV2008
		APVD I. HASAGAWA 12NOV2008
DIMENSIONS: 単位: 概 mm		PRODUCT SPEC 108-78405
TOLERANCES UNLESS OTHERWISE SPECIFIED:		APPLICATION SPEC 取付適用規格
一般公差 ±0.2		WEIGHT -
0 PLC ±		
1 PLC ±		
2 PLC ±		
3 PLC ±		
4 PLC ±		
ANGLES ±		
MATERIAL 材料	FINISH 仕上	Customer Drawing

TE TE Connectivity			
NAME 名称 INDUSTRIAL MINI I/O CONN. 1.27MM PITCH 8P HDR ASSY D-SHAPE TYPE I EMBOSS TAPING			
SIZE A3	CAGE CODE -	DRAWING NO. 2069552	RESTRICTED TO -
SCALE 尺度 4:1		SHEET 1 OF 2	REV B

THIS DRAWING IS UNPUBLISHED.

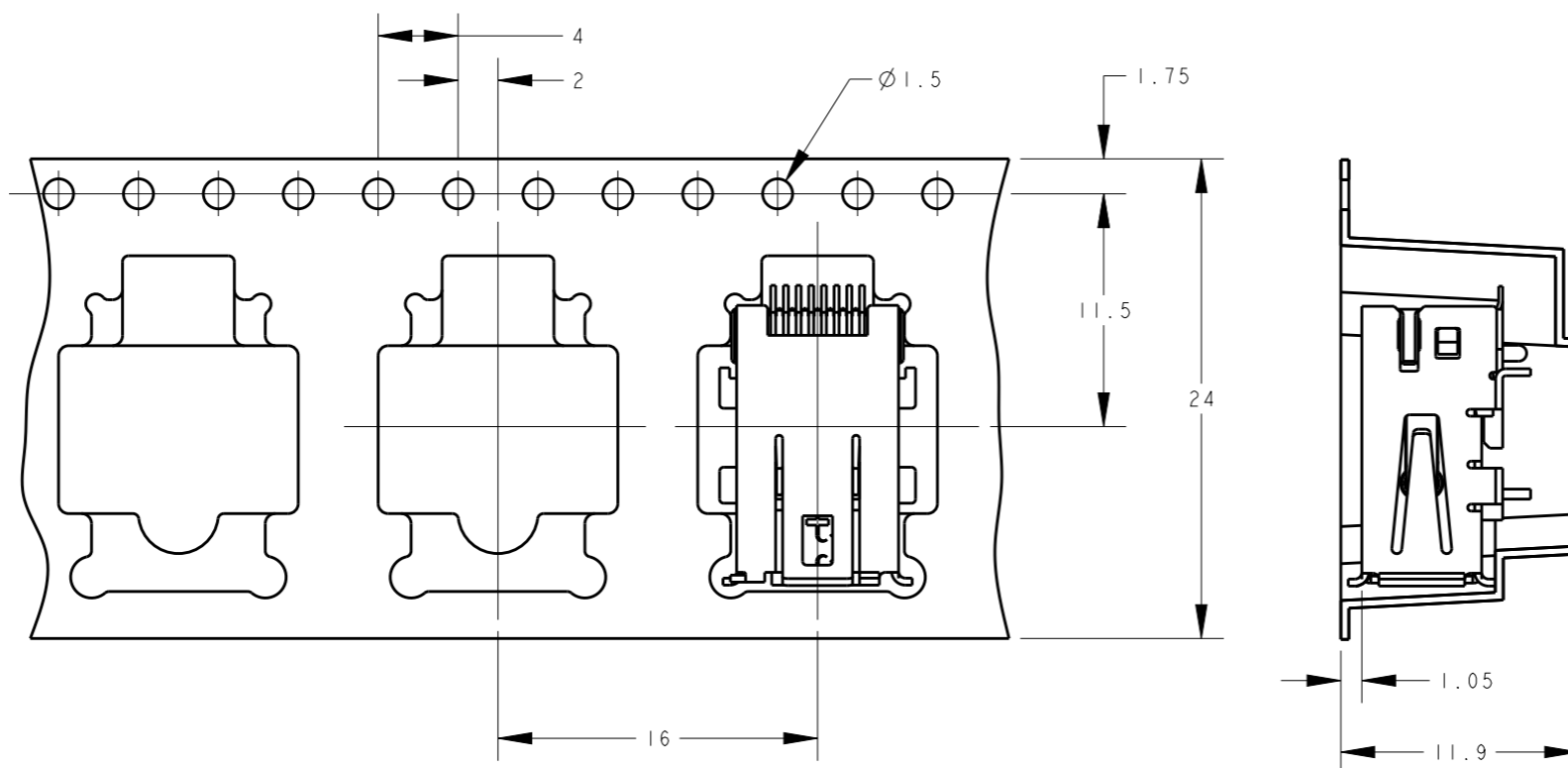
RELEASED FOR PUBLICATION

© COPYRIGHT - BY - ALL RIGHTS RESERVED.

REVISIONS

P	LTR	DESCRIPTION	DATE	DWN	APVD
-	-	SEE SHEET 1	-	-	-

繰り出し方向
UNREEL DIRECTION →



- 4. 材質: 伝導性ポリスチレン(±0.4mm)
- 5. 製品入り数: 300以上/1リール

- 4. MATERIAL : CONDUCTIVE POLY STYLENE(±0.4mm)
- 5. PRODUCT QUANTITY : 300MIN/1REEL

THIS DRAWING IS A CONTROLLED DOCUMENT.

DIMENSIONS: mm		TOLERANCES UNLESS OTHERWISE SPECIFIED: ±0.5	
		0 PLC	±
		1 PLC	±
		2 PLC	±
		3 PLC	±
		4 PLC	±
MATERIAL		FINISH	
-		-	

DWN
CHK
APVD
PRODUCT SPEC
APPLICATION SPEC
WEIGHT
Customer Drawing



NAME INDUSTRIAL MINI I/O CONN. 1.27MM PITCH 8P HDR ASSY D-SHAPE TYPE I EMBOSS TAPING			
SIZE A3	CAGE CODE -	DRAWING NO C-2069552	RESTRICTED TO -
SCALE 4:1		SHEET 1 OF 2	REV B