



Chipsmall Limited consists of a professional team with an average of over 10 year of expertise in the distribution of electronic components. Based in Hongkong, we have already established firm and mutual-benefit business relationships with customers from,Europe,America and south Asia,supplying obsolete and hard-to-find components to meet their specific needs.

With the principle of “Quality Parts,Customers Priority,Honest Operation,and Considerate Service”,our business mainly focus on the distribution of electronic components. Line cards we deal with include Microchip,ALPS,ROHM,Xilinx,Pulse,ON,Everlight and Freescale. Main products comprise IC,Modules,Potentiometer,IC Socket,Relay,Connector.Our parts cover such applications as commercial,industrial, and automotives areas.

We are looking forward to setting up business relationship with you and hope to provide you with the best service and solution. Let us make a better world for our industry!



Contact us

Tel: +86-755-8981 8866 Fax: +86-755-8427 6832

Email & Skype: info@chipsmall.com Web: www.chipsmall.com

Address: A1208, Overseas Decoration Building, #122 Zhenhua RD., Futian, Shenzhen, China



THIS DRAWING IS UNPUBLISHED.

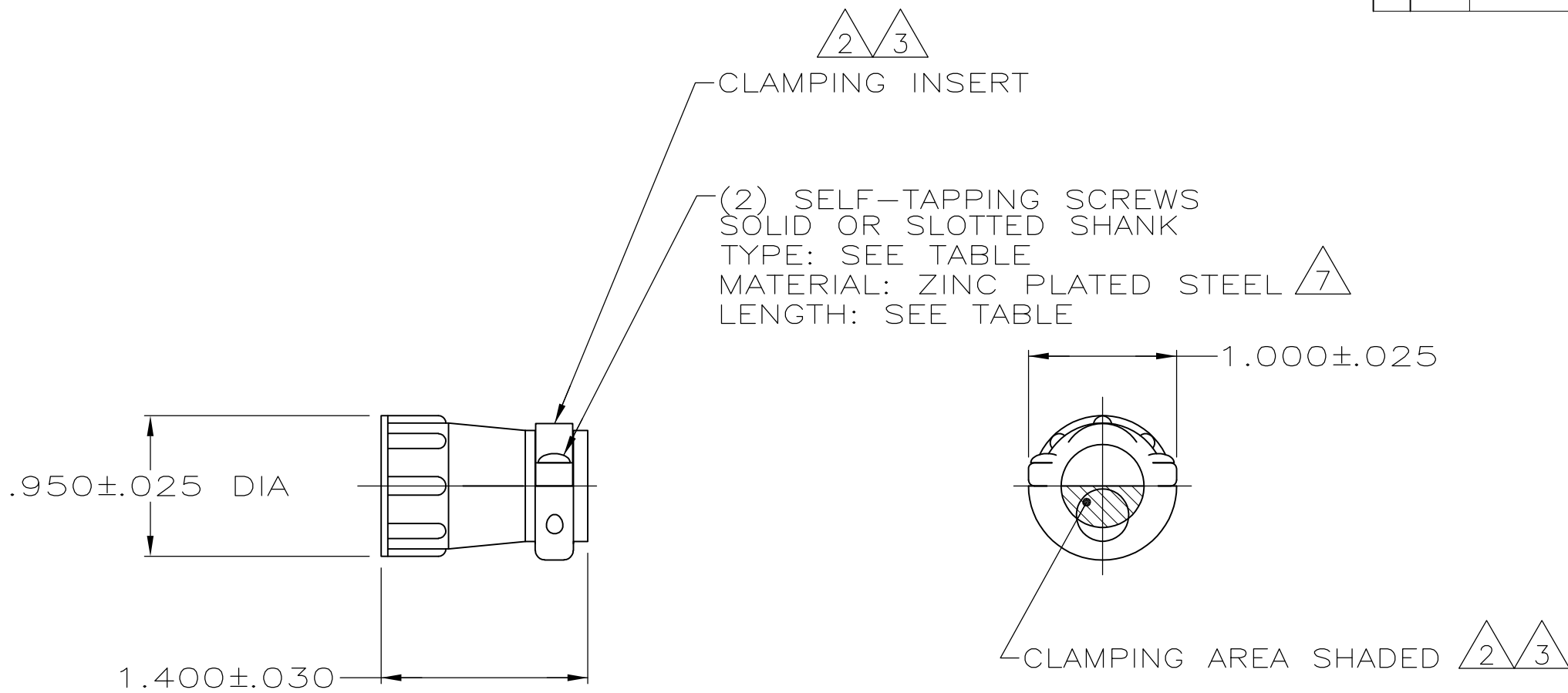
RELEASED FOR PUBLICATION

ALL RIGHTS RESERVED.

LOC FT DIST 0

REVISIONS

P	LTR	DESCRIPTION	DATE	DWN	APVD
	M3	REVISED PER ECO-11-004587	11MAR11	RK	HMR



	PACKAGING	SCREW LENGTH	SCREW TYPE	PART NUMBER
(2) (3) (5) BULK		$.50 \pm .005$	#5-20	206966-9
(8) (2) (7) OBSOLETE	SMALL PACK	$.50 \pm .005$	#5-20	206966-8
(2) (3) (5) INDIVIDUAL		$.50 \pm .005$	#5-20	206966-7
(8) (7) OBSOLETE	SMALL PACK	$.50 \pm .005$	#5-20	206966-6
(2) AMP BRAZIL USE ONLY	INDIVIDUAL	$12\text{mm} \pm .0$	3mm-20	(6) 206966-5
	INDIVIDUAL	$.50 \pm .005$	#5-20	(6) 206966-4
(7) SUPERSEDED BY 206966-9	(5) BULK	$.50 \pm .005$	#5-20	206966-2
(7) SUPERSEDED BY 206966-7	INDIVIDUAL	$.50 \pm .005$	#5-20	206966-1

- 1 PARTS PACKAGED UNASSEMBLED.
- (2) CABLE CLAMPING AREA ADJUSTABLE FROM .010 TO .161 SQ IN BY REVERSING CLAMPING INSERTS. (2 INSERTS SUPPLIED).
- (3) CABLE CLAMPING AREA ADJUSTABLE FROM .010 TO .161 SQ IN BY CHANGING CLAMPING INSERTS. (4 INSERTS SUPPLIED, -4 ONLY).
- 4 .453 MAXIMUM CABLE OUTSIDE DIAMETER.
- (5) BULK PACKAGED KITS TO BE ORDERED IN MULTIPLES OF 200 ONLY.
- (6) OBSOLETE PART NUMBER.
- (7) ZINC PLATED NON-HEXAVALENT CHROMATE.
- (8) OBSOLETE PARTS: OBSOLETE CIS STREAMLINING PER D.RENAUD/D.SINISI

THIS DRAWING IS A CONTROLLED DOCUMENT.

DIMENSIONS: INCHES	TOLERANCES UNLESS OTHERWISE SPECIFIED:	DWN A GRAFF 4/23/91	TE Connectivity CABLE CLAMP KIT, STANDARD, SHELL SIZE 13, CPC
	0 PLC ± -	CHK W.G.LENKER 7-23-92	
	1 PLC ± -	APVD -	
	2 PLC ± -	PRODUCT SPEC 108-10024	
MATERIAL THERMOPLASTIC	FINISH -	APVD -	RESTRICTED TO -

APPLICATION SPEC -

WEIGHT -

CUSTOMER DRAWING

SIZE A3 CAGE CODE 00779 DRAWING NO C-206966

SCALE NTS SHEET 1 OF 1 REV M3