



Chipsmall Limited consists of a professional team with an average of over 10 year of expertise in the distribution of electronic components. Based in Hongkong, we have already established firm and mutual-benefit business relationships with customers from,Europe,America and south Asia,supplying obsolete and hard-to-find components to meet their specific needs.

With the principle of “Quality Parts,Customers Priority,Honest Operation,and Considerate Service”,our business mainly focus on the distribution of electronic components. Line cards we deal with include Microchip,ALPS,ROHM,Xilinx,Pulse,ON,Everlight and Freescale. Main products comprise IC,Modules,Potentiometer,IC Socket,Relay,Connector.Our parts cover such applications as commercial,industrial, and automotives areas.

We are looking forward to setting up business relationship with you and hope to provide you with the best service and solution. Let us make a better world for our industry!



Contact us

Tel: +86-755-8981 8866 Fax: +86-755-8427 6832

Email & Skype: info@chipsmall.com Web: www.chipsmall.com

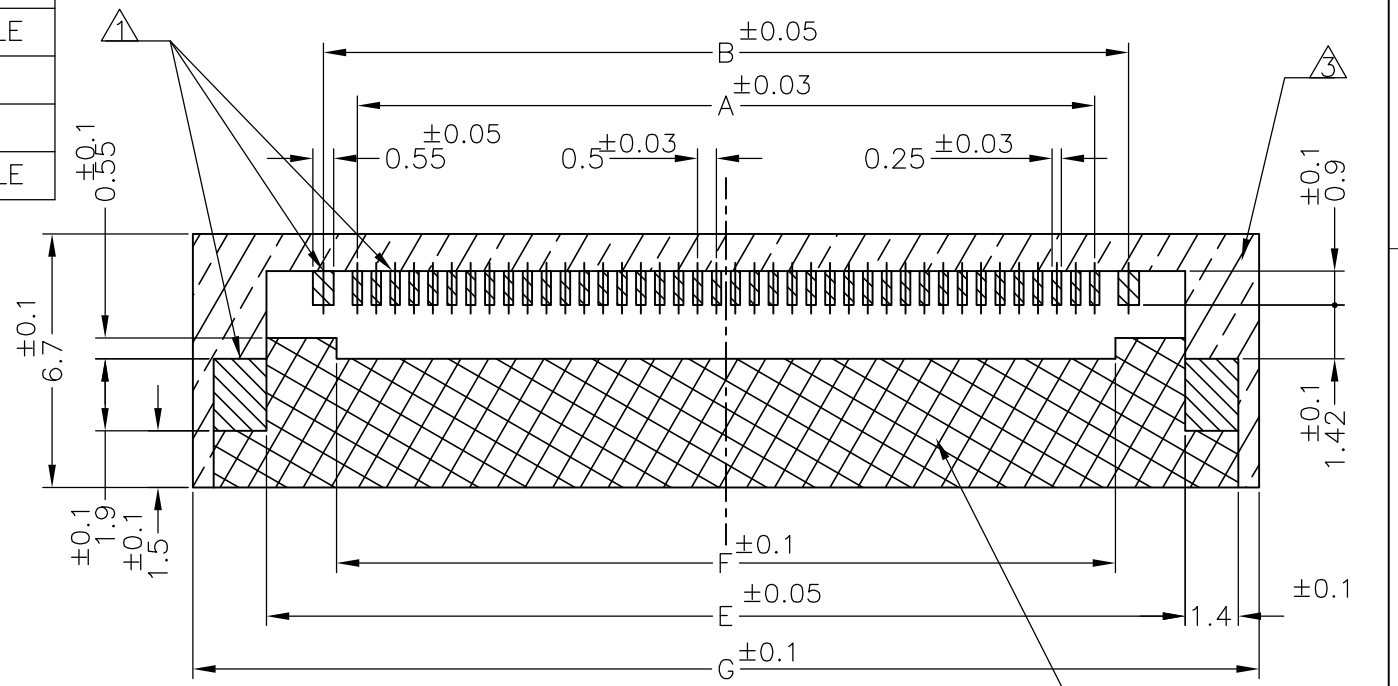
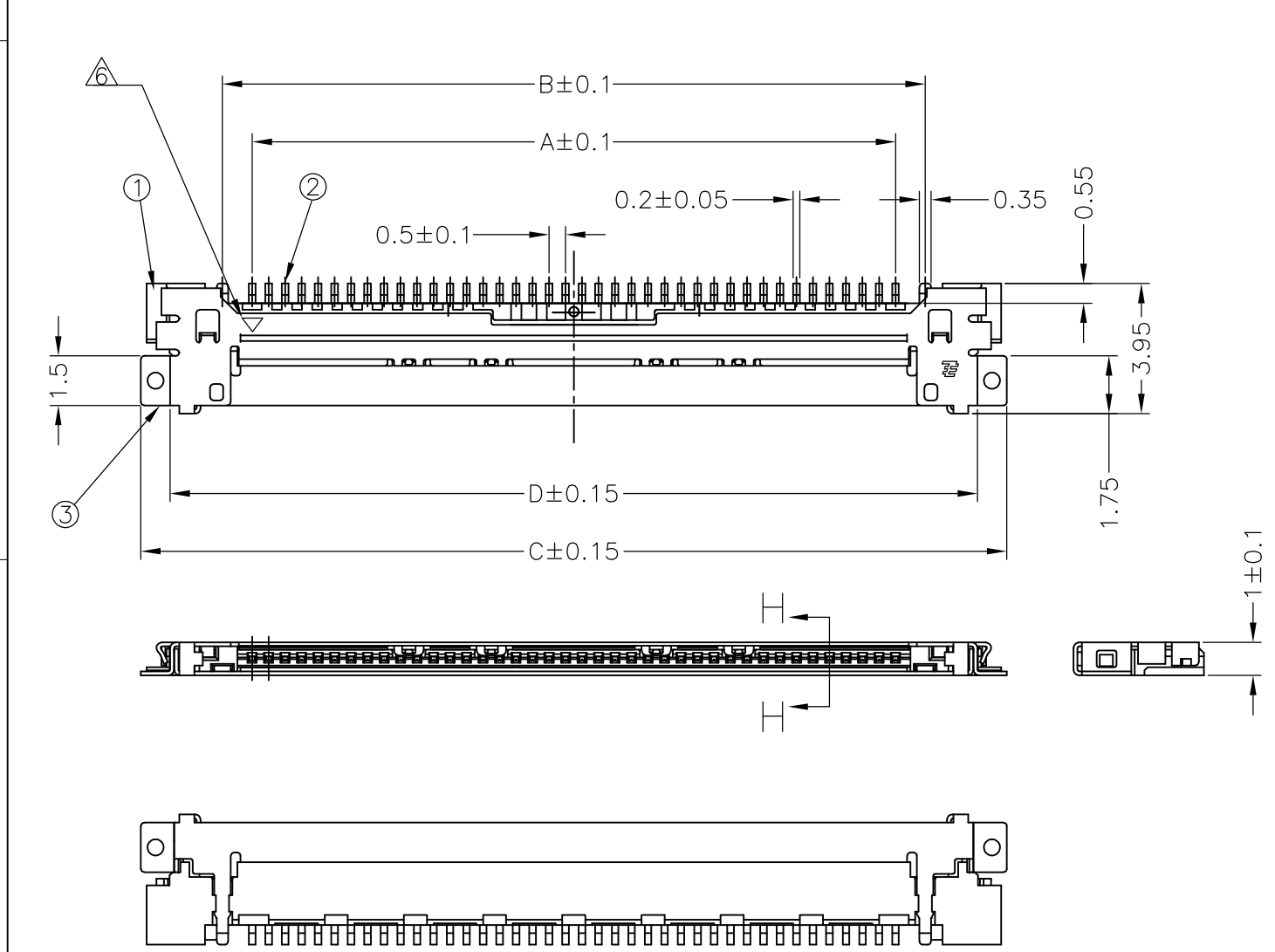
Address: A1208, Overseas Decoration Building, #122 Zhenhua RD., Futian, Shenzhen, China



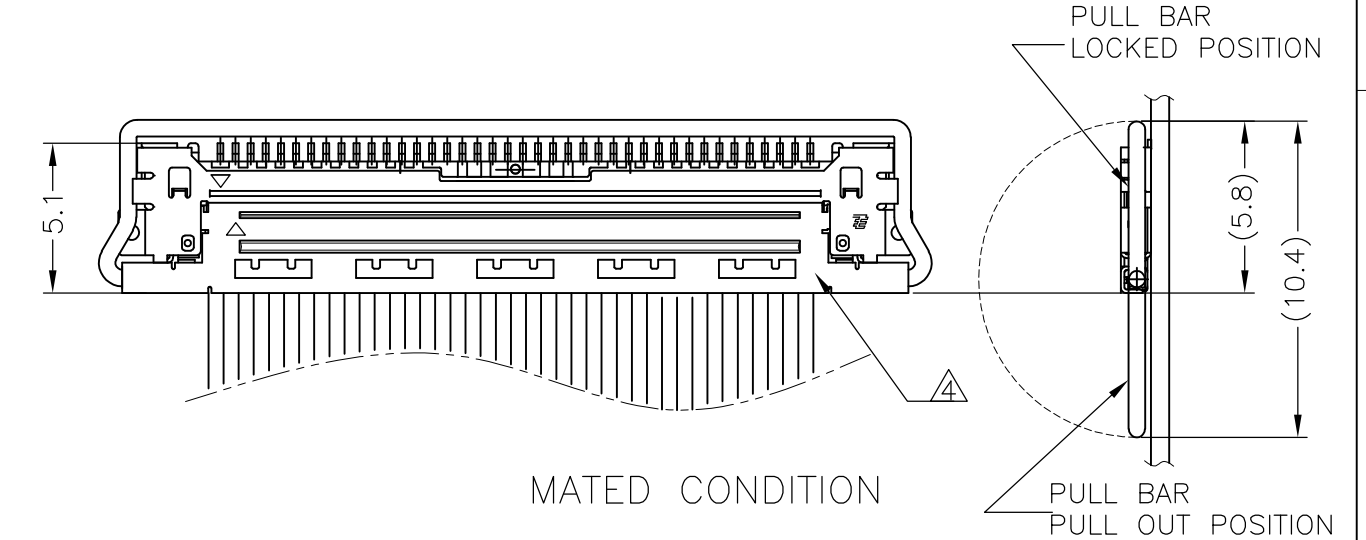
THIS DRAWING IS UNPUBLISHED.		RELEASED FOR PUBLICATION								
© COPYRIGHT - By -		ALL RIGHTS RESERVED.								
PART NO.	POS NO.	A	B	C	D	E	F	G	DATUM MARK \triangle	TOOLING STATUS
2069716-3	40	19.5	21.3	26.25	24.47	24.3	20.6	28.2	WITHOUT DATUM MARK	AVAILABLE
2069716-2	30	14.5	16.3	21.25	19.47	19.3	15.6	23.2		NOT AVAILABLE
2069716-1	20	9.5	11.3	16.25	14.47	14.3	10.6	18.2		NOT AVAILABLE
5-2069716-3	40	19.5	21.3	26.25	24.47	24.3	20.6	28.2	WITH DATUM MARK	AVAILABLE
5-2069716-2	30	14.5	16.3	21.25	19.47	19.3	15.6	23.2		Ⓜ OBSOLETE
5-2069716-1	20	9.5	11.3	16.25	14.47	14.3	10.6	18.2		NOT AVAILABLE

REVISIONS				
P	LTR	DESCRIPTION	DATE	APVD
	A2	REVISED (ECR-16-004581)	18APR2016	C.H A.K

5-2069716-3 AS SHOWN

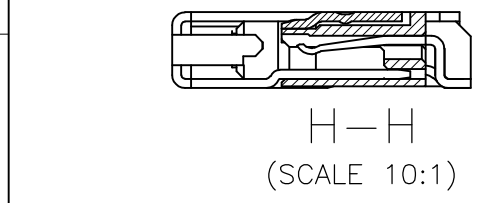


REFERENCE PWB LAYOUT

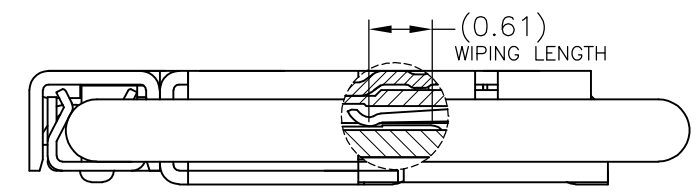


MATED CONDITION

③	SHELL	COPPER ALLOY, Au OVER Ni
②	CONTACT	COPPER ALLOY, Au OVER Ni
①	HOUSING	HIGH TEMP. THERMOPLASTIC, UL94V-0, BLACK
ITEM	PART NAME	MATERIAL & FINISH



H-H
(SCALE 10:1)



MATED CONDITION
(REFERENCE)

- \triangle SOLDERING AREA
- \square RESIST OR GND AREA
- \square PULL BAR MOVEMENT AREA
- \triangle THE CONNECTOR SHOULD BE PLUGGED WITH 2069715-3.
- 5. COPLANARITY 0.1MAX
- \triangle DATUM MARK
- 7. INSTRUCTION SHEET 411-78355

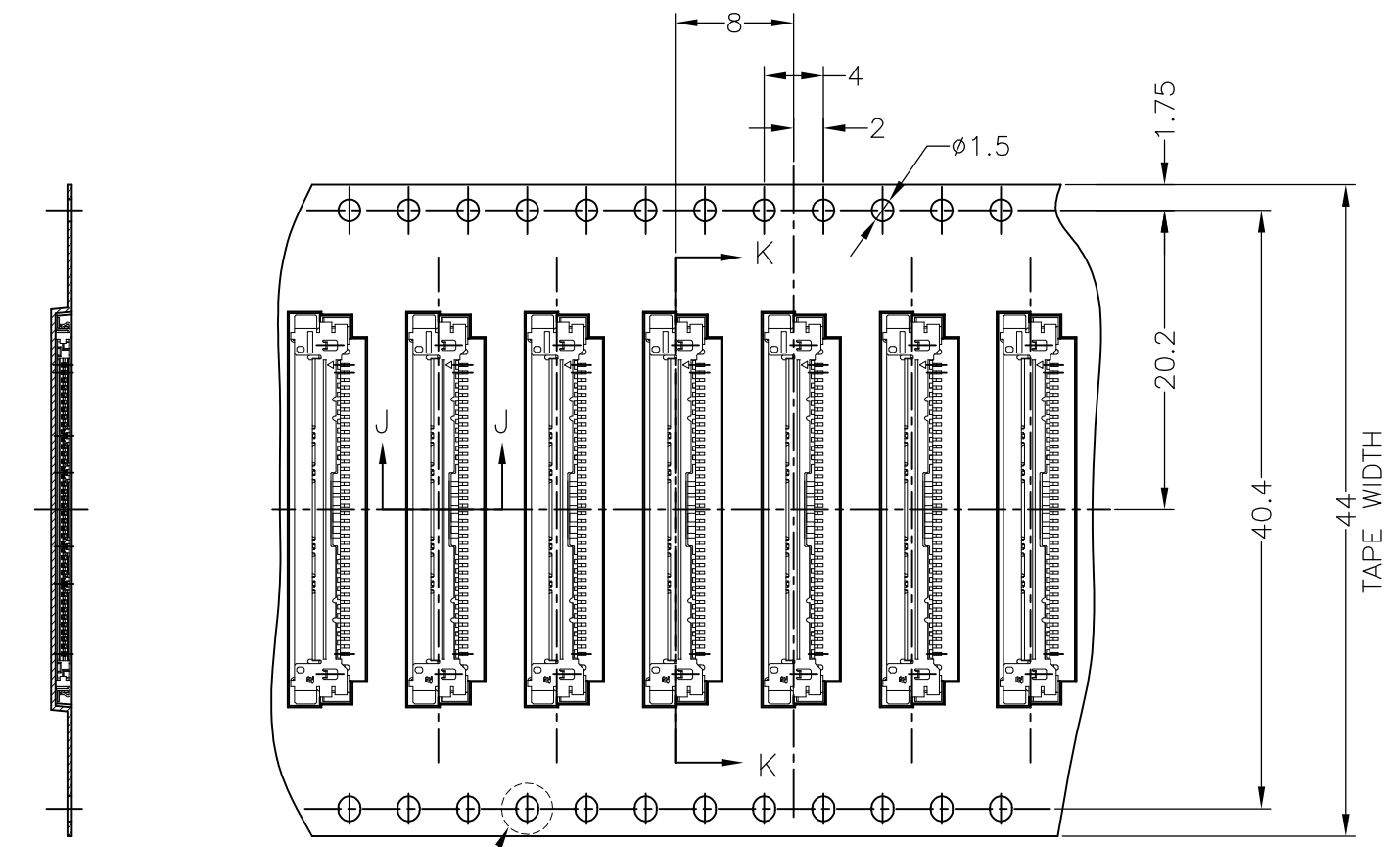
THIS DRAWING IS A CONTROLLED DOCUMENT.		DWN Y.SHINO 18SEP2009
DIMENSIONS: mm		CHK S.KAJINUMA 18SEP2009
TOLERANCES UNLESS OTHERWISE SPECIFIED:		APVD S.KAJINUMA 18SEP2009
0 RLC	± -	NAME LCD COAXIAL EMBEDDED DISPLAY INTERFACE (LCEDI) 0.5mm PITCH RECEPTACLE ASSEMBLY
1 PLC	± - ±0.2	
2 PLC	± - ±2°	
3 PLC	± - ±2°	
4 PLC	± - ± -	
MATERIAL	FINISH	PRODUCT SPEC 108-78659
		APPLICATION SPEC
		SIZE A3
		CAGE CODE 00779
		DRAWING NO C-2069716
		RESTRICTED TO
CUSTOMER DRAWING		SCALE 5:1
		SHEET 1 OF 2
		REV A2

THIS DRAWING IS UNPUBLISHED. RELEASED FOR PUBLICATION
 © COPYRIGHT - By - ALL RIGHTS RESERVED.

REVISIONS					
P	LTR	DESCRIPTION	DATE	DWN	APVD
-	-	SEE SHEET 1	-	-	-

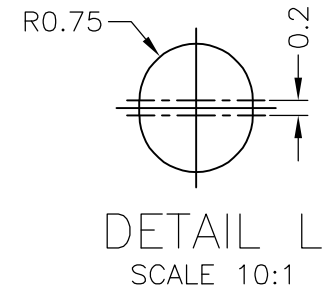
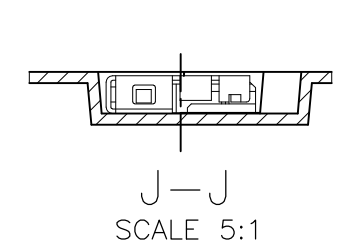
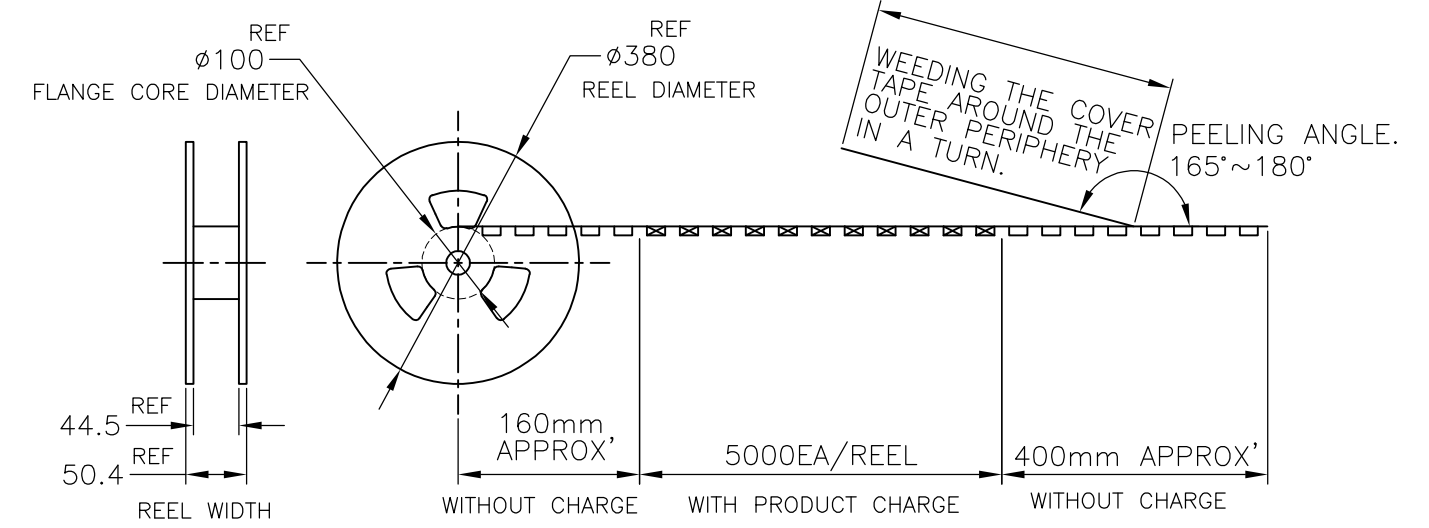
EMBOSS PACKING CONDITION

DIRECTION OF TOP OF REEL →



K-K

DETAIL L



THIS DRAWING IS A CONTROLLED DOCUMENT.		DWN	TE Connectivity LCD COAXIAL EMBEDDED DISPLAY INTERFACE (LCEDI) 0.5mm PITCH CONNECTOR RECEPTACLE ASSEMBLY				
DIMENSIONS: mm		CHK					
TOLERANCES UNLESS OTHERWISE SPECIFIED:		APVD					
0 PLC ± 0.3 1 PLC ± 0.3 2 PLC ± 0.3 3 PLC ± 0.3 4 PLC ± - ANGLES ± 3°		PRODUCT SPEC					
MATERIAL		FINISH	APPLICATION SPEC	SIZE	CAGE CODE	DRAWING NO	RESTRICTED TO
			WEIGHT	A3	00779	C-2069716	
CUSTOMER DRAWING			SCALE	SHEET	REV		
			2:1	2 OF 2	A2		